

目录 Contents

执行元件
Execution Element



- | | |
|---|--|
|  | A-01 标准气缸理论出力表 Standard Cylinder Theory Output Sheet |
|  | A-02 SC/SU系列标准气缸 SC/SU Series Standard Cylinder |
|  | A-06 SCL系列带锁型标准气缸(拉杆式) SCL Series Standard Cylinder With Lock (Pull Rod Type) |
|  | A-08 XNC系列ISO15552 标准气缸 XNC Series ISO15552 Standard Cylinder |
|  | A-10 XNG系列标准气缸(符合ISO15552标准) XNG Series ISO15552 Standard Cylinder |
|  | A-11 SI系列ISO15552标准气缸 SI Series ISO15552 Standard Cylinder |
|  | A-12 SID系列ISO15552标准气缸 SID Series ISO15552 Standard Cylinder |
|  | A-13 SIJ系列ISO15552标准气缸 SIJ Series ISO15552 Standard Cylinder |
|  | A-14 ISO15552 标准气缸安装附件 Mounting and Accessories for ISO15552 Standard Cylinder |
|  | A-17 CA2系列标准气缸(Ø40~Ø100) CA2 Series Standard Cylinder (Ø40~Ø100) |
|  | A-20 CMB系列气缸 CMB Series Cylinder |
|  | A-22 SCQA系列标准气缸 SCQA Series Standard Cylinder |
|  | A-24 SCQA-AH系列空油转换缸 SCQA-AH Series Air/Oil Converter |
|  | A-25 AKS系列夹持气缸 AKS Series Clamping Cylinder |
|  | A-27 MK系列回转夹紧气缸 MK Series Rotary Clamping Cylinder |
|  | A-30 XSN系列ISO6432标准气缸 XSN Series ISO6432 Standard Cylinder |
|  | A-32 XSN系列ISO6432标准气缸附件 XSN Series ISO6432 Standard Cylinder Accessory |
|  | A-33 SEN/SENG导向装置及导向驱动装置标准气缸 Guide Units SEN/SENG for Standard Cylinders |
|  | A-35 MA不锈钢迷你缸 MA Stainless Steel Mini Cylinder |
|  | A-39 MAL铝合金迷你缸 MAL Aluminum Alloy Mini Cylinder |
|  | A-43 CM2系列标准气缸(Ø20~Ø40) CM2 Series Standard Cylinder (Ø20~Ø40) |
|  | A-45 CJ2系列标准气缸(双作用 Ø6~Ø16) CJ2 Series Standard Cylinder (Double Acting Ø6~Ø16) |
|  | A-47 C85系列欧洲标准气缸 C85 Series Europe Standard Cylinder |
|  | A-49 ACQ系列超薄气缸 ACQ Series Thin Type Cylinder |
|  | A-52 SDA薄型气缸 SDA Compact Cylinder |

目录 Contents

-  **A-56** CQ2系列薄型气缸
CQ2 Series Compact Cylinder
-  **A-58** TN系列气缸
TN Series Cylinder
-  **A-60** CXS系列双联气缸/基本型(Ø6~Ø32)
CXS Series Twin Rod Cylinder/Basic Type (Ø6~Ø32)
-  **A-62** CDU系列自由安装气缸(Ø6~Ø32)
CDU Series Free Installation Cylinder (Ø6~Ø32)
-  **A-65** MGP新薄型带导杆气缸(Ø20~Ø100)
MGP New Compact Tri-rod Cylinder (Ø20~Ø100)
-  **A-70** CPT系列标准型增压缸
CPT Series Booster Cylinder (Hydraulic pneumatic cylinder)
-  **A-72** CPTF系列快速型增压缸
CPTF Series Fast Type Pressurize Cylinder
-  **A-74** CYG系列快速型增压缸
CYG Series Fast Type Pressurize Cylinder
-  **A-75** CY1₈系列无杆气缸
CY1₈ Series Rodless Cylinder
-  **A-76** ZNG40阻尼缸
ZNG40 Damping Cylinder
-  **A-77** 磁感应开关
Magnetism Sensor Switch

电磁阀 Solenoid

-  **B-01** 4V100系列电磁阀、气控阀
4V100 Series Solenoid Valve, Pneumatic Control Valve
-  **B-05** 4V200系列电磁阀、气控阀
4V200 Series Solenoid Valve, Pneumatic Control Valve
-  **B-10** 4V300系列电磁阀、气控阀
4V300 Series Solenoid Valve, Pneumatic Control Valve
-  **B-14** 4V400系列电磁阀、气控阀
4V400 Series Solenoid Valve, Pneumatic Control Valve
-  **B-16** 100-400系列底座
100 - 400 Series Base
-  **B-17** 3V1系列电磁阀
3V1 Series Solenoid Valve
-  **B-18** VF、VZ系列电磁阀
VF, VZ Series Solenoid Valve
-  **B-21** MSVD-600系列电磁阀
MSVD-600 Series Solenoid Valve
-  **B-23** 2W(UD)系列电磁阀
2W (UD) Series Solenoid Valve
-  **B-24** 2W(UW)系列电磁阀(大口径)
2W (UW) Series Solenoid Valve (Large Aperture)
-  **B-26** 2L(US)系列电磁阀
2L(US) Series Solenoid Valve
-  **B-28** PU系列电磁阀
PU Series Solenoid Valve
-  **B-29** 二位二通活塞式多介质角座阀系列
2/2 way Piston-operated Angle-seat Valves for Neutral and Aggressive Liquids and Gases

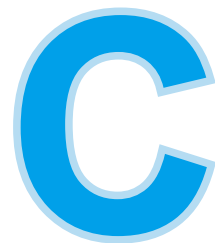
B

目录 Contents

-  **B-31** MOV系列机械阀
MOV Series Mechanical valve
-  **B-32** JM系列机械阀
JM Series Mechanical Valve
-  **B-33** MSV系列机械阀
MSV Series Mechanical Valve
-  **B-35** 脚踏阀
Foot Valve
-  **B-38** 手扳阀
Hand Level Valve
-  **B-41** 手转阀
Hand-switching Valve
-  **B-42** 手拉阀
Hand-draw Valve
-  **B-43** MV系列手滑阀
MV Series Hand Sliding Valve
-  **B-44** KA系列单向阀
KA Series Check Valve
-  **B-45** 梭阀
Shuttle Valve
-  **B-46** 快速排气阀
Quick Exhaust Valve
-  **B-47** AQ系列快速排气阀
AQ Series Quick Exhaust Valve
-  **B-47** XQ系列快速排气阀
XQ Series Quick Exhaust Valve
-  **B-48** KLA系列单向节流阀
KLA Series Flow control valve
-  **B-50** 流量控制阀
ASC series Flow Control Valve
-  **B-52** 2V系列二位二通电磁阀
2V Series Two-position Two-way Solenoid Valve
-  **B-54** 2Q系列气控二通阀
2Q Series Air Control Two-Way Valve
-  **B-55** VX系列二位二通电磁阀
VX Series Two-position Two-way Solenoid Valve
-  **B-56** Q22HD系列流体气控制阀
Q22HD Series Fluid Air Control Valve

气源处理元件 Air Source Treatment Unit




-  **C-01** COU系列气源处理件
COU Series Air Source Treatment Unit
-  **C-03** COFR系列过滤调压阀
COFR Series Filter & Regulator
-  **C-05** COR系列调压阀
COR Series Regulator
-  **C-06** COF系列空气过滤器
COF Series Air Filter
-  **C-07** COL系列油雾器
COL Series Lubricator



目录 Contents

| | | |
|---|-------------|--|
|  | C-08 | CAC1000~5000系列空气过滤组合（三联件） CAC1000~5000 Series Air Filter Combination (F.R.L Combination) |
|  | C-09 | CAC1010~5010系列空气过滤组合（二联件） CAC1010~5010 Series Air Filter Combination (FR.L Combination) |
|  | C-10 | CAF1000~5000系列空气过滤器 CAF1000~5000 Series Air Filter |
|  | C-11 | CAR1000~5000系列减压阀 CAR1000~5000 Series Regulator |
|  | C-12 | CAW1000~5000系列过滤减压阀 CAW1000~5000 Series Filter & Regulator |
|  | C-13 | CAL1000~5000系列油雾器 CAL1000~5000 Series Lubricator |
|  | C-14 | AFC、BFC系列二点组合（二联件） AFC,BFC Series Two-point Combination (FR.LCombination) |
|  | C-15 | AF、BF系列过滤器 AF, BF Series Filter |
|  | C-16 | AR、BR系列调压阀 AR, BR Series Regulator |
|  | C-17 | AFR、BFR系列过滤调压阀 AFR, BFR Series Filter & Regulator |
|  | C-18 | AL、BL系列油雾器 AL, BL Series Lubricator |
|  | C-19 | P1H / PTH系列过滤器/调压阀和润滑器 P1H / PTH Series Filter / Regulator and Lubricator |
|  | C-19 | R07系列管式调压阀 R07 Series Tubular Type Regulator |
|  | C-20 | B07系列管式过滤器-调压阀 B07 Series Tubular Type Filter-Regulator |
|  | C-20 | L07微型系列润滑器 L07 Series Lubricator 1/8 " and 1/4 " Port Sizes |
|  | C-21 | R72系列调压阀 R72 Series Regulator (G1/4 to G3/8) |
|  | C-21 | B72系列过滤调压阀 B72 Series Filter / Regulator (G1/4 to G3/8) |
|  | C-22 | L72系列油雾器 L72 Series Lubricator (G1/4 to G3/8) |
|  | C-22 | BL72系列组合件-过滤器/调压阀和润滑器 BL72 Series Combination Units Filter / Regulator and Lubricators (G1/4 to G3/8) |

气动辅件
Pneumatic Accessory

| | | |
|---|-------------|----------------------------|
|  | D-01 | 快速接头 Tube Fitting |
|  | D-05 | 金属快速接头 Metal Fast Joint |
|  | D-05 | 消声器 Silencer |
|  | D-05 | PU管/尼龙 PU Tubing/Nylon |



系列标准气缸 Series Standard Cylinder

行程 | Stroke

| 内径 Bore(mm) | 标准行程 Standard Stroke | 最大行程 Max. Stroke | 容许行程 Permissible Stroke |
|----------------|--|---------------------|----------------------------|
| 32 | 25 50 75 80 100 125 150 160 175 200 250 300 350 400 450 500 | 1000 | 2000 |
| 40 | 25 50 75 80 100 125 150 160 175 200 250 300 350 400 450 500 600 700 800 | 1200 | 2000 |
| 50 | 25 50 75 80 100 125 150 160 175 200 250 300 350 400 450 500 600 700 800 900 1000 | 1200 | 2000 |
| 63 | 25 50 75 80 100 125 150 160 175 200 250 300 350 400 450 500 600 700 800 900 1000 | 1500 | 2000 |
| 80 | 25 50 75 80 100 125 150 160 175 200 250 300 350 400 450 500 600 700 800 900 1000 | 1500 | 2000 |
| 100 | 25 50 75 80 100 125 150 160 175 200 250 300 350 400 450 500 600 700 800 900 1000 | 1500 | 2000 |
| 125 | 25 50 75 80 100 125 150 160 175 200 250 300 350 400 450 500 600 700 800 900 1000 | 1500 | 2000 |
| 160 | 25 50 75 80 100 125 150 160 175 200 250 300 350 400 450 500 600 700 800 900 1000 | 1500 | 2000 |
| 200 | 25 50 75 80 100 125 150 160 175 200 250 300 350 400 450 500 600 700 800 900 1000 | 1500 | 2000 |

气缸理论出力表 | Cylinder theory output Sheet

| 气缸内径 Cylinder Inside Diameter | 32 | 40 | 50 | 63 | 80 | 100 | 125 | 160 | 200 | | | | | | | | | | | |
|---|----------------------|-----------------|----------------------|-----------------|----------------------|-----------------|----------------------|-----------------|----------------------|-----------------|----------------------|-----------------|----------------------|-----------------|----------------------|-----------------|----------------------|-----------------|----------------------|-----------------|
| 活塞杆外径 External Diameter of Piston Rod | 12 | 16 | 20 | 20 | 25 | 25 | 32 | 40 | 40 | | | | | | | | | | | |
| 动作型式 Motion Pattern | 复动型 Double Action | | 复动型 Double Action | | 复动型 Double Action | | 复动型 Double Action | | 复动型 Double Action | | 复动型 Double Action | | 复动型 Double Action | | 复动型 Double Action | | 复动型 Double Action | | 复动型 Double Action | |
| | 压侧 Pressure Side | 拉侧 Pull Side | 压侧 Pressure Side | 拉侧 Pull Side | 压侧 Pressure Side | 拉侧 Pull Side | 压侧 Pressure Side | 拉侧 Pull Side | 压侧 Pressure Side | 拉侧 Pull Side | 压侧 Pressure Side | 拉侧 Pull Side | 压侧 Pressure Side | 拉侧 Pull Side | 压侧 Pressure Side | 拉侧 Pull Side | 压侧 Pressure Side | 拉侧 Pull Side | 压侧 Pressure Side | 拉侧 Pull Side |
| 受压面积 (cm ²) Compression Area | 8.04 | 6.90 | 12.56 | 10.55 | 19.63 | 16.49 | 31.17 | 28.03 | 50.26 | 45.36 | 78.53 | 73.62 | 122.70 | 114.60 | 201.00 | 188.40 | 314.20 | 301.40 | | |
| 空气压力 Air Pressure (Kg/cm ²) | 1 | 8.04 | 6.90 | 12.56 | 10.55 | 19.63 | 16.49 | 31.17 | 28.03 | 50.26 | 45.36 | 78.53 | 73.62 | 122.70 | 114.60 | 201.00 | 188.40 | 314.20 | 301.40 | |
| | 2 | 16.08 | 13.80 | 25.12 | 21.10 | 39.26 | 32.98 | 62.34 | 56.06 | 100.52 | 90.72 | 157.06 | 147.24 | 245.40 | 229.20 | 402.00 | 376.80 | 628.40 | 602.80 | |
| | 3 | 24.12 | 20.70 | 37.68 | 31.65 | 58.89 | 49.47 | 93.51 | 84.09 | 150.78 | 136.08 | 235.59 | 220.86 | 368.10 | 343.80 | 603.00 | 565.20 | 942.60 | 904.20 | |
| | 4 | 32.16 | 27.60 | 50.24 | 42.20 | 78.52 | 65.96 | 124.68 | 112.12 | 201.04 | 181.44 | 314.12 | 294.48 | 490.80 | 458.40 | 804.00 | 753.60 | 1256.80 | 1205.60 | |
| | 5 | 40.20 | 34.50 | 62.80 | 52.75 | 98.15 | 82.45 | 155.85 | 140.15 | 251.30 | 226.80 | 392.65 | 368.10 | 613.50 | 573.00 | 1005.00 | 942.00 | 1571.00 | 1507.00 | |
| | 6 | 48.24 | 41.40 | 75.36 | 63.30 | 117.78 | 98.94 | 187.02 | 168.18 | 301.56 | 272.16 | 471.18 | 441.72 | 736.20 | 687.60 | 1206.00 | 1130.40 | 1885.20 | 1808.40 | |
| | 7 | 56.28 | 48.30 | 87.92 | 73.85 | 137.41 | 115.43 | 218.19 | 196.21 | 351.82 | 317.52 | 549.71 | 515.34 | 858.90 | 802.20 | 1407.00 | 1318.80 | 2199.40 | 2109.80 | |
| | 8 | 64.32 | 55.20 | 100.48 | 84.40 | 157.04 | 131.92 | 249.36 | 224.24 | 402.08 | 362.88 | 628.24 | 588.96 | 981.60 | 916.80 | 1608.00 | 1507.20 | 2513.60 | 2411.20 | |
| | 9 | 72.36 | 62.10 | 113.04 | 94.95 | 176.67 | 148.41 | 280.53 | 252.27 | 452.34 | 408.24 | 706.77 | 662.58 | 1104.30 | 1031.40 | 1809.00 | 1695.60 | 2827.80 | 2712.60 | |

SC/SU系列标准气缸

SC/SU Series Standard Cylinder



订购码 | Ordering Code

SC - **D** - **50** X **50** - **25** - **S** - **LB**

系列代号
SC: 拉杆式
SU: 拉杆内藏式
Series Code
SC: Pull Rod Type
SU: Hidden Pull Rod Type

空白: 标准复动型
D: 双轴复动型
J: 双轴可调行程型
Blank: Standard Double Action
D: Double-shaft Double Action
J: Double-shaft and Adjustable Stroke Type

缸径
Cylinder Bore
行程
Stroke

SCJ可调行程
SUJ可调行程
SCJ adjustable stroke type
SUJ adjustable stroke type

磁石代号
S: 附磁石
空白: 不附磁石
Magnet Code
S: With Magnet
Blank: Without Magnet

固定型式
空白: 基本型
LB: 前后固定型
FA: 前盖固定型(前法兰)
FB: 后盖固定型(后法兰)
CA: 后盖固定型(单耳环)
CB: 后盖固定型(双耳环)
TC: 中间摇摆式
TC-M: 摇摆式附脚座
Fixed Type
Blank: Basic type
LB: Front and back fixed type
FA: Front cover fixed type (front flange type)
FB: Back cover fixed type (rear flange type)
CA: Back cover fixed type (single earring)
CB: Back cover fixed type (double earring)
TC: Swinging type
TC-M: Swinging type attaching foot seat

规格 | Specification

| 内径 Bore (mm) | 32 | 40 | 50 | 63 | 80 | 100 | 125 | 160 | 200 |
|---------------------------------------|---|-------|----|-------|----|-------|-----|-------|-----|
| 动作形式 Motion Pattern | 复动型 Double Action | | | | | | | | |
| 工作介质 Working Medium | 空气 Air | | | | | | | | |
| *固定型式 Fixed Type | 基本型 Basic type FA型 type FB型 type CA型 type CB型 type LB型 type TC型 type TC-M型 type | | | | | | | | |
| 使用压力范围 Operating Voltage Range | 1.0~9.0 Kg/cm ² | | | | | | | | |
| 保证耐压力 Ensured Pressure Resistance | 13.5 Kg/cm ² | | | | | | | | |
| 使用温度范围 Operating Temperature Range | 0~70℃ | | | | | | | | |
| 使用速度范围 Operating Speed Range | 50~800 mm/s | | | | | | | | |
| 缓冲型式 Buffer Type | 可调缓冲 Adjustable Buffer | | | | | | | | |
| 缓冲行程 Buffer Stroke | 20 | | | 26 | | | 45 | | |
| 接管口径 Port Size | G1/8" | G1/4" | | G3/8" | | G1/2" | | G3/4" | |

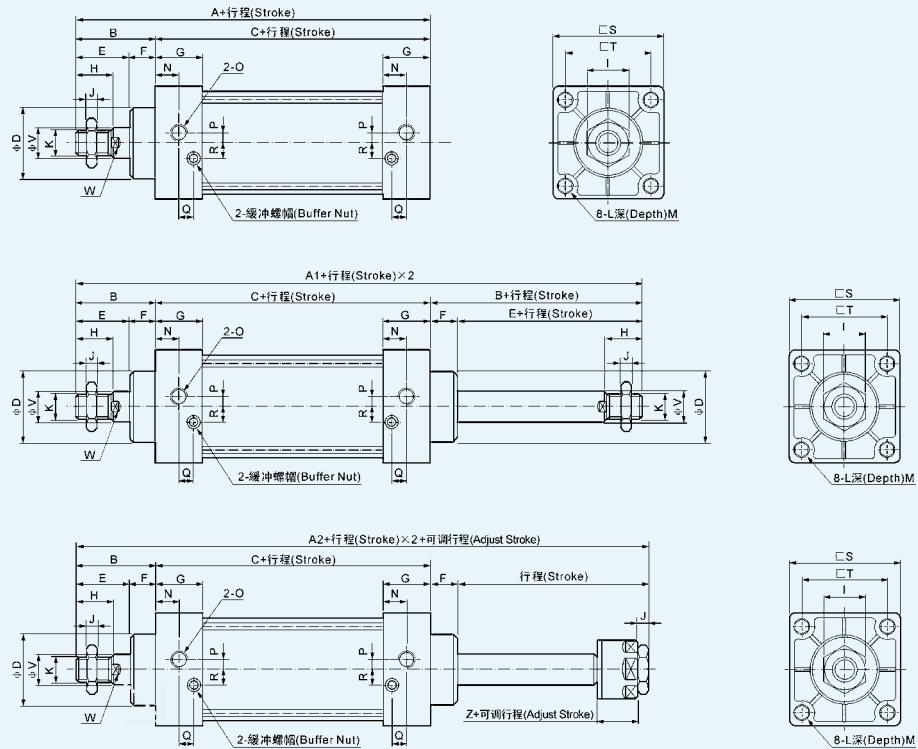
*SCD、SCJ的固定型式为：FA、FB、LB、TC和TC-M型。 SCD,SCJ Fixed Type: FA,FB,LB,TC & TC-M type.

SC/SU系列标准气缸

SC/SU Series Standard Cylinder

外形尺寸 | Overall Dimension

SC Series



尺寸表 | Dimension Sheet

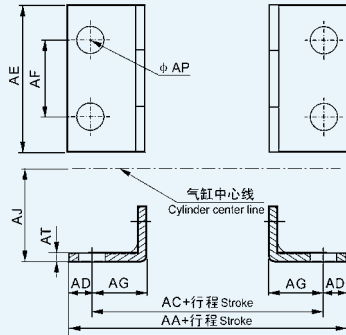
| 内径 / 符号 Inside Diameter/Symbol | A | A1 | A2 | B | C | D | E | F | G | H | I | J | K |
|-----------------------------------|----------|------|------|-------|-----|-----|-----|-----|------|----|----|----|----------|
| 32 | 140 | 187 | 182 | 47 | 93 | 28 | 32 | 15 | 27.5 | 22 | 17 | 6 | M10×1.25 |
| 40 | 142 | 191 | 185 | 49 | 93 | 32 | 34 | 15 | 27.5 | 24 | 17 | 7 | M12×1.25 |
| 50 | 150 | 207 | 196 | 57 | 93 | 38 | 42 | 15 | 27.5 | 32 | 23 | 8 | M16×1.5 |
| 63 | 153 | 210 | 199 | 57 | 96 | 38 | 42 | 15 | 27.5 | 32 | 23 | 8 | M16×1.5 |
| 80 | 183 | 258 | 243 | 75 | 108 | 47 | 54 | 21 | 33 | 40 | 26 | 10 | M20×1.5 |
| 100 | 183 | 258 | 243 | 75 | 108 | 47 | 54 | 21 | 33 | 40 | 26 | 10 | M20×1.5 |
| 125 | 226 | / | / | 104 | 122 | 55 | 70 | 34 | 33 | 54 | 40 | 10 | M27×2 |
| 160 | 275 | / | / | 123 | 152 | 62 | 91 | 32 | 40 | 72 | 55 | 18 | M36×2 |
| 200 | 331 | / | / | 167 | 166 | 80 | 112 | 55 | 40 | 72 | 55 | 18 | M36×2 |
| 内径 / 符号 Inside Diameter/Symbol | L | M | N | O | P | Q | R | S | T | V | W | Z | |
| 32 | M6×1 | 9.5 | 13.5 | G1/8" | 3.5 | 7.5 | 7 | 45 | 33 | 12 | 10 | 21 | |
| 40 | M6×1 | 9.5 | 13.5 | G1/4" | 6 | 8.2 | 9 | 50 | 37 | 16 | 14 | 21 | |
| 50 | M6×1 | 9.5 | 13.5 | G1/4" | 8.5 | 8.2 | 9 | 62 | 47 | 20 | 17 | 23 | |
| 63 | M8×1.25 | 9.5 | 13.5 | G3/8" | 7 | 8.2 | 8.5 | 75 | 56 | 20 | 17 | 23 | |
| 80 | M10×1.5 | 11.5 | 16.5 | G3/8" | 10 | 9.5 | 14 | 94 | 70 | 25 | 22 | 29 | |
| 100 | M10×1.5 | 11.5 | 16.5 | G1/2" | 11 | 9.5 | 14 | 112 | 84 | 25 | 22 | 29 | |
| 125 | M12×1.75 | 15.5 | 16.5 | G1/2" | / | / | / | 140 | 110 | 32 | 27 | / | |
| 160 | M16×2 | 17.5 | 25 | G1/2" | / | / | / | 180 | 140 | 40 | 36 | / | |
| 200 | M16×2 | 17.5 | 25 | G3/4" | / | / | / | 220 | 175 | 40 | 36 | / | |

SC/SU系列标准气缸附件

SC/SU Series Standard Cylinder Accessory

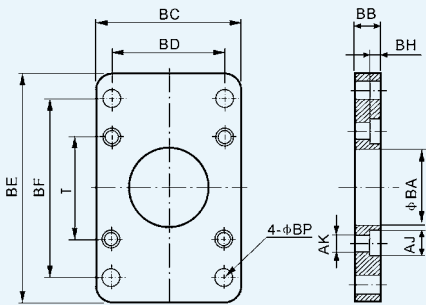
外形尺寸 | Overall Dimension 尺寸表 | Dimension Sheet

LB脚架 Foot Rest



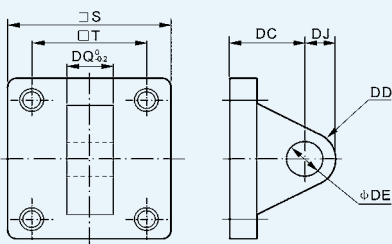
| 符号 / 缸径 Symbol / Bore | 32 | 40 | 50 | 63 | 80 | 100 | 125 | 160 | 200 |
|--------------------------|------|------|------|-----|-----|-----|-----|-----|-----|
| AA | 153 | 169 | 173 | 184 | 200 | 204 | 249 | 328 | 380 |
| AC | 134 | 140 | 149 | 158 | 168 | 168 | 213 | 288 | 320 |
| AD | 9.5 | 14.5 | 12 | 12 | 16 | 18 | 18 | 20 | 30 |
| AE | 50 | 57 | 68 | 80 | 97 | 112 | 140 | 180 | 220 |
| AF | 33 | 36 | 47 | 56 | 70 | 84 | 90 | 115 | 135 |
| AG | 20.5 | 23.5 | 28 | 31 | 30 | 30 | 45 | 60 | 70 |
| AJ | 28 | 30 | 36.5 | 41 | 49 | 57 | 90 | 115 | 135 |
| AP | 9 | 12 | 12 | 12 | 14 | 14 | 16 | 18 | 22 |
| AT | 3.2 | 3.2 | 3.2 | 3.2 | 4 | 4 | 8 | 8 | 10 |

FA、FB法兰 Flange



| 符号 / 缸径 Symbol / Bore | 32 | 40 | 50 | 63 | 80 | 100 | 125 | 160 | 200 |
|--------------------------|------|------|------|------|------|------|------|------|------|
| BA | 28.3 | 32.3 | 38.3 | 38.3 | 47.3 | 47.3 | 56 | 63 | 81 |
| BB | 10 | 10 | 10 | 12 | 16 | 16 | 20 | 25 | 25 |
| BC | 47 | 52 | 65 | 76 | 95 | 115 | 140 | 180 | 220 |
| BD | 33 | 36 | 47 | 56 | 70 | 84 | 90 | 115 | 135 |
| BE | 72 | 84 | 104 | 116 | 143 | 162 | 224 | 280 | 320 |
| BF | 58 | 70 | 86 | 98 | 119 | 138 | 180 | 230 | 270 |
| BH | 6.5 | 6.5 | 6.5 | 8.5 | 10.5 | 10.5 | 15 | 20 | 20 |
| AJ | 10.5 | 10.5 | 10.5 | 13.5 | 16.6 | 16.6 | 19 | 25 | 25 |
| AK | 6.5 | 6.5 | 6.5 | 8.5 | 10.5 | 10.5 | 12.5 | 16.5 | 16.5 |
| BP | 7 | 7 | 9 | 9 | 12 | 12 | 16 | 18 | 22 |
| T | 33 | 37 | 47 | 56 | 70 | 84 | 110 | 140 | 175 |

CA单耳环 Single Earring



| 符号 / 缸径 Symbol / Bore | 32 | 40 | 50 | 63 | 80 | 100 | 125 | 160 | 200 |
|--------------------------|----|----|----|----|----|-----|-----|-----|-----|
| S | 48 | 50 | 62 | 75 | 94 | 112 | 140 | 180 | 220 |
| T | 33 | 37 | 47 | 56 | 70 | 84 | 110 | 140 | 175 |
| DC | 34 | 34 | 34 | 34 | 48 | 48 | 50 | 55 | 60 |
| DD | 14 | 14 | 15 | 15 | 20 | 20 | 25 | 30 | 30 |
| DE | 12 | 14 | 14 | 14 | 20 | 20 | 25 | 30 | 30 |
| DJ | 14 | 14 | 15 | 15 | 20 | 20 | 25 | 30 | 30 |
| DQ | 16 | 20 | 20 | 20 | 32 | 32 | 70 | 90 | 90 |

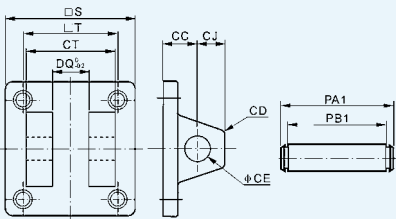
SC/SU系列标准气缸附件

SC/SU Series Standard Cylinder Accessory

外形尺寸 | Overall Dimension 尺寸表 | Dimension Sheet

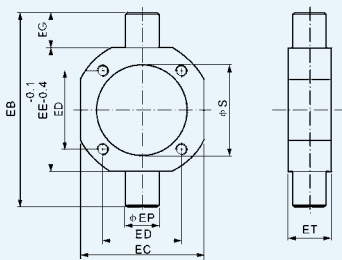


CB双耳环 Double Earring



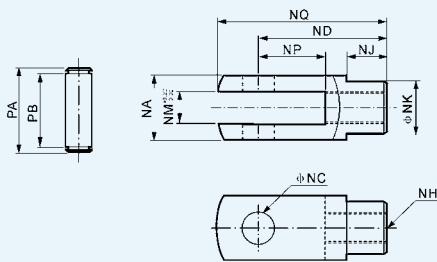
| 符号 / 缸径 Symbol / Bore | 32 | 40 | 50 | 63 | 80 | 100 | 125 | 160 | 200 |
|--------------------------|------|------|------|------|------|------|-------|-------|-------|
| CC | 19 | 19 | 19 | 19 | 32 | 32 | 50 | 55 | 60 |
| CD | 5 | 5 | 3 | 3 | 8 | 8 | 25 | 30 | 30 |
| CE | 12 | 14 | 14 | 14 | 20 | 20 | 25 | 30 | 30 |
| CJ | 13 | 13 | 15 | 15 | 21 | 21 | 25 | 30 | 30 |
| DQ | 16.3 | 20.5 | 20.3 | 20.3 | 32.3 | 32.3 | 70 | 90 | 90 |
| CT | 32 | 44 | 52 | 52 | 64 | 64 | 120 | 160 | 160 |
| PAI | 41 | 51.8 | 60.3 | 60.3 | 73.8 | 73.8 | 130 | 170 | 170 |
| PBI | 33.5 | 45.8 | 54 | 54 | 65.5 | 65.5 | 121.5 | 161.5 | 161.5 |
| S | 48 | 50 | 62 | 75 | 94 | 112 | 140 | 180 | 220 |
| T | 33 | 37 | 47 | 56 | 70 | 84 | 110 | 140 | 175 |

TC中摆 Swinging

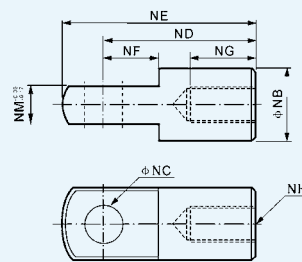


| 符号 / 缸径 Symbol / Bore | 40 | 50 | 63 | 80 | 100 | 125 | 160 | 200 |
|--------------------------|------|------|------|------|-------|-------|-------|-------|
| EB | 113 | 126 | 138 | 164 | 182 | 210 | 264 | 336 |
| EC | 63 | 76 | 88 | 114 | 132 | 160 | 200 | 245 |
| ED | 37 | 47 | 56 | 70 | 84 | 110 | 140 | 175 |
| EE | 63 | 76 | 88 | 114 | 132 | 160 | 200 | 245 |
| EG | 25 | 25 | 25 | 25 | 25 | 25 | 32 | 35 |
| EP | 25 | 25 | 25 | 25 | 25 | 30 | 32 | 32 |
| ET | 30 | 30 | 30 | 35 | 40 | 38 | 38 | 52 |
| S | 45.5 | 55.5 | 68.5 | 87.5 | 107.5 | 134.5 | 172.5 | 212.5 |

Y接头 Connection



I接头 Connection



| 符号 / 缸径 Symbol / Bore | NA | NB | NC | ND | NE | NF | NG | NH | NJ | NK | NM | NP | NQ | PA | PB |
|--------------------------|----|----|----|-----|-----|----|----|----------|------|----|----|------|-----|------|------|
| 32 | 19 | 20 | 10 | 40 | 52 | 15 | 20 | M10×1.25 | 15.5 | 18 | 10 | 20 | 52 | 26.2 | 20 |
| 40 | 24 | 24 | 12 | 48 | 67 | 24 | 20 | M12×1.25 | 20.5 | 20 | 12 | 24 | 62 | 32.8 | 26.5 |
| 50 | 32 | 32 | 16 | 64 | 89 | 32 | 23 | M16×1.5 | 26 | 30 | 16 | 32 | 83 | 39.3 | 33 |
| 63 | 32 | 32 | 16 | 64 | 89 | 32 | 23 | M16×1.5 | 26 | 30 | 16 | 32 | 83 | 39.3 | 33 |
| 80 | 40 | 40 | 20 | 80 | 112 | 40 | 30 | M20×1.5 | 30 | 38 | 20 | 39.5 | 105 | 53.3 | 45 |
| 100 | 40 | 40 | 20 | 80 | 112 | 40 | 30 | M20×1.5 | 30 | 38 | 20 | 39.5 | 105 | 53.3 | 45 |
| 125 | 62 | 49 | 20 | 99 | 122 | 54 | 50 | M27×2 | 28 | 38 | 30 | 34 | 120 | 75 | 66 |
| 160 | 70 | 61 | 30 | 125 | 155 | 43 | 70 | M36×2 | 40 | 53 | 40 | 34 | 153 | 96 | 82 |
| 200 | 70 | 61 | 30 | 125 | 155 | 43 | 70 | M36×2 | 40 | 53 | 40 | 34 | 153 | 96 | 82 |

SCL系列带锁型标准气缸(拉杆式)

SCL Series Standard Cylinder With Lock (Pull Rod Type)



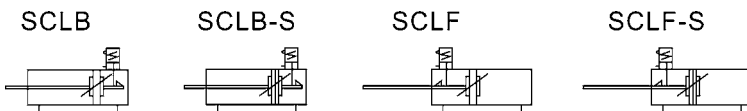
订购码 | Ordering Code

| | | | | | | | | | | | |
|--|---|---|---|---|---------------------|---|--|---|----------------------------|---|---|
| SCL | B | - | 50 | X | 50 | - | S | - | | - | |
| 规格代号 Series Code SCL: 标准复动 附锁型 (SC) SCL: Standard Double Action With Lock | 锁具位置 Adjust Stroke B: 后盖附锁型 F: 前盖附锁型 B: Bank Cover With Lock F: Front Cover With Lock | | 缸径 Cylinder Bore 40 50 63 80 100 | | 行程 Stroke | | 磁石代号 空白: 不附磁石 S: 附磁石 Magnet Code Blank: Standard Type S: Magnet Inside | | *固定型式 Fixed Type | | 牙型代码 空白: PT牙 T: NPT牙 G: G牙 Cog Code Blank: PT Thread T: NPT Thread G: G Thread |

| | 固定型式 Fixed Type | 适用系列 Use for | 备注 Remark |
|-------------|--------------------|-----------------|---------------|
| 空白 Blank | | SCLB SCLF | |
| LB | | | |
| FA | | | |
| FB | | | |
| CA | | | |
| CB | | | |
| TC | | | 与TCM1 配合使用 |

*附件与SU系列通用。

图形符号 | Graphic Symbol



规格 | Specification

| 内 径/Bore (mm) | 40 | 50 | 63 | 80 | 100 |
|-----------------------------------|---------------------------------------|--------|---------------------------------------|------|--|
| 动作形式/Motion Pattern | 复动型 Double Action | | | | |
| 工作介质/Working Medium | 空气 (经40 μm以上滤网过滤) Air | | | | |
| 固定型式/Fixed Type | 基本型 FA FB CA CB LB TC TCM1 | | | | |
| 使用压力范围/Operating Voltage Range | 0.1~1.0 MPa (15~145psi) (1.0~10.0bar) | | | | |
| 保证耐压力/Ensured Pressure Resistance | 1.5MPa (215psi) (15bar) | | | | |
| 工作温度/Working Temperature | -20~80℃ | | | | |
| 使用速度范围/Operation Speed Range | 30~800 mm/s | | | | |
| 行程公差范围/Stroke Tolerance Range | 0~250 ^{+1.0} ₀ | | 251~1000 ^{+1.4} ₀ | | 1001~1500 ^{+1.8} ₀ |
| 缓冲型式/Buffer Type | 可调缓冲 | | | | |
| 缓冲行程/Buffer Stroke | 无锁端 Without Lock End | 24mm | | | 32mm |
| | 附锁端 With Lock End | 13.5mm | 15mm | 18mm | |
| *接管口径/Port Size | 1/4 | | 3/8 | | 1/2 |

*接管牙型为G、NPT牙可供选择。

SCL系列带锁型标准气缸(拉杆式)

SCL Series Standard Cylinder With Lock (Pull Rod Type)

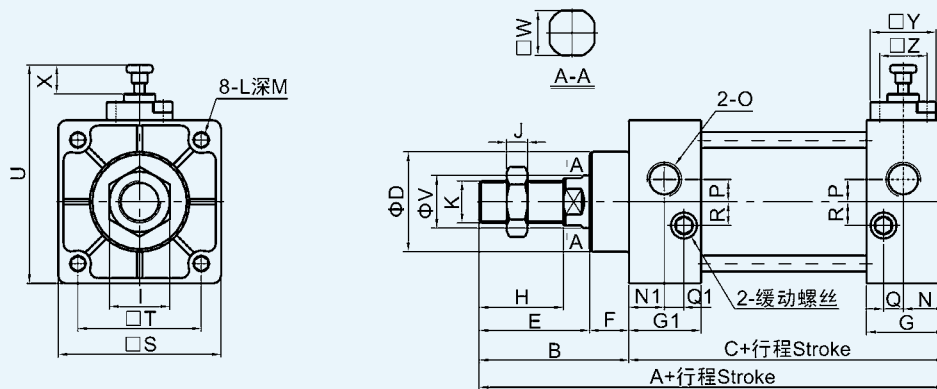
行程 | Stroke

| 内径 Bore (mm) | 标准行程 Standard Stroke (mm) | 最大行程 Max.Stroke | 容许行程 Permissible Stroke |
|-----------------|--|--------------------|----------------------------|
| 40 | 25 50 75 80 100 125 150 160 175 200 250 300 350 400 450 500 600 700 800 | 1200 | 1800 |
| 50 | 25 50 75 80 100 125 150 160 175 200 250 300 350 400 450 500 600 700 800 900 1000 | 1200 | 1800 |
| 63 | 25 50 75 80 100 125 150 160 175 200 250 300 350 400 450 500 600 700 800 900 1000 | 1500 | 1800 |
| 80 | 25 50 75 80 100 125 150 160 175 200 250 300 350 400 450 500 600 700 800 900 1000 | 1500 | 1800 |
| 100 | 25 50 75 80 100 125 150 160 175 200 250 300 350 400 450 500 600 700 800 900 1000 | 1500 | 1800 |

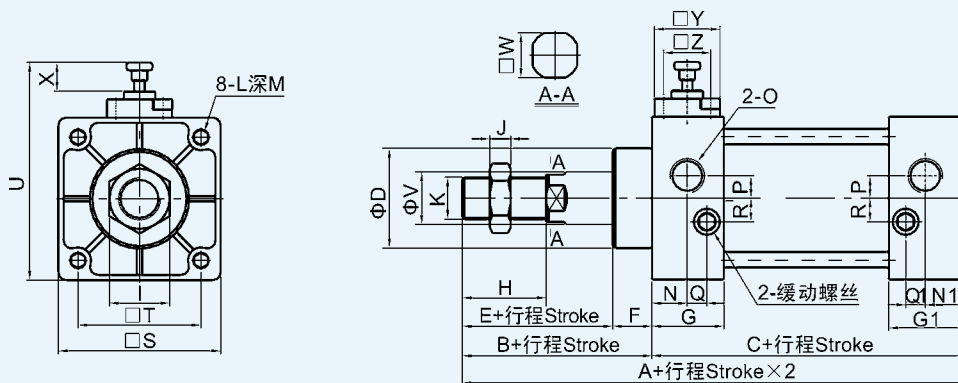
注：其它特殊行程请与本公司联系。

外形尺寸 | Overall Dimension

SCLB



SCLF



| 缸径/符号 Bore/ Symbol | A | B | C | D | E | F | G | G1 | H | I | J | K | L | M | N | N1 | O | P | Q | Q1 | R | S | T | U | V | W | X | Y | Z |
|-----------------------|-------|----|------|----|----|----|------|------|----|----|----|----------|---------|------|------|------|-----|-----|-----|-----|-----|-----|----|-----|----|----|----|----|----|
| 40 | 144.5 | 49 | 95.5 | 32 | 34 | 15 | 30 | 27.5 | 24 | 17 | 7 | M12x1.25 | M6x1.0 | 9.5 | 16 | 13.5 | 1/4 | 6 | 8.2 | 8.2 | 9 | 50 | 37 | 71 | 16 | 14 | 10 | 25 | 18 |
| 50 | 152.5 | 57 | 95.5 | 38 | 42 | 15 | 30 | 27.5 | 32 | 23 | 8 | M16x1.5 | M6x1.0 | 9.5 | 16 | 13.5 | 1/4 | 8.5 | 7.5 | 7.5 | 9 | 62 | 47 | 83 | 20 | 17 | 10 | 25 | 18 |
| 63 | 157 | 57 | 100 | 38 | 42 | 15 | 31.5 | 27.5 | 32 | 23 | 8 | M16x1.5 | M8x1.25 | 9.5 | 16.5 | 13.5 | 3/8 | 7 | 8.5 | 7.5 | 8.5 | 75 | 56 | 96 | 20 | 17 | 8 | 30 | 21 |
| 80 | 188 | 75 | 113 | 47 | 54 | 21 | 39 | 33 | 40 | 26 | 10 | M20x1.5 | M10x1.5 | 11.5 | 19 | 16.5 | 3/8 | 10 | 13 | 9.5 | 14 | 94 | 70 | 116 | 25 | 22 | 8 | 33 | 24 |
| 100 | 194 | 75 | 119 | 47 | 54 | 21 | 39 | 33 | 40 | 26 | 10 | M20x1.5 | M10x1.5 | 11.5 | 19 | 16.5 | 1/2 | 11 | 13 | 9.5 | 14 | 112 | 84 | 134 | 25 | 22 | 8 | 33 | 24 |

XNC系列ISO15552 标准气缸

XNC Series ISO15552 Standard Cylinder



订购码 | Ordering Code

| | | | | | | | | | | |
|--|---|---|---|---------------------|---|---|---|--|---|--|
| XNC | - | 63 | X | 50 | - | PPV | - | A | - | S2 |
| 系列代号 XNC: 基本型 XNCF:带缓冲垫型 PNC: 米字型缸筒 Series Code XNC: Basic Type XNCF: With Buffer Type PNC: Mickey Mouse Type Barrel | | 缸径 Cylinder Bore 32 40 50 63 80 100 125 | | 行程 Stroke | | 缓冲 空白: 无缓冲 PPV: 带缓冲 Buffer Blank: Non Buffer PPV: Attach Buffer | | 磁石代号 空白: 标准型 A: 内置磁环 Magnet Code Blank: Standard type A: Magnet inside | | 特殊加长长度 Especially Lengthen Length S2:双活塞杆 K2:加长外塞杆 K3:前端内螺纹 K5:外标准螺纹 K8:加长活塞杆 S2: Double Piston Rod K2: Lengthen Out Screw K3: Front in Screw Thread K5: Out Standard Screw Thread K8: Lengthen Piston Rod |

规格 | Specification

| 内 径 Bore (mm) | 32 | 40 | 50 | 63 | 80 | 100 |
|----------------------------------|---|------|----|------|----|------|
| 动作形式/Motion Pattern | 经过滤的空气 Filtered Air | | | | | |
| 工作介质/Working Medium | 双动 Double Action | | | | | |
| 耐压实验压力/Compression Pressure | 1.5MPa | | | | | |
| 最高使用压力/Max. Operating Pressure | 1.0MPa | | | | | |
| 最低工作压力/Min. Operating Pressure | 0.1MPa | | | | | |
| 缓冲/Buffer | 气缓冲(标准) Air Buffer (Standard) | | | | | |
| 环境温度/Environment Temperature | 5~60℃ | | | | | |
| 使用速度/Operating Speed | 50~500mm/s | | | | | |
| 行程误差/Margin of Stroke Error (mm) | 0~250 ^{+1.0} ₀ 251~1000 ^{+1.5} ₀ 1001~1500 ^{+2.0} ₀ | | | | | |
| 使用寿命/Operating Life | 不低于 Not less than 4000Km | | | | | |
| 润滑/Lubricate | 不需要 Not Necessary | | | | | |
| 接管口径/Port Size | 1/8" | 1/4" | | 3/8" | | 1/2" |

行程 | Stroke

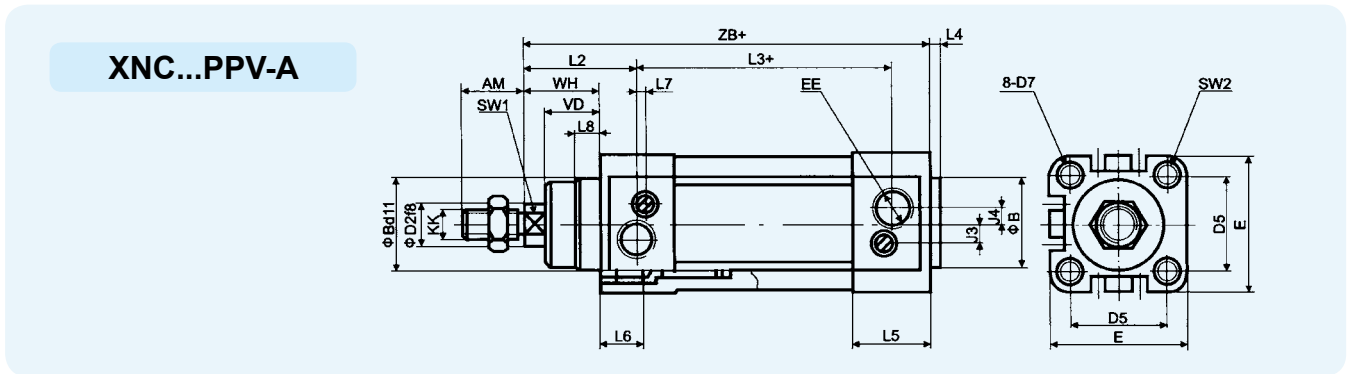
| 内径 Bore | 标准行程 Standard Stroke | 缓冲行程 Buffer Stroke | 最大行程范围 Max. Stroke Range | 内径 Bore | 磁性开关最小行程 Magnetism Switch Min. Stroke | 磁性开关型号 Magnetism Switch Type |
|---------|----------------------|--------------------|--------------------------|---------|---------------------------------------|-------------------------------------|
| 32 | 25 40 50 80 | 20 | 10~2000 | 32 | 32 | KCK2400C (埋入式) Embedding Type |
| 40 | | | | 40 | | |
| 50 | | 50 | | | | |
| 63 | 22 | 63 | | 63 | | |
| 80 | | 80 | 80 | | | |
| 100 | 250 320 400 500 | 32 | 100 | 100 | | |

XNC系列ISO15552 标准气缸

XNC Series ISO15552 Standard Cylinder

基本型 Basic Type

外形尺寸 | Overall Dimension

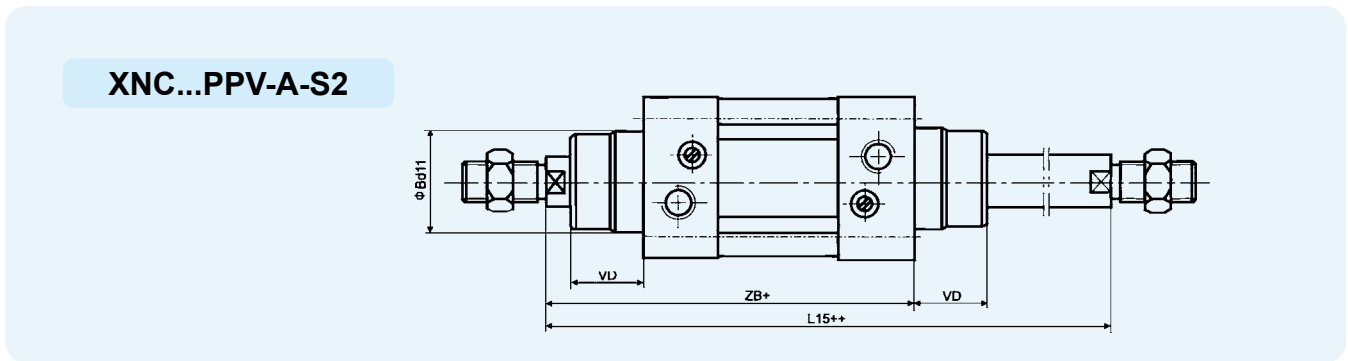


尺寸表 | Dimension Sheet

| 缸径 Bore | AM | B | D2 | D5 | D7 | E | EE (G) | J3 | J4 | KK | L2 | L3 | L4 | L5 | L6 | L7 | L8 | SW1 | SW2 | VD | WH | ZB |
|------------|----|----|----|------|-----|-----|-----------|------|-----|----------|------|-------|----|------|----|------|------|-----|-----|------|----|-----|
| 32 | 22 | 30 | 12 | 32.5 | M6 | 45 | 1/8 | 6 | 5.2 | M10×1.25 | 41.6 | 62.8 | 4 | 25.1 | 16 | 3.3 | 10 | 10 | 6 | 18 | 26 | 120 |
| 40 | 24 | 35 | 16 | 38 | M6 | 54 | 1/4 | 8 | 6 | M12×1.25 | 44 | 77 | 4 | 29.6 | 16 | 3.6 | 10.5 | 13 | 6 | 21.5 | 30 | 135 |
| 50 | 32 | 40 | 20 | 46.5 | M8 | 64 | 1/4 | 10 | 8.5 | M16×1.5 | 51 | 78 | 4 | 29.6 | 17 | 5.1 | 11.5 | 17 | 8 | 28 | 37 | 143 |
| 63 | 32 | 45 | 20 | 56.5 | M8 | 75 | 3/8 | 12.4 | 10 | M16×1.5 | 54 | 87 | 4 | 35.6 | 17 | 6.6 | 15 | 17 | 8 | 28.5 | 37 | 158 |
| 80 | 40 | 45 | 25 | 72 | M10 | 93 | 3/8 | 12.5 | 8 | M20×1.5 | 62.4 | 95.2 | 4 | 35.9 | 17 | 10.5 | 15.7 | 22 | 10 | 34.7 | 46 | 174 |
| 100 | 40 | 55 | 25 | 89 | M10 | 110 | 1/2 | 11.8 | 10 | M20×1.5 | 69.8 | 100.4 | 4 | 38.8 | 17 | 8 | 19.2 | 22 | 10 | 38.2 | 51 | 189 |
| 125 | 54 | 60 | 32 | 110 | M12 | 134 | 1/2 | 13 | 8 | M27×2 | 83 | 124 | 6 | 44.7 | 22 | 14 | 20.5 | 27 | 8 | 46 | 65 | 225 |

双活塞杆型 Double Piston Type

外形尺寸 | Overall Dimension



| 缸径 Bore | B | L15 | VD | ZB |
|------------|----|-----|------|-----|
| 32 | 30 | 46 | 18 | 120 |
| 40 | 35 | 165 | 21.5 | 135 |
| 50 | 40 | 180 | 28 | 143 |
| 63 | 45 | 195 | 28.5 | 158 |
| 80 | 45 | 220 | 34.7 | 174 |
| 100 | 55 | 240 | 38.2 | 189 |
| 125 | 60 | 290 | 46 | 225 |

XNG系列标准气缸(符合ISO15552标准)

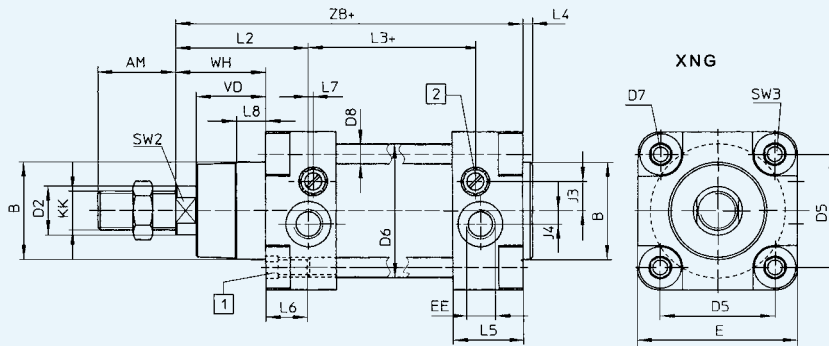
XNG Series ISO15552 Standard Cylinder



订购码 | Ordering Code

| | | | | | | | | | | |
|-------------------------|---|-------------------------|----------|------------------|---|---|---|---|---|--|
| XNG | - | 125 | X | 150 | - | PPV | - | A | - | LB |
| 系列代号 Series Code | | 缸径 Cylinder Bore | | 行程 Stroke | | 缓冲 空白: 无缓冲 PPV: 带缓冲 Buffer Blank: Non Buffer PPV: Attach Buffer | | 磁石代号 空白: 标准型 A: 内置磁环 Magnet Code Blank: Standard type A: Magnet inside | | 固定型式 空白: 基本型 LB: 前后固定型 FA: 前法兰 FB: 后法兰 CA: 单耳环 CB: 双耳环 TC: 中间摇摆式 YB: 斜支架 Fixed Type Blank: basic type LB: axial foot FA: front flange FB: rear flange CA: single clevis CB: double clevis TC: center trunion YB: Rotation clevis |

外形尺寸 | Overall Dimension



- 1 拉杆螺母带内螺纹, 用于安装
- 2 终端缓冲调节螺钉

| 缸径 Φmm | AM | Bd11Φ | B ₁ | D ₂ f8Φ | D ₃ | D ₆ Φ | D ₇ | D ₈ Φ | E | EE | J ₃ | J ₄ | KK | L ₂ | L ₃ | L ₄ | L ₅ | L ₆ | L ₇ | L ₈ | SW ₂ | SW ₃ | VD | WH | ZB |
|-----------|----|-------|----------------|--------------------|----------------|------------------|----------------|------------------|-----|------|----------------|----------------|----------|----------------|----------------|----------------|----------------|----------------|----------------|----------------|-----------------|-----------------|------|-----|-----|
| 32 | 22 | 30 | 10 | 12 | 32.5 | 37 | M6 | 6 | 50 | G1/8 | 7 | - | M10X1.25 | 35 | 68 | 4 | 26 | 17 | 5.8 | 10.5 | 10 | 6 | 19 | 26 | 120 |
| 40 | 24 | 35 | 12 | 16 | 38 | 45 | M6 | 6 | 55 | G1/4 | 9.5 | 2.5 | M12X1.25 | 41 | 77 | 4 | 26 | 16.5 | 5.3 | 10.5 | 13 | 6 | 21.5 | 30 | 135 |
| 50 | 32 | 40 | 16 | 20 | 46.5 | 55 | M8 | 8 | 65 | G1/4 | 12 | 5.5 | M16X1.5 | 54.5 | 71 | 4 | 29 | 17 | 2 | 12 | 17 | 8 | 28.5 | 37 | 143 |
| 63 | 32 | 45 | 16 | 20 | 56.5 | 68 | M8 | 8 | 75 | G3/8 | 14 | 6 | M16X1.5 | 55 | 85 | 4 | 35 | 19.5 | 5 | 12.5 | 17 | 8 | 28.5 | 37 | 158 |
| 80 | 40 | 45 | 20 | 25 | 72 | 86 | M10 | 10 | 100 | G3/8 | 15 | 7 | M20X1.5 | 63 | 94 | 4 | 38.5 | 20 | 8 | 16.5 | 22 | 17 | 34.5 | 46 | 174 |
| 100 | 40 | 55 | 20 | 25 | 89 | 107 | M10 | 10 | 120 | G1/2 | 13 | 8 | M20X1.5 | 69 | 102 | 4 | 42 | 20 | 13 | 15.5 | 22 | 17 | 37.5 | 51 | 189 |
| 125 | 54 | 60 | | 32 | 110 | 133 | M12 | 12 | 145 | G1/2 | 13 | 8 | M27X2 | 83 | 124 | 6 | 48.5 | 20 | 14 | 20.5 | 27 | 19 | 46 | 65 | 225 |
| 160 | 72 | 65 | | 40 | 140 | 168 | M16 | 16 | 186 | G3/4 | 22 | 22 | M36X2 | 105.5 | 129 | 6 | 50.5 | 24 | - | - | 36 | 32 | 55 | 80 | 260 |
| 200 | 72 | 75 | | 40 | 175 | 210 | M16 | 16 | 230 | G3/4 | 22 | 22 | M36X2 | 118 | 134 | 6 | 46 | 24 | - | - | 36 | 32 | 65 | 95 | 275 |
| 250 | 84 | 90 | | 50 | 220 | 254 | M20 | 18.3 | 270 | G1 | 25 | 25 | M42X2 | 138 | 138 | 10 | 52 | 25.5 | - | - | 46 | 36 | 67 | 105 | 305 |
| 320 | 96 | 110 | | 63 | 270 | 325 | M24 | 21.9 | 340 | G1 | 30 | 30 | M48X2 | 151 | 158 | 10 | 58 | 28.5 | - | - | 55 | 46 | 82 | 120 | 340 |

SI系列ISO15552标准气缸

SI Series ISO15552 Standard Cylinder



SIX32x100-S

SI40x50

订购码 | Ordering Code

SI - **50** X **50** - **S** - **LB**

系列代号
SI: ISO15552标准复动型
SIX: 新款磁性开关槽
Series Code
SI: ISO15552 Standard
Double Action Type

X: 新款带磁性开关槽

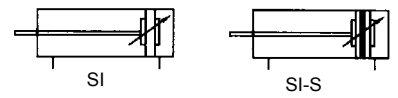
缸径
Cylinder Bore
32 40
50 63
80 100
125 160
200

行程
Stroke

磁石代号
空白: 不附磁
S: 附磁石
Magnet Code
Blank: Without Magnet
S: With Magnet

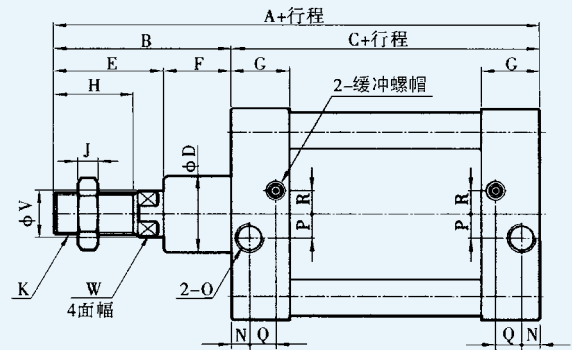
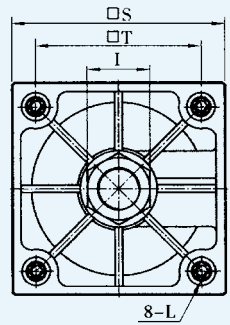
固定型式
空白: 基本型
LB: 前后固定型
FA: 前盖固定型(前法兰)
FB: 后盖固定型(后法兰)
CA: 后盖固定型(单耳环)
CB: 后盖固定型(双耳环)
YB: 斜支架

Fixed Type
Blank: basic type
LB: front and back fixed type
FA: front cover fixed type (front flange type)
FB: back cover fixed type (rear flange type)
CA: back cover fixed type (single earring)
CB: back cover fixed type (double earring)
YB: Rotation Clevis



外形尺寸 | Overall Dimension

Φ32~Φ200



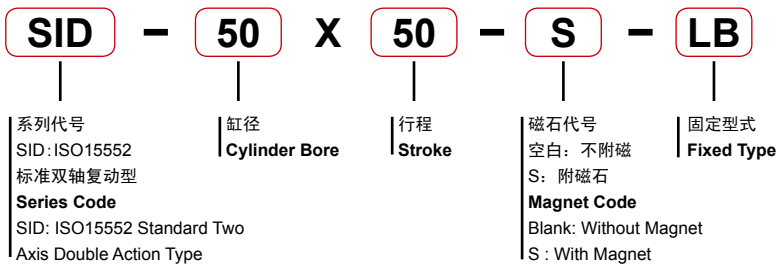
| 缸径/符号 Bore/Symbol | A | B | C | D | E | F | G | H | I | J | K | L | N | O | P | Q | R | S | T | V | W |
|----------------------|-----|-----|-----|----|------|------|------|----|----|------|----------|-----|------|-----|------|-----|------|-----|------|----|----|
| 32 | 142 | 48 | 94 | 30 | 29 | 19 | 27.5 | 22 | 17 | 6 | M10×1.25 | M6 | 13.5 | 1/8 | 4 | 7.5 | 7 | 47 | 32.5 | 12 | 10 |
| 40 | 159 | 54 | 105 | 35 | 32.5 | 21.5 | 29 | 24 | 19 | 7 | M12×1.25 | M6 | 16 | 1/4 | 6 | 9.5 | 9 | 53 | 38 | 16 | 13 |
| 50 | 175 | 69 | 106 | 40 | 42 | 27 | 31 | 32 | 24 | 8 | M16×1.5 | M8 | 18.5 | 1/4 | 8.5 | 6.7 | 9 | 65 | 46.5 | 20 | 17 |
| 63 | 190 | 69 | 121 | 45 | 42 | 27 | 32 | 32 | 24 | 8 | M16×1.5 | M8 | 19 | 3/8 | 6 | 7.7 | 9 | 75 | 56.5 | 20 | 17 |
| 80 | 214 | 86 | 128 | 45 | 53.5 | 32.5 | 35 | 40 | 30 | 10 | M20×1.5 | M10 | 19 | 3/8 | 10 | 5 | 13.5 | 95 | 72 | 25 | 22 |
| 100 | 229 | 91 | 138 | 55 | 55 | 36 | 36 | 40 | 30 | 10 | M20×1.5 | M10 | 18 | 1/2 | 12.5 | 10 | 14.5 | 115 | 89 | 25 | 22 |
| 125 | 279 | 119 | 160 | 60 | 74 | 45 | 46 | 54 | 41 | 13.5 | M27×2 | M12 | 23 | 1/2 | 14 | 12 | 14 | 140 | 110 | 32 | 27 |
| 160 | 332 | 152 | 180 | 65 | 97 | 55 | 50 | 72 | 55 | 18 | M36×2 | M16 | 25 | 3/4 | 15 | 12 | 20 | 180 | 140 | 40 | 36 |
| 200 | 347 | 167 | 180 | 75 | 112 | 55 | 50 | 72 | 55 | 18 | M36×2 | M16 | 25 | 3/4 | 15 | 12 | 20 | 220 | 175 | 40 | 36 |

SID系列ISO15552标准气缸

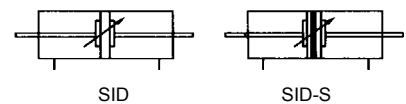
SID Series ISO15552 Standard Cylinder



订购码 | Ordering Code

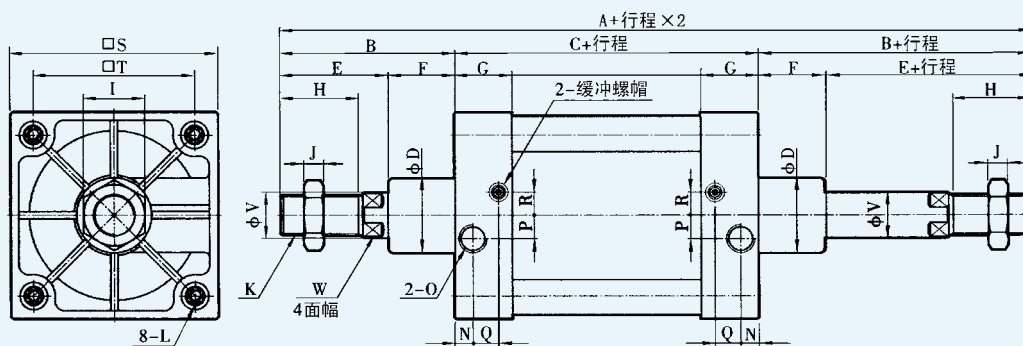


图形符号 | Graphic Symbol



外形尺寸 | Overall Dimension

Φ32~Φ200



| 缸径/符号 Bore/ Symbol | A | B | C | D | E | F | G | H | I | J | K | L |
|-----------------------|-----|-----|-----|----|------|------|------|----|----|------|----------|-----|
| 32 | 190 | 48 | 94 | 30 | 29 | 19 | 27.5 | 22 | 17 | 6 | M10×1.25 | M6 |
| 40 | 213 | 54 | 105 | 35 | 32.5 | 21.5 | 29 | 24 | 19 | 7 | M12×1.25 | M6 |
| 50 | 244 | 69 | 106 | 40 | 42 | 27 | 31 | 32 | 24 | 8 | M16×1.5 | M8 |
| 63 | 259 | 69 | 121 | 45 | 42 | 27 | 32 | 32 | 24 | 8 | M16×1.5 | M8 |
| 80 | 300 | 86 | 128 | 45 | 53.5 | 32.5 | 35 | 40 | 30 | 10 | M20×1.5 | M10 |
| 100 | 320 | 91 | 138 | 55 | 55 | 36 | 36 | 40 | 30 | 10 | M20×1.5 | M10 |
| 125 | 398 | 119 | 160 | 60 | 74 | 45 | 46 | 54 | 41 | 13.5 | M27×2 | M12 |
| 160 | 484 | 152 | 180 | 65 | 97 | 55 | 50 | 72 | 55 | 18 | M36×2 | M16 |
| 200 | 514 | 167 | 180 | 75 | 112 | 55 | 50 | 72 | 55 | 18 | M36×2 | M16 |

| 缸径/符号 Bore/ Symbol | N | O | P | Q | R | S | T | V | W |
|-----------------------|------|-----|------|-----|------|-----|------|----|----|
| 32 | 13.5 | 1/8 | 4 | 7.5 | 7 | 47 | 32.5 | 12 | 10 |
| 40 | 16 | 1/4 | 6 | 9.5 | 9 | 53 | 38 | 16 | 13 |
| 50 | 18.5 | 1/4 | 8.5 | 6.7 | 9 | 65 | 46.5 | 20 | 17 |
| 63 | 19 | 3/8 | 6 | 7.7 | 9 | 75 | 56.5 | 20 | 17 |
| 80 | 19 | 3/8 | 10 | 5 | 13.5 | 95 | 72 | 25 | 22 |
| 100 | 18 | 1/2 | 12.5 | 10 | 14.5 | 115 | 89 | 25 | 22 |
| 125 | 23 | 1/2 | 14 | 12 | 14 | 140 | 110 | 32 | 27 |
| 160 | 25 | 3/4 | 15 | 12 | 20 | 180 | 140 | 40 | 36 |
| 200 | 25 | 3/4 | 15 | 12 | 20 | 220 | 175 | 40 | 36 |

SIJ系列ISO15552标准气缸

SIJ Series ISO15552 Standard Cylinder



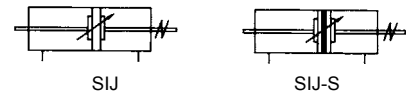
A

订购码 | Ordering Code

SIJ - 50 X 50 - 25 - S - LB

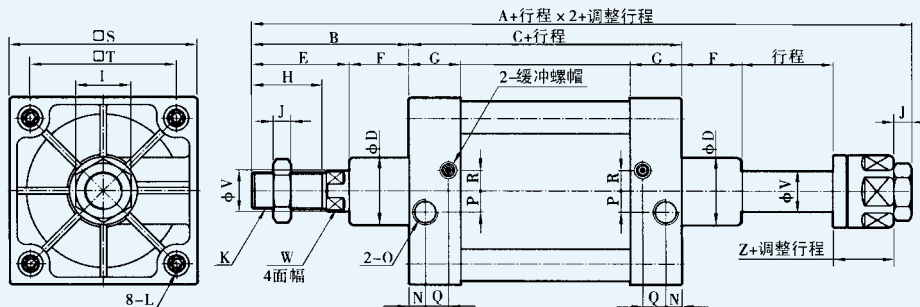
| | | | | | |
|--|----------------------------|---------------------|---|---|---------------------------|
| 系列代号 SIJ:ISO15552双轴 行程可调型 Series Code SIJ:ISO15552 Two Axis Stroke Adjust Type | 缸径 Cylinder Bore | 行程 Stroke | 调整行程 Adjust Stroke 25:25mm 50:50mm 75:75mm | 磁石代号 空白: 不附磁 S: 附磁石 Magnet Code Blank: Standard type S: Magnet inside | 固定型式 Fixed Type |
|--|----------------------------|---------------------|---|---|---------------------------|

图形符号 | Graphic Symbol



外形尺寸 | Overall Dimension

Φ32~Φ200

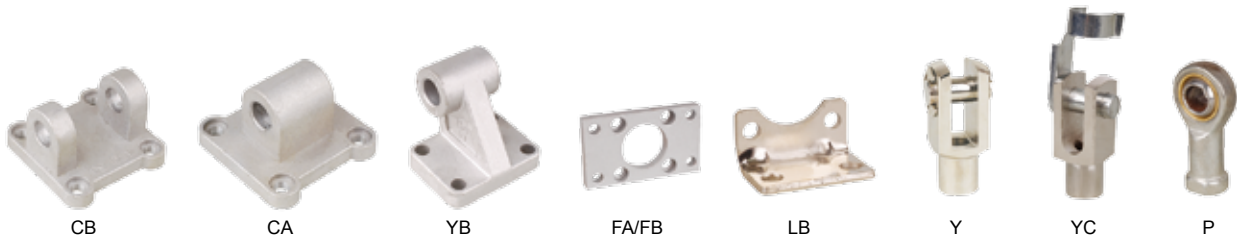


| 缸径/符号 Bore/ Symbol | A | B | C | D | E | F | G | H | I | J | K | L |
|-----------------------|-------|-----|-----|----|------|------|------|----|----|------|----------|-----|
| 32 | 187 | 48 | 94 | 30 | 29 | 19 | 27.5 | 22 | 17 | 6 | M10×1.25 | M6 |
| 40 | 207 | 54 | 105 | 35 | 32.5 | 21.5 | 29 | 24 | 19 | 7 | M12×1.25 | M6 |
| 50 | 233 | 69 | 106 | 40 | 42 | 27 | 31 | 32 | 24 | 8 | M16×1.5 | M8 |
| 63 | 250 | 69 | 121 | 45 | 42 | 27 | 32 | 32 | 24 | 8 | M16×1.5 | M8 |
| 80 | 286 | 86 | 128 | 45 | 53.5 | 32.5 | 35 | 40 | 30 | 10 | M20×1.5 | M10 |
| 100 | 308 | 91 | 138 | 55 | 55 | 36 | 36 | 40 | 30 | 10 | M20×1.5 | M10 |
| 125 | 372.5 | 119 | 160 | 60 | 74 | 45 | 46 | 54 | 41 | 13.5 | M27×2 | M12 |
| 160 | 448 | 152 | 180 | 65 | 97 | 55 | 50 | 72 | 55 | 18 | M36×2 | M16 |
| 200 | 472 | 167 | 180 | 75 | 112 | 55 | 50 | 72 | 55 | 18 | M36×2 | M16 |

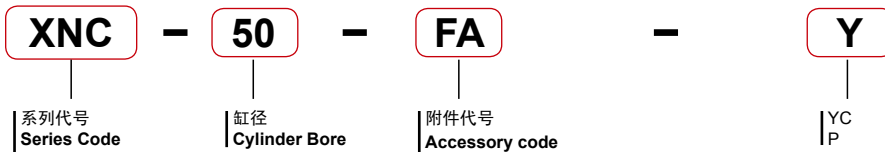
| 缸径/符号 Bore/ Symbol | N | O | P | Q | R | S | T | V | W | Z |
|-----------------------|------|-----|------|-----|------|-----|------|----|----|------|
| 32 | 13.5 | 1/8 | 4 | 7.5 | 7 | 47 | 32.5 | 12 | 10 | 21 |
| 40 | 16 | 1/4 | 6 | 9.5 | 9 | 53 | 38 | 16 | 13 | 21 |
| 50 | 18.5 | 1/4 | 8.5 | 6.7 | 9 | 65 | 46.5 | 20 | 17 | 21 |
| 63 | 19 | 3/8 | 6 | 7.7 | 9 | 75 | 56.5 | 20 | 17 | 21 |
| 80 | 19 | 3/8 | 10 | 5 | 13.5 | 95 | 72 | 25 | 22 | 25.5 |
| 100 | 18 | 1/2 | 12.5 | 10 | 14.5 | 115 | 89 | 25 | 22 | 25.5 |
| 125 | 23 | 1/2 | 14 | 12 | 14 | 140 | 110 | 32 | 27 | 29 |
| 160 | 25 | 3/4 | 15 | 12 | 20 | 180 | 140 | 40 | 36 | 50 |
| 200 | 25 | 3/4 | 15 | 12 | 20 | 220 | 175 | 40 | 36 | 50 |

ISO15552标准气缸安装附件

Mounting and Accessories for ISO15552 Standard Cylinder



订购码 | Ordering Code



系列代号
Series Code
XNC
SI

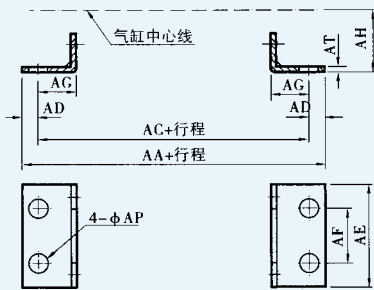
缸径
Cylinder Bore

附件代号
Accessory code
LB: 前后固定型 front and back fixed type
FA: 前盖固定型(前法兰) front cover fixed type (front flange type)
FB: 后盖固定型(后法兰) back cover fixed type (rear flange type)
CA: 后盖固定型(单耳环) back cover fixed type (single earring)
CB: 后盖固定型(双耳环) back cover fixed type (double earring)
YB: 斜支架 Roatation Clevis

Y
YC
P

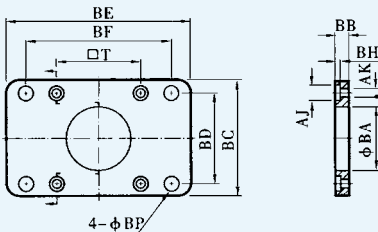
外形尺寸 | Overall Dimension

LB型 Type



| 符号 / 缸径 Symbol / Bore | 32 | 40 | 50 | 63 | 80 | 100 | 125 | 160 | 200 |
|--------------------------|-----|-----|-----|-----|------|------|------|------|-----|
| AA | 158 | 179 | 190 | 209 | 248 | 258 | 290 | 340 | 380 |
| AC | 142 | 161 | 170 | 185 | 210 | 220 | 250 | 300 | 320 |
| AD | 8 | 9 | 10 | 12 | 19 | 19 | 20 | 20 | 30 |
| AE | 47 | 53 | 63 | 75 | 95 | 115 | 140 | 180 | 220 |
| AF | 32 | 36 | 45 | 50 | 63 | 75 | 90 | 115 | 135 |
| AG | 24 | 28 | 32 | 32 | 41 | 41 | 45 | 60 | 70 |
| AH | 32 | 36 | 45 | 50 | 63 | 71 | 90 | 115 | 135 |
| AP | 7 | 9 | 9 | 9 | 12.5 | 14.5 | 16.5 | 18.5 | 24 |
| AT | 4 | 4 | 4 | 4 | 5 | 5 | 8 | 8 | 9 |

FA型 Type



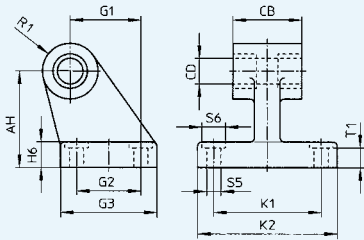
| 符号 / 缸径 Symbol / Bore | 32 | 40 | 50 | 63 | 80 | 100 | 125 | 160 | 200 |
|--------------------------|------|------|------|------|------|------|------|-------|------|
| AJ | 11 | 11 | 13 | 13 | 17 | 17 | 19 | 24.5 | 25 |
| AK | 7 | 7 | 9 | 9 | 11 | 11 | 13 | 16.75 | 17 |
| BA | 30.5 | 35.5 | 40.5 | 45.5 | 45.5 | 55.5 | 60.5 | 65.5 | 75.5 |
| BB | 10 | 10 | 12 | 12 | 16 | 16 | 20 | 20 | 25 |
| BC | 47 | 53 | 65 | 75 | 95 | 115 | 140 | 180 | 220 |
| BD | 32 | 36 | 45 | 50 | 63 | 75 | 90 | 115 | 135 |
| BE | 80 | 90 | 110 | 125 | 154 | 186 | 224 | 280 | 320 |
| BF | 64 | 72 | 90 | 100 | 126 | 150 | 180 | 230 | 270 |
| BH | 4 | 4 | 6 | 4 | 6 | 6 | 8 | 8 | 12 |
| BP | 7 | 9 | 9 | 9 | 12.5 | 14.5 | 16.5 | 18.5 | 24 |
| T | 32.5 | 38 | 46.5 | 56.5 | 72 | 89 | 110 | 140 | 175 |

ISO15552标准气缸安装附件

Mounting and Accessories for ISO15552 Standard Cylinder

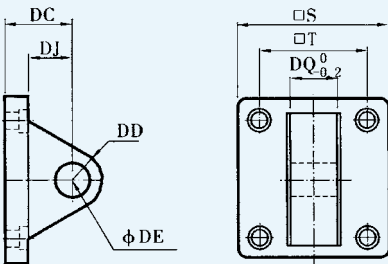
外形尺寸 | Overall Dimension

YB型 Type



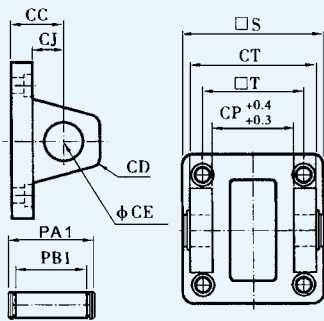
| 符号 / 缸径 Symbol / Bore | AH | CB | CD | G ₁ | G ₂ | G ₃ | H ₆ | K ₁ | K ₂ | R ₁ | S ₆ Φ | S ₅ Φ | T ₁ |
|--------------------------|----|----|----|----------------|----------------|----------------|----------------|----------------|----------------|----------------|------------------|------------------|----------------|
| 32 | 32 | 26 | 10 | 21 | 18 | 31 | 8 | 38 | 51 | 10 | 6.6 | - | 8 |
| 40 | 36 | 28 | 12 | 24 | 22 | 35 | 10 | 40 | 54 | 11 | 6.6 | - | 10 |
| 50 | 45 | 32 | 12 | 33 | 30 | 45 | 12 | 50 | 65 | 13 | 9 | - | 12 |
| 63 | 50 | 40 | 16 | 37 | 35 | 50 | 12 | 52 | 67 | 15 | 9 | 15 | 10.8 |
| 80 | 63 | 50 | 16 | 47 | 40 | 60 | 14 | 66 | 86 | 15 | 11 | 18 | 12.7 |
| 100 | 71 | 60 | 20 | 55 | 50 | 70 | 15 | 76 | 96 | 19 | 11 | 18 | 13.7 |
| 125 | 90 | 70 | 25 | 70 | 60 | 90 | 20 | 94 | 124 | 22.5 | 14 | 20 | 18.6 |

CA型 Type



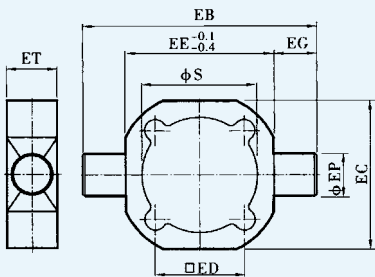
| 符号 / 缸径 Symbol / Bore | 32 | 40 | 50 | 63 | 80 | 100 | 125 | 160 | 200 |
|--------------------------|------|------|------|------|------|------|------|------|------|
| S | 47 | 53 | 65 | 75 | 95 | 115 | 140 | 180 | 220 |
| T | 32.5 | 38 | 46.5 | 56.5 | 72 | 89 | 110 | 140 | 175 |
| DC | 22 | 25 | 27 | 32 | 36 | 41 | 50 | 55 | 60 |
| DD | 9 | 12 | 12 | 15 | 15 | 20 | 25 | 30 | 30 |
| DE | 10 | 12 | 12 | 16 | 16 | 20 | 25 | 30 | 30 |
| DJ | 13 | 16 | 17 | 22 | 22 | 27 | 33 | 35.5 | 36 |
| DQ | 25.8 | 27.8 | 31.7 | 39.7 | 49.7 | 59.7 | 69.7 | 89.7 | 89.7 |

CB型 Type



| 符号 / 缸径 Symbol / Bore | 32 | 40 | 50 | 63 | 80 | 100 | 125 | 160 | 200 |
|--------------------------|------|------|------|------|------|-------|-------|-------|-------|
| CC | 22 | 25 | 27 | 32 | 36 | 41 | 50 | 55 | 60 |
| CD | 9 | 12 | 12 | 15 | 15 | 20 | 25 | 30 | 30 |
| CE | 10 | 12 | 12 | 16 | 16 | 20 | 25 | 30 | 30 |
| CJ | 13 | 16 | 17 | 22 | 22 | 27 | 31 | 35.5 | 36 |
| CP | 26 | 28 | 32 | 40 | 50 | 60 | 70 | 90 | 90 |
| CT | 45 | 52 | 60 | 70 | 90 | 110 | 130 | 170 | 170 |
| PA1 | 51 | 59 | 67 | 77 | 97 | 119 | 139 | 181 | 181 |
| PB1 | 45.5 | 52.5 | 60.5 | 70.5 | 90.5 | 110.5 | 130.5 | 170.5 | 170.5 |
| S | 47 | 53 | 65 | 75 | 95 | 115 | 140 | 180 | 220 |
| T | 32.5 | 38 | 46.5 | 56.5 | 72 | 89 | 110 | 140 | 175 |

TC型 Type



| 符号 / 缸径 Symbol / Bore | 32 | 40 | 50 | 63 | 80 | 100 | 125 | 160 | 200 |
|--------------------------|------|-----|------|------|-----|-----|-----|-----|-----|
| EB | 100 | 113 | 125 | 140 | 160 | 182 | - | - | - |
| EC | 50 | 58 | 70 | 80 | 100 | 126 | - | - | - |
| ED | 32.5 | 38 | 46.5 | 56.5 | 72 | 89 | - | - | - |
| EE | 50 | 63 | 75 | 90 | 110 | 132 | - | - | - |
| EG | 25 | 25 | 25 | 25 | 25 | 25 | - | - | - |
| EP | 12 | 16 | 16 | 20 | 20 | 25 | - | - | - |
| ET | 20 | 24 | 28 | 28 | 28 | 28 | - | - | - |
| S | 36 | 45 | 55 | 68 | 86 | 106 | - | - | - |

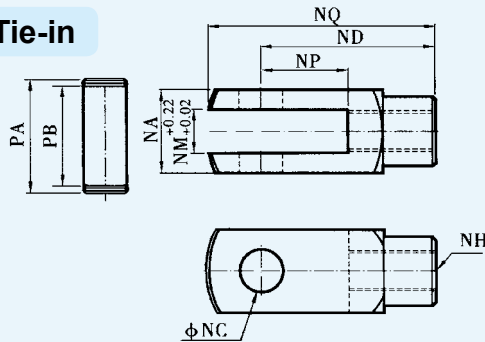
A

ISO15552标准气缸安装附件

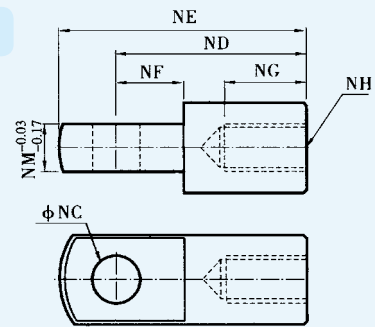
Mounting and Accessories for ISO15552 Standard Cylinder

外形尺寸 | Overall Dimension

Y接头 Tie-in

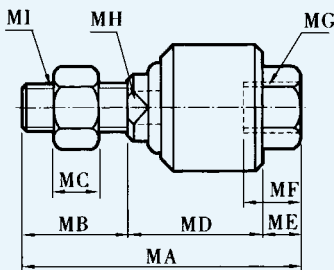


I接头 Tie-in



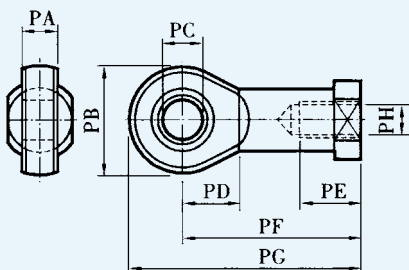
| 缸径 / 符号 Bore / Symbol | NA | NC | ND | NE | NF | NG | NH | NM | NP | NQ | PA | PB |
|--------------------------|------|----|-----|-----|----|----|----------|----|----|-----|------|------|
| 32 | 19 | 10 | 40 | 52 | 15 | 20 | M10×1.25 | 10 | 20 | 52 | 26.2 | 20 |
| 40 | 25.4 | 12 | 48 | 67 | 24 | 20 | M12×1.25 | 12 | 24 | 62 | 32.8 | 26.5 |
| 50 | 32 | 16 | 64 | 89 | 32 | 23 | M16×1.5 | 16 | 32 | 83 | 39.3 | 33 |
| 63 | 32 | 16 | 64 | 89 | 32 | 23 | M16×1.5 | 16 | 32 | 83 | 39.3 | 33 |
| 80 | 44.4 | 20 | 80 | 112 | 40 | 30 | M20×1.5 | 20 | 40 | 105 | 53.3 | 45 |
| 100 | 44.4 | 20 | 80 | 112 | 40 | 30 | M20×1.5 | 20 | 40 | 105 | 53.3 | 45 |
| 125 | 55 | 30 | 110 | 155 | 50 | 56 | M27×2.0 | 30 | 54 | 148 | 64 | 55.6 |
| 160 | 70 | 35 | 144 | 201 | 50 | 72 | M36×2.0 | 35 | 72 | 191 | 80 | 70.6 |
| 200 | 70 | 35 | 144 | 201 | 55 | 72 | M36×2.0 | 35 | 72 | 191 | 80 | 70.6 |

浮动接头 / Float Joint



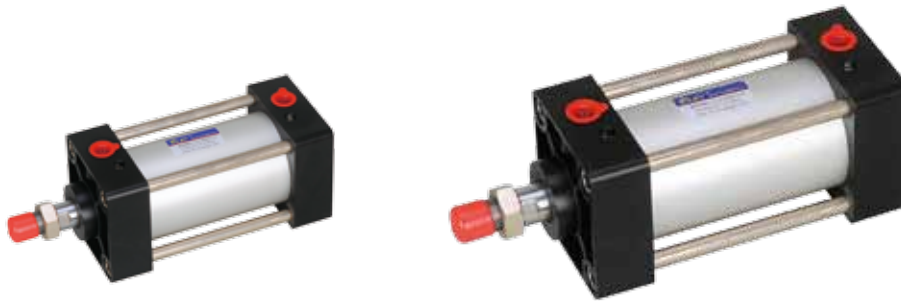
| 缸径 / 符号 Bore / Symbol | MA | MB | MC | MD | ME | MF | MG | MH | MI |
|--------------------------|-----|----|------|-----|----|----|----------|----|----------|
| 32 | 73 | 20 | 6 | 45 | 8 | 26 | M10×1.25 | 12 | M10×1.25 |
| 40 | 77 | 24 | 7 | 46 | 7 | 26 | M12×1.25 | 12 | M12×1.25 |
| 50 | 106 | 32 | 8 | 62 | 12 | 34 | M16×1.5 | 19 | M16×1.5 |
| 63 | 106 | 32 | 8 | 62 | 12 | 34 | M16×1.5 | 19 | M16×1.5 |
| 80 | 122 | 40 | 10 | 68 | 14 | 42 | M20×1.5 | 19 | M20×1.5 |
| 100 | 122 | 40 | 10 | 68 | 14 | 42 | M20×1.5 | 19 | M20×1.5 |
| 125 | 147 | 54 | 13.5 | 77 | 16 | 40 | M27×2.0 | 24 | M27×2.0 |
| 160 | 251 | 72 | 18 | 161 | 18 | 78 | M36×2.0 | 36 | M36×2.0 |
| 200 | 251 | 72 | 18 | 161 | 18 | 78 | M36×2.0 | 36 | M36×2.0 |

鱼眼接头 / Fish eye Joint



| 缸径 / 符号 Bore / Symbol | PA | PB | PC | PD | PE | PF | PG | PH |
|--------------------------|----|----|----|----|----|-----|-----|----------|
| 32 | 14 | 28 | 10 | 15 | 20 | 43 | 57 | M10×1.25 |
| 40 | 16 | 32 | 12 | 17 | 22 | 50 | 66 | M12×1.25 |
| 50 | 21 | 42 | 16 | 22 | 28 | 64 | 85 | M16×1.5 |
| 63 | 21 | 42 | 16 | 22 | 28 | 64 | 85 | M16×1.5 |
| 80 | 25 | 50 | 20 | 26 | 33 | 77 | 102 | M20×1.5 |
| 100 | 25 | 50 | 20 | 26 | 33 | 77 | 102 | M20×1.5 |
| 125 | 37 | 70 | 30 | 36 | 51 | 110 | 145 | M27×2.0 |
| 160 | 43 | 80 | 35 | 41 | 56 | 125 | 165 | M36×2.0 |
| 200 | 43 | 50 | 35 | 41 | 56 | 125 | 165 | M36×2.0 |

CA2系列标准气缸(Ø40~Ø100) CA2 Series Standard Cylinder (Ø40~Ø100)



订购码 | Ordering Code

| | | | | | | | | | | | | |
|--|--|--|---|---|---------------------|---|---|--|-----------|----------|------------|--------------------------|
| C | D | A2 | L | <input type="checkbox"/> | 50 | <input type="checkbox"/> | - | 100 | JN | - | M9B | <input type="checkbox"/> |
| 内置磁环 无记号: 无内置磁环 D: 内置磁环 Built-in Magnet Blank: Without auto switch D: With auto switch | 安装形式 B: 基本型 L: 轴向脚座型 F: 杆侧法兰型 G: 无杆侧法兰型 C: 单耳环型 D: 双耳环型 T: 中间耳轴型 Install Type B: Basic type L: Axial foot type F: Rod side flange type G: Rodless side flange type C: Single clevis type D: Double clevis type T: Middle clevis type | 缸筒材质 无记号: 铝筒 *F: 铁筒(带磁性开关不可用) Barrel Material Blank: Aluminum L: Iron (Magnetic switch is not available) | 缸径 Bore Φ40 Φ50 Φ63 Φ80 Φ100 | 通口螺纹 Thread 无记号 Blank: Rc TN: NPT TF: G | 行程 Stroke | 防护套/缓冲 防护套- 无记号: 无 J: 尼龙帆布 K: 耐热帆布 气缓冲- 无记号: 两侧带气缓冲 N: 无气缓冲 Protective / Buffer Protective- Blank: Without J: Nylon tarpaulin K: Heat resistant tarpaulin Air Buffer- Blank: Both sides with air buffer N: Without air buffer | 磁性开关的型号 无记号: 无磁性开关 Sensor Model Blank: Without Magnet *磁性开关型号参见行程/磁性开关型号表 *未内置磁环无此项 | 磁性开关个数 无记号: 2个 S: 1个 3: 3个 n: n个 Number of Sensor Blank: 2 pcs S: 1 pc 3: 3 pcs n: "n" pcs | | | | |

规格 | Specification

| | | | | | |
|--|--|----|-----|----|-----|
| 缸径 Bore (mm) | 40 | 50 | 63 | 80 | 100 |
| 使用压力范围/Operating Voltage Range | 0.05~1.0 MPa | | | | |
| 环境和流体温度/Condition and Medium Temperature | 无磁性开关 Without sensor switch: -10℃~+70℃, 带磁性开关 With sensor switch: -10℃~+60℃ | | | | |
| 使用活塞速度/Working Frequency | 50~500mm/s | | | | |
| 缓冲/Buffer | 气缓冲 Air Buffer | | | | |
| 行程长度允差/Margin of Stroke Error (mm) | ~250 δ ^{1.0} , 251~1000 δ ^{1.4} , 1001~1500 δ ^{1.8} | | | | |
| 给油/Lubricate | 不需要 Not Necessary | | | | |
| 接管口径/Port Size(Rc) | 1/4 | | 3/8 | | 1/2 |

行程/磁性开关型号表 | Stroke/Sensor Model Sheet

| 缸径 Bore (mm) | 标准行程 Standard Stroke (mm) ^{注1)} | 磁性开关型号 ^{注2)} Sensor Model | | 磁性开关安装件 Sensor Switch Mounting | |
|-----------------|--|---------------------------------------|-----|-----------------------------------|-------|
| | | 拉杆安装 Rod installation | | M9 $\frac{N}{B}$ | 仅A54 |
| 40 | 25,50,75,100,125,150,175,200,250,300,350,400,450,500 | M9N M9P M9B | A54 | BA7-040 | BT-04 |
| 50 | 25,50,75,100,125,150,175,200,250,300,350,400,500,600 | | | BA7-063 | BT-06 |
| 63 | 25,50,75,100,125,150,175,200,250,300,350,400,450,500,600,700 | | | BA7-080 | BT-08 |
| 80 | | | | | |
| 100 | | | | | |

注1)有非标准行程。

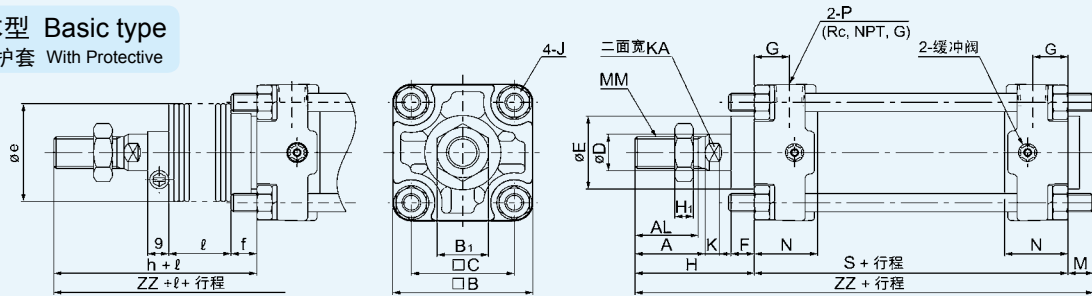
注2)磁性开关导线长度记号: 无记号-0.5m, L-3m, Z-5m。

CA2系列标准气缸(Ø40~Ø100)

CA2 Series Standard Cylinder (Ø40~Ø100)

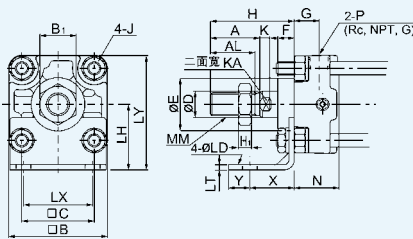
外形尺寸 | Overall Dimension

基本型 Basic type
带防护套 With Protective

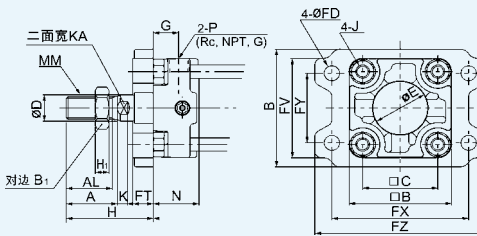


| 缸径 Bore (mm) | 行程范围 Stroke Range | | A | AL | □B | B1 | □C | D | E | F | G | H ₁ | J | K | KA | M | MM | N | P | S | 无防护套 | | 带防护套 | | | | |
|--------------|-------------------|--------|----|----|-----|----|----|----|----|----|----|----------------|----------|----|----|----|---------|----|-----|-----|------|-----|------|------|----|-------|-----|
| | 无防护套 | 带防护套 | | | | | | | | | | | | | | | | | | | H | ZZ | e | f | h | ℓ | ZZ |
| 40 | -500 | 20-500 | 30 | 27 | 60 | 22 | 44 | 16 | 32 | 10 | 15 | 8 | M8X1.25 | 6 | 14 | 11 | M14X1.5 | 27 | 1/4 | 84 | 51 | 146 | 43 | 11.2 | 59 | 1/4行程 | 154 |
| 50 | -600 | 20-600 | 35 | 32 | 70 | 27 | 52 | 20 | 40 | 10 | 17 | 11 | M8X1.25 | 7 | 18 | 11 | M18X1.5 | 30 | 3/8 | 90 | 58 | 159 | 52 | 11.2 | 66 | 1/4行程 | 167 |
| 63 | -600 | 20-600 | 35 | 32 | 85 | 27 | 64 | 20 | 40 | 10 | 17 | 11 | M10X1.25 | 7 | 18 | 14 | M18X1.5 | 31 | 3/8 | 98 | 58 | 170 | 52 | 11.2 | 66 | 1/4行程 | 178 |
| 80 | -750 | 20-750 | 40 | 37 | 102 | 32 | 78 | 25 | 52 | 14 | 21 | 13 | M12X1.75 | 10 | 22 | 17 | M22X1.5 | 37 | 1/2 | 116 | 71 | 204 | 65 | 12.5 | 80 | 1/4行程 | 213 |
| 100 | -750 | 20-750 | 40 | 37 | 116 | 41 | 92 | 30 | 52 | 14 | 21 | 16 | M12X1.75 | 10 | 26 | 17 | M26X1.5 | 40 | 1/2 | 126 | 72 | 215 | 65 | 14 | 81 | 1/4行程 | 224 |

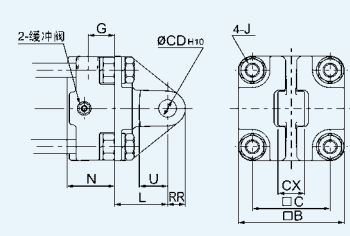
脚座型 Foot type



法兰型 Flange type

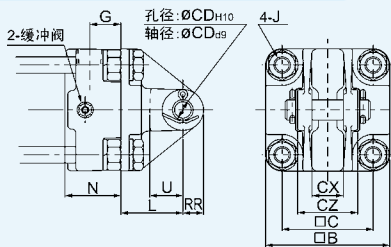


单耳环型 Single clevis type

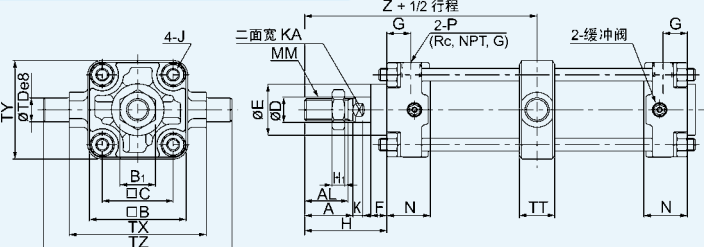


| 缸径 Bore (mm) | 脚座 Foot | | | | | | | | 法兰 Flange | | | | | | | | 单耳环 Single clevis | | | | | |
|--------------|--------------|----|----|-----|----|----|-----|------|--------------|----|------|-----|-----|-----|----|-----|-------------------|-----------------------------------|----|----|----|--------------------------------------|
| | 零件号 Part No. | LH | LX | LY | X | Y | LT | LD | 零件号 Part No. | FT | FD | B | FV | FX | FY | FZ | 零件号 Part No. | CD | U | L | RR | CX |
| 40 | CA2-L04 | 40 | 42 | 70 | 27 | 13 | 3.2 | 9 | CA2-F04 | 12 | 9 | 71 | 60 | 80 | 42 | 100 | CA2-C04 | 10 ^{+0.058} ₀ | 16 | 30 | 10 | 15 ^{-0.1} _{-0.3} |
| 50 | CA2-L05 | 45 | 50 | 80 | 27 | 13 | 3.2 | 9 | CA2-F05 | 12 | 9 | 81 | 70 | 90 | 50 | 110 | CA2-C05 | 12 ^{+0.07} ₀ | 19 | 35 | 12 | 18 ^{-0.1} _{-0.3} |
| 63 | CA2-L06 | 50 | 59 | 93 | 34 | 16 | 3.2 | 11.5 | CA2-F06 | 15 | 11.5 | 101 | 86 | 105 | 59 | 130 | CA2-C06 | 16 ^{+0.07} ₀ | 23 | 40 | 16 | 25 ^{-0.1} _{-0.3} |
| 80 | CA2-L08 | 65 | 76 | 116 | 44 | 16 | 4.5 | 13.5 | CA2-F08 | 18 | 13.5 | 119 | 102 | 130 | 76 | 160 | CA2-C08 | 20 ^{+0.084} ₀ | 28 | 48 | 20 | 31.5 ^{-0.1} _{-0.3} |
| 100 | CA2-L10 | 75 | 92 | 133 | 43 | 17 | 6.0 | 13.5 | CA2-F10 | 18 | 13.5 | 133 | 116 | 150 | 92 | 180 | CA2-C10 | 25 ^{+0.084} ₀ | 36 | 58 | 25 | 35.5 ^{-0.1} _{-0.3} |

双耳环型 Double clevis type



中间耳轴型 Middle clevis type



| 缸径 Bore (mm) | 双耳环 Double clevis | | | | | | | 中间耳轴 Middle clevis | | | | | |
|--------------|-------------------|-----------------------------------|----|----|----|--------------------------------------|------|--------------------|--|-----|-----|--------------|---------|
| | 零件号 Part No. | CD | U | L | RR | CX | CZ | TD | TX | TZ | TT | 零件号 Part No. | |
| 40 | CA2-D04 | 10 ^{+0.058} ₀ | 16 | 30 | 10 | 15 ^{+0.1} _{+0.3} | 29.5 | 62 | 15 ^{-0.032} _{-0.059} | 85 | 117 | 22 | CA2-S04 |
| 50 | CA2-D05 | 12 ^{+0.07} ₀ | 19 | 35 | 12 | 18 ^{+0.1} _{+0.3} | 38 | 74 | 15 ^{-0.032} _{-0.059} | 95 | 127 | 22 | CA2-S04 |
| 63 | CA2-D06 | 16 ^{+0.07} ₀ | 23 | 40 | 16 | 25 ^{+0.1} _{+0.3} | 49 | 90 | 18 ^{-0.032} _{-0.059} | 110 | 148 | 28 | CA2-S06 |
| 80 | CA2-D08 | 20 ^{+0.084} ₀ | 28 | 48 | 20 | 31.5 ^{+0.1} _{+0.3} | 61 | 110 | 25 ^{-0.040} _{-0.073} | 140 | 192 | 34 | MB-S10 |
| 100 | CA2-D10 | 25 ^{+0.084} ₀ | 36 | 58 | 25 | 35.5 ^{+0.1} _{+0.3} | 64 | 130 | 25 ^{-0.040} _{-0.073} | 162 | 214 | 40 | MB-S10 |

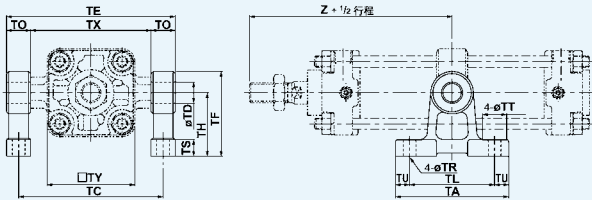
CA2系列标准气缸(Ø40~Ø100)

CA2 Series Standard Cylinder (Ø40~Ø100)

外形尺寸 | Overall Dimension

耳轴脚座 Trunnion foot

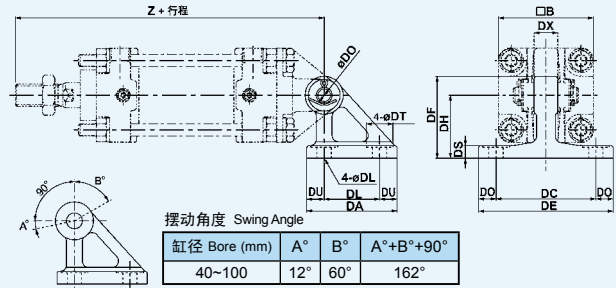
材质: 铸铁



※本组图是参考图, 耳轴用脚座请另行订货。

双耳环脚座 Double clevis foot

材质: 铸铁

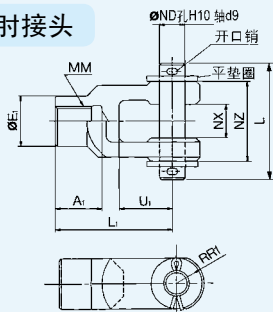


| 型号 Model | 缸径 Bore (mm) | TA | TL | TU | TC | TX | TE | TO | TR | TT | TS | TH | TF | TY | Z | TD-H10 (孔) |
|----------|--------------|-----|----|----|-----|-----|-----|----|------|----|----|----|-----|-----|-----|-----------------------------------|
| CA2-S04 | 40 | 80 | 60 | 10 | 102 | 85 | 119 | 17 | 9 | 17 | 12 | 45 | 60 | 62 | 93 | 15 ^{+0.070} ₀ |
| | 50 | 80 | 60 | 10 | 112 | 95 | 129 | 17 | 9 | 17 | 12 | 45 | 60 | 74 | 103 | 15 ^{+0.070} ₀ |
| CA2-S06 | 63 | 100 | 70 | 15 | 130 | 110 | 150 | 20 | 11 | 22 | 14 | 55 | 73 | 90 | 107 | 18 ^{+0.070} ₀ |
| CA2-S10 | 80 | 120 | 90 | 15 | 166 | 140 | 192 | 26 | 13.5 | 24 | 17 | 75 | 100 | 110 | 129 | 25 ^{+0.084} ₀ |
| | 100 | 120 | 90 | 15 | 188 | 162 | 214 | 26 | 13.5 | 24 | 17 | 75 | 100 | 130 | 135 | 25 ^{+0.084} ₀ |

| 型号 Model | 缸径 Bore (mm) | DA | DL | DU | DC | DX | DE | DO | DR | DT | DS | DH | DF | B | Z | DDH10 (孔) |
|----------|--------------|----|----|------|-----|------|-----|------|------|----|----|----|----|-----|-----|-----------------------------------|
| CA2-B04 | 40 | 57 | 35 | 11 | 65 | 15 | 85 | 10 | 9 | 17 | 8 | 40 | 52 | 60 | 165 | 10 ^{+0.058} ₀ |
| CA2-B05 | 50 | 57 | 35 | 11 | 65 | 18 | 85 | 10 | 9 | 17 | 8 | 40 | 52 | 70 | 183 | 12 ^{+0.070} ₀ |
| CA2-B06 | 63 | 67 | 40 | 13.5 | 80 | 25 | 105 | 12.5 | 11 | 22 | 10 | 50 | 66 | 85 | 196 | 16 ^{+0.070} ₀ |
| CA2-B08 | 80 | 93 | 60 | 16.5 | 100 | 31.5 | 130 | 15 | 13.5 | 24 | 12 | 65 | 90 | 102 | 235 | 20 ^{+0.084} ₀ |
| CA2-B010 | 100 | 93 | 60 | 16.5 | 100 | 35.5 | 130 | 15 | 13.5 | 24 | 12 | 65 | 90 | 116 | 256 | 25 ^{+0.084} ₀ |

附件 Accessory

Y形双肘接头 Y joint



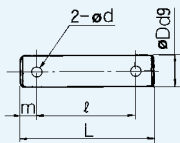
材质: 铸铁

(mm)

| 型号 Model | 适合缸径 Bore (mm) | A1 | E1 | L1 | MM | RR1 | U1 | ND | NX | NZ | L | 开口销尺寸 | 平垫圈尺寸 |
|----------|----------------|----|----|----|---------|-----|----|----|------------------------------------|----|------|--------|-------|
| Y-04D | 40 | 22 | 24 | 55 | M14x1.5 | 13 | 25 | 12 | 16 ^{+0.3} _{+0.1} | 38 | 55.5 | Ø3×18/ | 研磨孔12 |
| Y-05D | 50, 63 | 27 | 28 | 60 | M18x1.5 | 15 | 27 | 12 | 16 ^{+0.3} _{+0.1} | 38 | 55.5 | Ø3×18/ | 研磨孔12 |
| Y-08D | 80 | 37 | 36 | 71 | M22x1.5 | 19 | 28 | 18 | 28 ^{+0.3} _{+0.1} | 55 | 76.5 | Ø4×25/ | 研磨孔18 |
| Y-10D | 100 | 37 | 40 | 83 | M26x1.5 | 21 | 38 | 20 | 30 ^{+0.3} _{+0.1} | 61 | 83 | Ø4×30/ | 研磨孔20 |

附肘节用销轴、开口销、平垫圈。

耳环用销轴/肘节用销轴 Pin

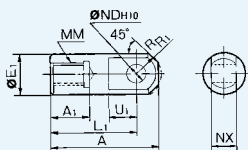


材质: 碳钢

(mm)

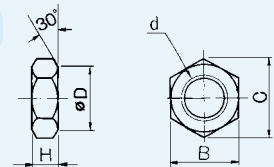
| 型号 Model | 适合缸径 Bore (mm) | | Dd9 | L | / | m | d通孔 | 使用的开口销 | 使用的平垫圈 |
|----------|----------------|----------|--|------|------|---|-----|--------|--------|
| | 耳环 | 肘节 | | | | | | | |
| CDP-2A | 40 | - | 10 ^{-0.040} _{-0.076} | 46 | 38 | 4 | 3 | Ø3×18/ | 研磨孔10 |
| CDP-3A | 50 | 40,50,63 | 12 ^{-0.050} _{-0.093} | 55.5 | 47.5 | 4 | 3 | Ø3×18/ | 研磨孔12 |
| CDP-4A | 63 | - | 16 ^{-0.050} _{-0.093} | 71 | 61 | 5 | 4 | Ø4×25/ | 研磨孔16 |
| CDP-5A | - | 80 | 18 ^{-0.050} _{-0.093} | 76.5 | 66.5 | 5 | 4 | Ø4×25/ | 研磨孔18 |
| CDP-6A | 80 | 100 | 20 ^{-0.065} _{-0.117} | 83 | 73 | 5 | 4 | Ø4×30/ | 研磨孔20 |
| CDP-7A | 100 | - | 25 ^{-0.065} _{-0.117} | 88 | 78 | 5 | 4 | Ø4×36/ | 研磨孔24 |

I形单肘接头 I joint



材质: 易切削钢

杆端螺母 (标准装备) Rod end nut



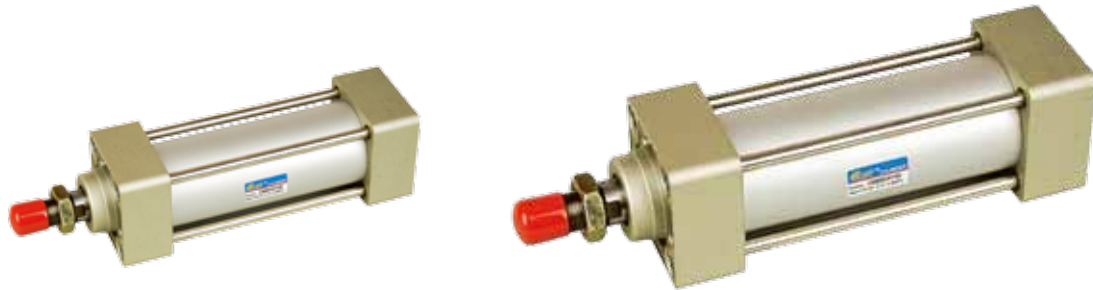
材质: 轧辊钢材

| 型号 Model | 适合缸径 Bore (mm) | A | A1 | E1 | L1 | MM | R1 | U1 | ND ^{H10} | NX |
|----------|----------------|-----|----|----|----|---------|------|----|-----------------------------------|------------------------------------|
| I-04A | 40 | 69 | 22 | 24 | 55 | M14x1.5 | 15.5 | 20 | 12 ^{+0.007} ₀ | 16 ^{-0.1} _{-0.3} |
| I-05A | 50, 63 | 74 | 27 | 28 | 60 | M18x1.5 | 15.5 | 20 | 12 ^{+0.007} ₀ | 16 ^{-0.1} _{-0.3} |
| I-08A | 80 | 91 | 37 | 36 | 71 | M22x1.5 | 22.5 | 26 | 18 ^{+0.007} ₀ | 28 ^{-0.1} _{-0.3} |
| I-10A | 100 | 105 | 37 | 40 | 83 | M26x1.5 | 24.5 | 28 | 20 ^{+0.084} ₀ | 30 ^{-0.1} _{-0.3} |

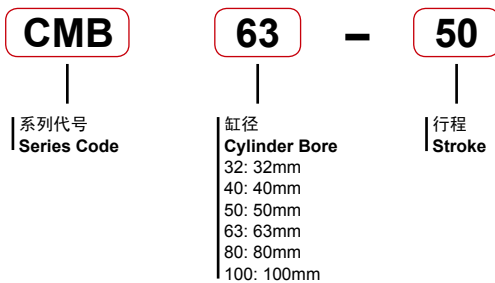
| 型号 Model | 适合缸径 Bore (mm) | d | H | B | C | D |
|----------|----------------|---------|----|----|------|----|
| NT-04 | 40 | M14x1.5 | 8 | 22 | 25.4 | 21 |
| NT-05 | 50, 63 | M18x1.5 | 11 | 27 | 31.2 | 26 |
| NT-08 | 80 | M22x1.5 | 13 | 32 | 37.0 | 31 |
| NT-10 | 100 | M26x1.5 | 16 | 41 | 47.3 | 39 |

CMB系列气缸

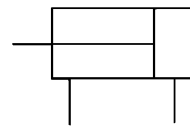
CMB Series Cylinder



订购码 | Ordering Code



图形符号 | Graphic Symbol



规格 | Specification

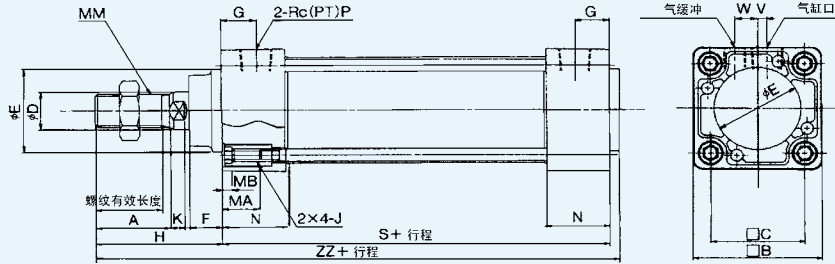
| 内径 Bore (mm) | 32 | 40 | 50 | 63 | 80 | 100 |
|---|-----------------------------------|-----|---------------------------------------|-----|--|-----|
| 工作介质 Working Medium | 空气 Air | | | | | |
| 动作型式 Motion Pattern | 双动 Double Action | | | | | |
| 保证耐压力 Ensured proof pressure | 1.5MPa | | | | | |
| 最高使用压力 Max. Operating Pressure | 1.0MPa | | | | | |
| 最低使用压力 Min. Operating Pressure | 0.05MPa | | | | | |
| 环境和流体温度 Condition and Medium Temperature | -10~60℃ | | | | | |
| 活塞速度 Piston Speed | 50~1000 mm/s | | | | | |
| 缓冲 Buffer | 气缓冲 Air Buffer | | | | | |
| 行程公差 Stroke Allowable Error | ~250 ^{+1.0} ₀ | | 251~1000 ^{+1.4} ₀ | | 1001~1500 ^{+1.8} ₀ | |
| *润滑 Lubricate | 不需要 Non | | | | | |
| 接管口径RC (PT) Port Size RC(PT) | 1/8 | 1/4 | | 3/8 | | 1/2 |

如果需要润滑，请用透平1号油ISOVG32。

CMB系列气缸

CMB Series Cylinder

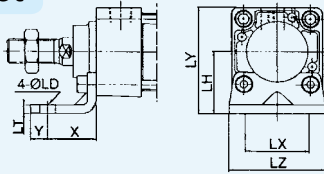
外形尺寸 | Overall Dimension



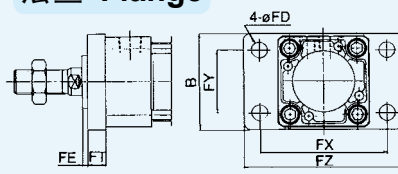
| 缸径 Bore | 行程范围 Stroke Range | 螺纹有效长度 | A | □B | □C | ΦD | ΦE | F | G | MA | MB | J | K | MM | N | P | S | V | W | H | ZZ |
|------------|----------------------|--------|----|-----|------|----|----|----|------|----|----|---------|----|----------|------|-----|-----|------|------|----|-----|
| 32 | ~500 | 19.5 | 22 | 46 | 32.5 | 12 | 30 | 13 | 13 | 16 | 4 | M6×1.0 | 6 | M10×1.25 | 27 | 1/8 | 84 | 4 | 6.5 | 47 | 135 |
| 40 | ~500 | 27 | 30 | 52 | 38 | 16 | 35 | 13 | 14 | 16 | 4 | M6×1.0 | 6 | M14×1.5 | 27 | 1/4 | 84 | 4 | 9 | 51 | 139 |
| 50 | ~600 | 32 | 35 | 65 | 46.5 | 20 | 40 | 14 | 15.5 | 16 | 5 | M8×1.25 | 7 | M18×1.5 | 31.5 | 1/4 | 94 | 5 | 10.5 | 58 | 156 |
| 63 | ~600 | 32 | 35 | 75 | 56.5 | 20 | 45 | 14 | 16.5 | 16 | 5 | M8×1.25 | 7 | M18×1.5 | 31.5 | 3/8 | 94 | 9 | 12 | 58 | 156 |
| 80 | ~750 | 37 | 40 | 95 | 72 | 25 | 45 | 20 | 19 | 16 | 5 | M10×1.5 | 10 | M22×1.5 | 38 | 3/8 | 114 | 11.5 | 14 | 72 | 190 |
| 100 | ~750 | 37 | 40 | 114 | 89 | 30 | 55 | 20 | 19 | 16 | 5 | M10×1.5 | 10 | M26×1.5 | 38 | 1/2 | 114 | 17 | 15 | 72 | 190 |

附件外形尺寸 | Accessory Overall Dimension

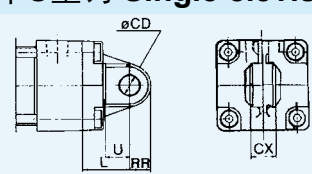
脚座 Foot



法兰 Flange

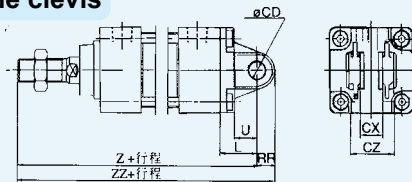


单U型钩 Single clevis

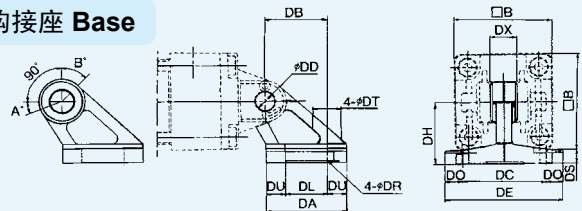


| 缸径 Bore | 脚座 Foot | | | | | | | | | | 法兰 Flange | | | | | | | 单U型钩 Single clevis | | | | | | | |
|------------|-------------|----|----|-----|----|-----|-----|----|-------|-----|-----------|-------------|-----|-----|----|----|-----|--------------------|-----|-------------|----|------|----|-----|----|
| | 零件号Part No. | X | Y | ΦLD | LH | LS | LT | LX | LY | LZ | ZZ | 零件号Part No. | B | ΦFD | FE | FT | FX | FY | FZ | 零件号Part No. | L | RR | U | ΦCD | CX |
| 32 | MB-L03 | 22 | 9 | 7 | 30 | 128 | 3.2 | 32 | 53 | 50 | 162 | MB-F03 | 50 | 7 | 3 | 10 | 64 | 32 | 79 | MB-C03 | 23 | 10.5 | 13 | 10 | 14 |
| 40 | MB-L04 | 24 | 11 | 9 | 33 | 132 | 3.2 | 38 | 59 | 55 | 170 | MB-F04 | 55 | 9 | 3 | 10 | 72 | 36 | 90 | MB-C04 | 23 | 11 | 13 | 10 | 14 |
| 50 | MB-L05 | 27 | 11 | 9 | 40 | 148 | 3.2 | 46 | 72.5 | 70 | 190 | MB-F05 | 70 | 9 | 2 | 12 | 90 | 45 | 110 | MB-C05 | 30 | 15 | 17 | 14 | 20 |
| 63 | MB-L06 | 27 | 14 | 12 | 45 | 148 | 3.6 | 56 | 82.5 | 80 | 193 | MB-F06 | 80 | 9 | 2 | 12 | 100 | 50 | 120 | MB-C06 | 30 | 15 | 17 | 14 | 20 |
| 80 | MB-L08 | 30 | 14 | 12 | 55 | 174 | 4.5 | 72 | 102.5 | 100 | 230 | MB-F08 | 100 | 12 | 4 | 16 | 126 | 63 | 153 | MB-C08 | 42 | 23 | 26 | 22 | 30 |
| 100 | MB-L10 | 32 | 16 | 14 | 65 | 178 | 4.5 | 89 | 122 | 120 | 234 | MB-F10 | 120 | 14 | 4 | 16 | 150 | 75 | 178 | MB-C10 | 42 | 23 | 26 | 22 | 30 |

双U型钩 Double clevis



双U型钩接座 Base



| 缸径 Bore | 双U型钩 Double clevis | | | | | | | 双U型钩接座 Double clevis Base | | | | | | | | | | | | | | | | | | |
|------------|--------------------|----|------|----|-----|----|----|---------------------------|-------|-------------|-----|----|----|----|------|----|----|-----|------|-----|-----|----|----|-----|----|----|
| | 零件号Part No. | L | RR | U | ΦCD | CX | CZ | Z | ZZ | 零件号Part No. | □B | DA | DB | DL | DU | DC | DX | DE | DO | ΦDR | ΦDT | DS | DH | ΦDD | A° | B° |
| 32 | MB-D03 | 23 | 10.5 | 13 | 10 | 14 | 28 | 154 | 164.5 | MB-B03 | 46 | 42 | 32 | 22 | 10 | 44 | 14 | 62 | 9 | 6.6 | 15 | 7 | 33 | 10 | 25 | 45 |
| 40 | MB-D04 | 23 | 11 | 13 | 10 | 14 | 28 | 158 | 169 | MB-B03 | 52 | 42 | 32 | 22 | 10 | 44 | 14 | 62 | 9 | 6.6 | 15 | 7 | 33 | 10 | 25 | 45 |
| 50 | MB-D05 | 30 | 15 | 17 | 14 | 20 | 40 | 182 | 197 | MB-B05 | 64 | 53 | 43 | 30 | 11.5 | 60 | 20 | 81 | 10.5 | 9 | 18 | 8 | 45 | 14 | 40 | 60 |
| 63 | MB-D06 | 30 | 15 | 17 | 14 | 20 | 40 | 182 | 197 | MB-B05 | 75 | 53 | 43 | 30 | 11.5 | 60 | 20 | 81 | 10.5 | 9 | 18 | 8 | 45 | 14 | 40 | 60 |
| 80 | MB-D08 | 42 | 23 | 26 | 22 | 30 | 60 | 228 | 251 | MB-B08 | 95 | 73 | 64 | 45 | 14 | 86 | 30 | 111 | 12.5 | 11 | 22 | 10 | 65 | 22 | 30 | 55 |
| 100 | MB-D10 | 42 | 23 | 26 | 22 | 30 | 60 | 228 | 251 | MB-B08 | 114 | 73 | 64 | 45 | 14 | 86 | 30 | 111 | 12.5 | 11 | 22 | 10 | 65 | 22 | 30 | 55 |

SCQA系列标准气缸

SCQA Series Standard Cylinder



产品特性 | Speciality

- 1.免给油：采用含油合金，特殊轴承套，使活塞杆无需给油。
- 2.高品质，耐久佳：气压缸管采用铝合金材质，经过氧化铝膜处理，更具耐磨，耐腐蚀性。
- 3.非标准规格：对加装防尘套，各种杆端型式尺寸及型录规定之以外行程，请与本公司联系承制。
- 4.多样化支架：多种固定式及非固定式支架，供客户选择。

- 1.Non-lubrication.
Special housing and bushing enables self lubrication of piston rod.
- 2.High quality-long service life.
Hard anodised aluminium cylinder tubes offer a high resistance to corrosion and low internal friction.
- 3.Non-standard type.
Custom cylinders are available as are non standard strokes, rod extensions and special rod threads.
- 4.Cylinder mountings.
Available with comprehensive internationally recognised range of fixed and flexible mountings.

行程 | Stroke

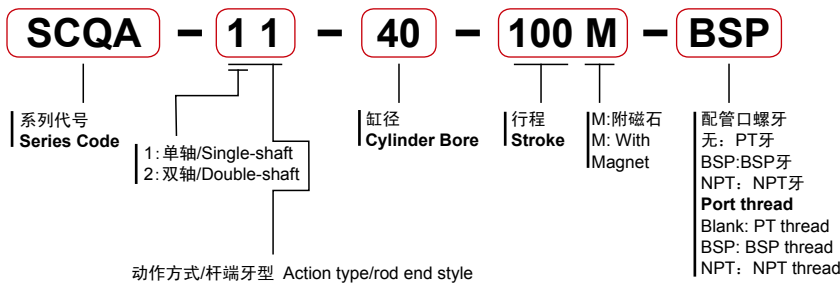
| 内径 Bore (mm) | 标准行程 Standard Stroke (mm) |
|--------------|---|
| Φ40 | 50 75 100 125 150 175 200 250 300 350 400 450 500 |
| Φ50, 63 | ↑ 600 |
| Φ80, 100 | ↑ 600 700 |
| Φ25, 50 | ↑ 600 700 800 900 1000 |
| Φ200 | ↑ 600 700 800 900 1000 1500 |

1. 非标准行程亦可承制
2. 非标准行程请洽业务人员
1. Stroke out of specification also available
2. Please consult us if stroke out of specification.

规格 | Specification

| 型号 Model | SCQA | | | | |
|------------------------------------|----------------------------|--------|------|------|-----|
| 气缸内径 (mm) Cylinder Bore | 40 50 63 | 80 100 | 125 | 150 | 200 |
| 使用流体 Operation Fluid | 空气 Air | | | | |
| 使用压力范围 Operation Pressure Range | 0.5-9.9kgf/cm ² | | | | |
| 耐压力 Pressure Resistance | 15kgf/cm ² | | | | |
| 周围温度 Circumference Temperature | -5℃~+60℃ (不冻结/No freezing) | | | | |
| 感应开关 Sensor Switch | RCA | | | | |
| 感应开关固定件 Sensor Switch Fixed | HV2 | HV4 | PM14 | PM16 | HA5 |

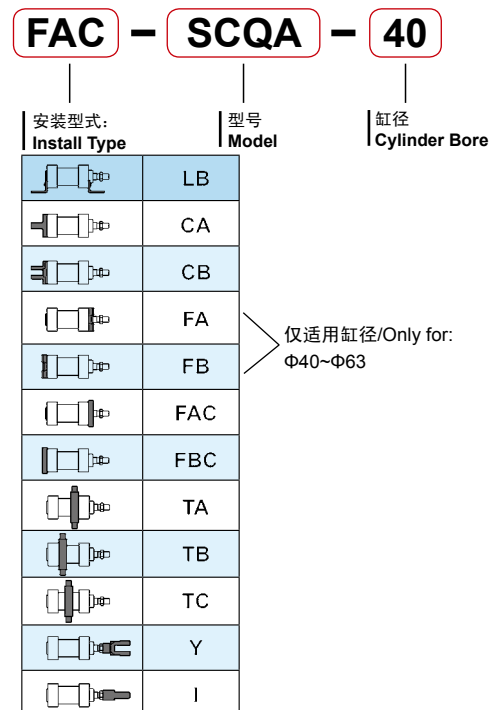
订购码 | Ordering Code



动作方式/杆端牙型 Action type/rod end style

| 代号 Code | 记号 Mark | 说明 |
|---------|---------|--|
| 1 | 1 | 复动外牙 Double action male thread |
| 2 | 1 | 双轴复动外牙 Double rod, male thread |
| 2 | 7 | 双轴复动可调行程外牙 Double action adjustable stroke |

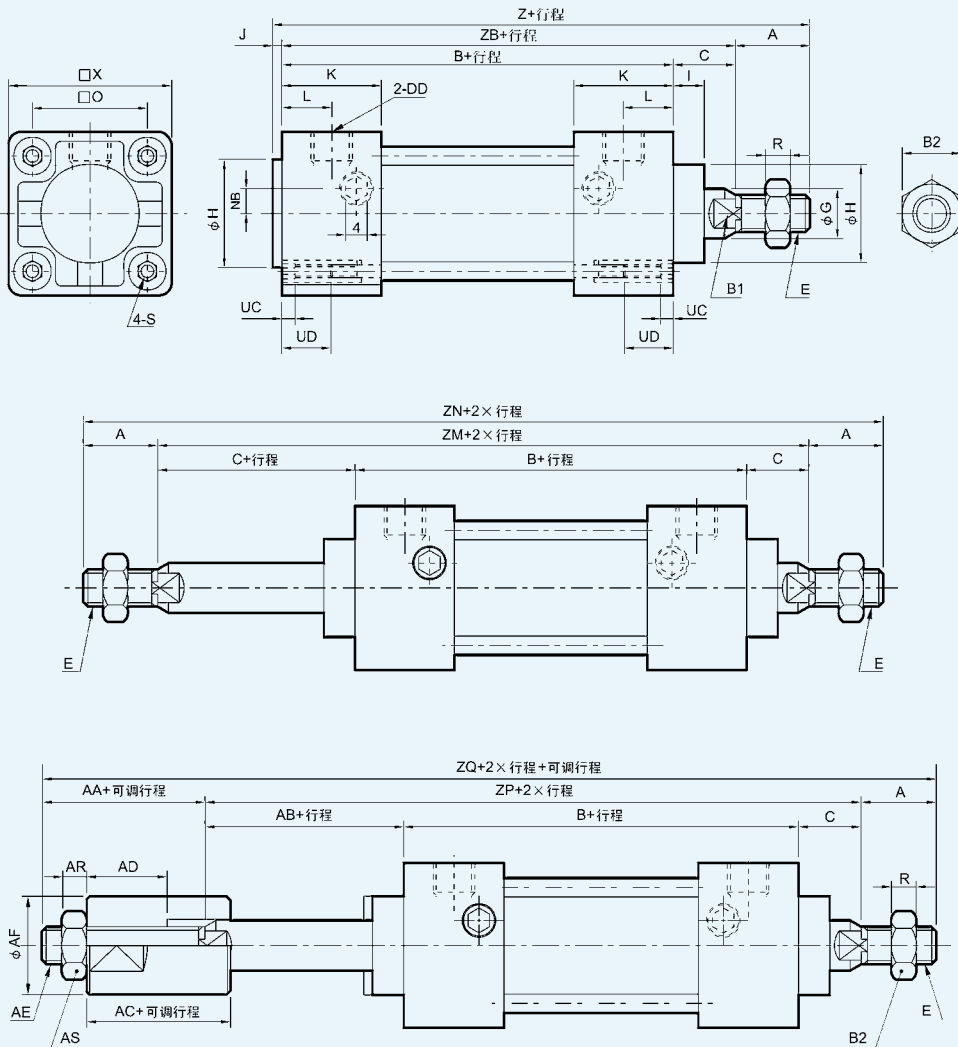
安装配件 | Install Accessory



SCQA系列标准气缸

SCQA Series Standard Cylinder

外形尺寸 | Overall Dimension



| 代号Code | A | AA | AB | AC | AD | AE | AF | AR | AS | B | B1 | B2 | C | DD | E | G | H |
|-----------|----|----|----|----|----|----------|----|----|----|-----|----|----|----|--------|---------|----|----|
| 内径Bore 40 | 30 | 21 | 18 | 12 | 7 | M12×1.25 | 30 | 7 | 19 | 84 | 14 | 22 | 21 | PT 1/4 | M14×1.5 | 16 | 32 |
| 50 | 35 | 23 | 18 | 15 | 10 | M16×1.5 | 40 | 8 | 24 | 90 | 17 | 27 | 23 | PT 3/8 | M18×1.5 | 20 | 40 |
| 63 | 35 | 23 | 18 | 15 | 10 | M16×1.5 | 40 | 8 | 24 | 98 | 17 | 27 | 23 | PT 3/8 | M18×1.5 | 20 | 40 |
| 80 | 40 | 33 | 24 | 20 | 14 | M22×1.5 | 50 | 13 | 32 | 116 | 22 | 32 | 31 | PT 1/2 | M22×1.5 | 25 | 45 |
| 100 | 40 | 33 | 24 | 20 | 14 | M22×1.5 | 50 | 13 | 32 | 126 | 27 | 36 | 32 | PT 1/2 | M26×1.5 | 30 | 52 |

| 代号Code | I | J | K | L | NB | O | R | S | US | UD | X | Z | ZB | ZM | ZN | ZP | ZQ |
|-----------|----|---|----|------|----|------|----|----------|----|----|-----|-----|-----|-----|-----|-----|-----|
| 内径Bore 40 | 11 | 3 | 26 | 13 | 8 | 40.5 | 8 | M8×1.25 | 4 | 12 | 58 | 138 | 105 | 126 | 186 | 123 | 174 |
| 50 | 11 | 3 | 28 | 14 | 0 | 48 | 11 | M8×1.25 | 4 | 12 | 66 | 151 | 113 | 136 | 206 | 131 | 189 |
| 63 | 11 | 3 | 30 | 15 | 0 | 49 | 11 | M8×1.25 | 4 | 12 | 80 | 159 | 121 | 144 | 214 | 139 | 197 |
| 80 | 15 | 4 | 34 | 17 | 0 | 74 | 13 | M12×1.75 | 4 | 15 | 100 | 191 | 147 | 178 | 258 | 171 | 244 |
| 100 | 15 | 5 | 37 | 18.5 | 0 | 90 | 14 | M12×1.75 | 4 | 15 | 118 | 203 | 158 | 190 | 270 | 182 | 255 |

SCQA-AH系列空油转换缸

SCQA-AH Series Air/Oil Converter



产品特性 | Speciality

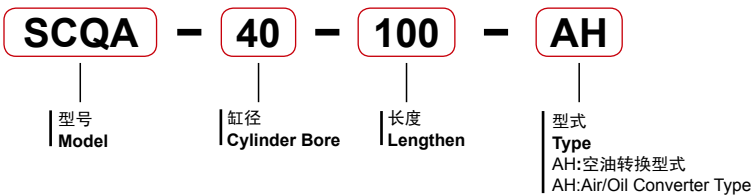
1. 建议：转换缸油面位移体积，约为转换缸总容积的50%。
2. 动作缸动作时，转换缸内之油面，容许最高上升速度为200mm/sec。
3. 转换缸指定之油面，相当为ISO-VG32级
4. 转换缸内之油面，达到最高油位时，油体的总体积不超过转换缸内总面积的80%。
5. 转换缸必须垂直安装，并且高于动作缸。

1. Consider cylinder thrust force is about 70%(50% high speed) of theoretical force. Displacement is suggested about 50% of total volume
2. Max. oil ascending speed is about 200mm/sec
3. ISO-VG32 or an equivalent oil is recommended.
- 4 Oil is feeded not exceeding 80% of total volume.
5. Unit should be installed vertically above the cylinder / actuator.

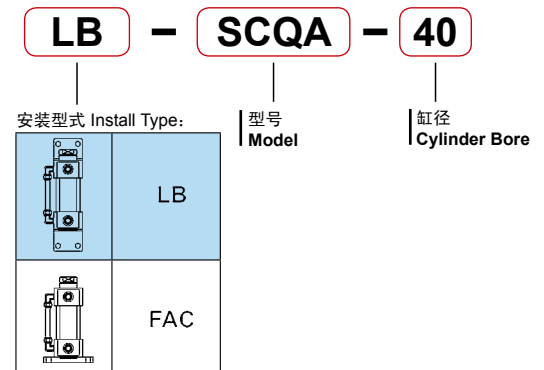
规格 | Specification

| 型号 Model | SCQA-AH |
|--------------------------------|-------------------------------|
| 气缸内径Cylinder Bore(mm) | 40, 50, 63, 80, 100, 125, 150 |
| 液压用油Hydraulic Oil | ISO VG32 (相当Worthiness) |
| 使用压力范围Operation Pressure Range | 0.5-9.9kgf/cm ² |
| 耐压力Pressure Resistance | 15kgf/cm ² |
| 周围温度Circumference Temperature | -5°C~+60°C (不冻结/No freezing) |

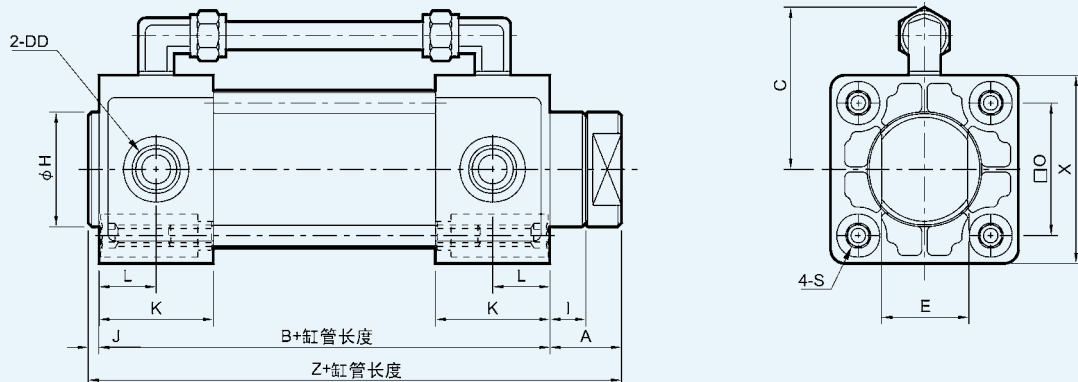
订购码 | Ordering Code



安装配件 | Install Accessory



外形尺寸 | Overall Dimension



| 代号Code | A | B | C | DD | E | F | FB | FF | FR | FU | FX | H | I | J | K | L | LB | LH | LL | LM | LR | LS | LT | LY | O | S | X | Z | ZA |
|--------|----|----|----|--------|----|----|------|-----|----|-----|-----|----|----|---|----|------|------|----|----|----|----|-----|-----|-----|------|----------|-----|-----|-----|
| 40 | 21 | 62 | 49 | PT 1/4 | 24 | 12 | 9 | 80 | 42 | 100 | 65 | 32 | 11 | 3 | 28 | 13 | 9 | 40 | 27 | 13 | 42 | 58 | 3.2 | 116 | 40.5 | M8×1.25 | 58 | 86 | 95 |
| 50 | 21 | 66 | 53 | PT 3/8 | 28 | 12 | 9 | 90 | 50 | 110 | 73 | 40 | 11 | 3 | 28 | 14 | 9 | 45 | 27 | 13 | 50 | 66 | 3.2 | 120 | 48 | M8×1.25 | 66 | 90 | 99 |
| 63 | 21 | 72 | 66 | PT 3/8 | 28 | 15 | 11.5 | 105 | 59 | 130 | 84 | 40 | 11 | 3 | 30 | 15 | 11.5 | 50 | 34 | 16 | 59 | 80 | 4.5 | 140 | 59 | M8×1.25 | 80 | 96 | 108 |
| 80 | 27 | 82 | 70 | PT 1/2 | 36 | 18 | 14 | 130 | 76 | 160 | 108 | 45 | 15 | 4 | 34 | 17 | 14 | 65 | 44 | 16 | 76 | 100 | 6.0 | 170 | 74 | M12×1.75 | 100 | 113 | 127 |
| 100 | 27 | 90 | 79 | PT 1/2 | 40 | 18 | 14 | 150 | 92 | 180 | 124 | 52 | 15 | 5 | 37 | 18.5 | 14 | 75 | 43 | 17 | 92 | 118 | 6.0 | 176 | 90 | M12×1.75 | 118 | 122 | 135 |

AKS系列夹持气缸

AKS Series Clamping Cylinder

规格 | Specification



| 系列/Series | AKS | AKSR |
|-------------------------|--|-------------------|
| 动作形式/Motion Pattern | 标准型/Standard | 感应型/Magnetic Type |
| 缸径/Bore | Φ40, Φ50, Φ63, Φ80 | |
| 使用流体/ Operation Fluid | 空气/Air | |
| 耐压力/Proof Pressure | 15kg/cm ² {1.5MPa} | |
| 使用压力/Operation Pressure | 0.7-9.9kg/cm ² {0.07-0.97MPa} | |
| 速度范围/Speed Range | 50~500mm/s | |
| 温度范围/Temperature Range | -10℃~+70℃ (不到结冰状态/non freezing) | |
| 缓冲/Buffer | 两端可调缓冲 /With adjustable at both ends | |
| 给油/Lubrication | 不需要/Not Necessary | |

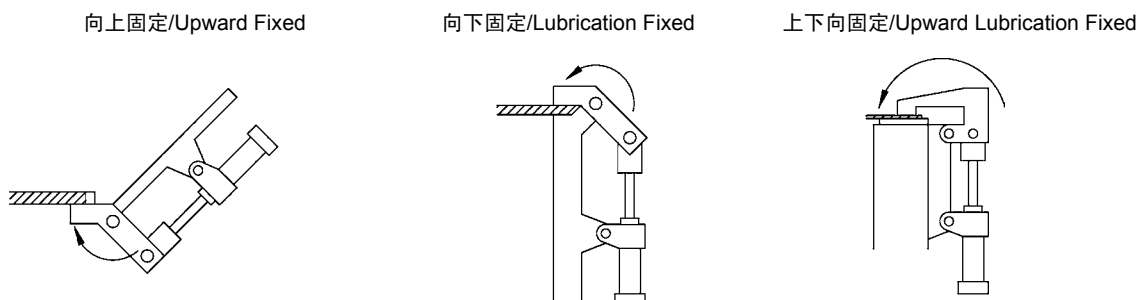
特点 | features

- 配管方向可三方向选择。
- 独特缓冲设计动作平稳。
- 可附加感应器，电气配线，控制容易。
- 采用免给油油封及轴承，可长时间作业。
- 使用高强度铝合金管，耐磨、耐蚀、永不生锈。
- 薄板点焊熔接，铆接作业等工件之夹紧专用气压缸。
- Using anodized aluminium alloy barrel ensures Better abrasion and corrosion proof.
- Use unlubricated bush , seals for durable service life .
- Piping position is versatile.
- With cushion at both ends to reduce impact.
- Available with magnetic piston and reed switch

订购码 | Ordering Code

| | | | | | | | | |
|---|-----------------------------|--|----------|---------------------------------|---|--|----------|---|
| AKS | R | 50 | X | 50 | Y | CS | - | 2 |
| 系列代号 AKS: 标准品 AKSB: 订制品 Model AKS:Standard Type AKSB:Order Products | 附感应 Attach sensor | 缸径 Cylinder Bore Φ40 Φ50 Φ63 Φ80 | | 行程 Stroke 25-150mm | 配件 Y:Y接头 I: I接头 Accessories Y: Y joint I: I joint | 感应器种类 CS-22 感臭器固定带 Sensors Type CS-22 Sensors with fixed | | 感应器数量 Sensors Amount 1-1个 1PC 2-2个 2PCS |

外形尺寸 | Overall Dimension

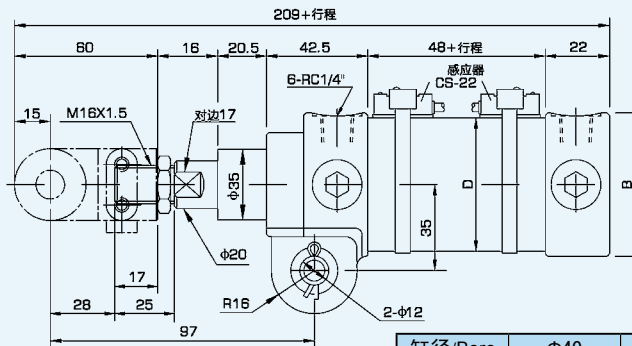
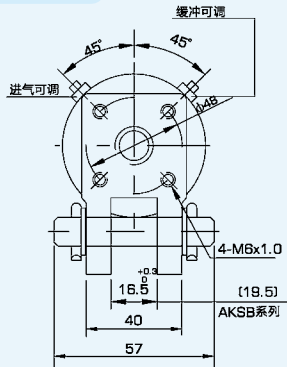


AKS系列夹持气缸

AKS Series Clamping Cylinder

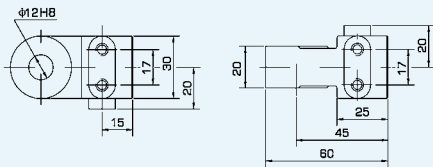
外形尺寸 | Overall Dimension

AKS40,50,63

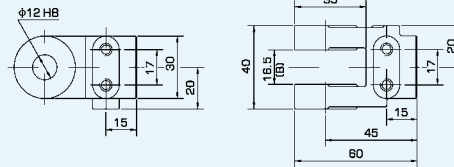


| 缸径/Bore | Φ40 | Φ50 | Φ63 |
|---------|-----|-----|-----|
| B | Φ49 | Φ59 | Φ69 |
| D | Φ45 | Φ55 | Φ68 |

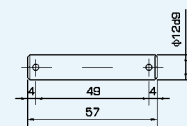
I接头/Joint



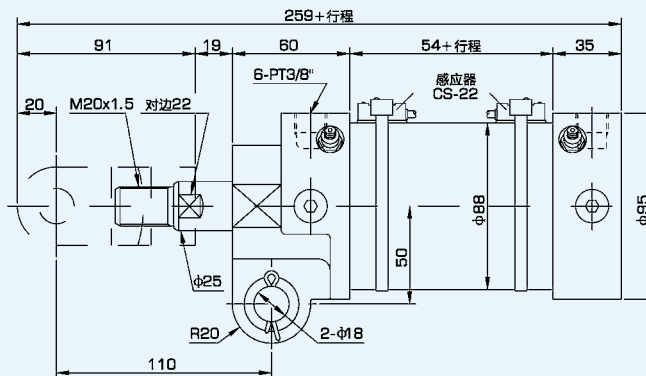
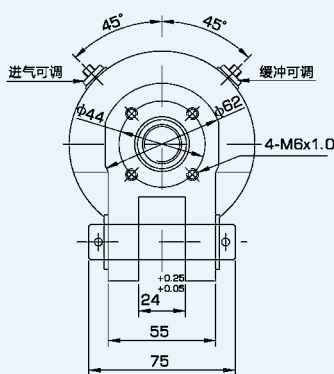
Y接头/Joint



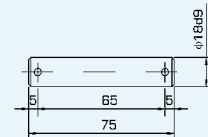
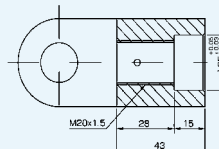
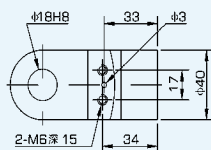
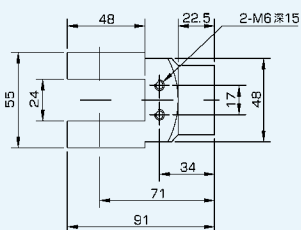
连接销/Joint Pin



AKS80



Y接头/Joint



MK系列新款回转夹紧气缸

MK Series New Rotary Clamping Cylinder

规格 | Specification



| | | | | | | | | |
|--|---------------------|-------|-----|-------|-----|-------|--------|------|
| 内径 Bore (mm) | 12 | 16 | 20 | 25 | 32 | 40 | 50 | 63 |
| 动作形式/Motion Pattern | 双作用 Double Action | | | | | | | |
| 工作介质/Working Medium | 空气 Air | | | | | | | |
| 使用压力范围 Operating Voltage Range | 0.1~1.0 MPa | | | | | | | |
| 工作温度/Working Temperature | -10~70℃ | | | | | | | |
| 活塞速度/Piston Speed | 50~200 mm/s | | | | | | | |
| 缓冲/Buffer | 橡胶缓冲 Rubber bumper | | | | | | | |
| 行程公差/Stroke Tolerance | +0.6 -0.4 | | | | | | | |
| 给油/Lubrication | 不需要/Not Necessary | | | | | | | |
| 回转角度/Rotating Angle | 90° ±10° | | | | | | | |
| 回转方向/Direction of Rotating | 左旋或右旋 Left or Right | | | | | | | |
| 回转行程/Rotating Stroke | 7.5 | 9.5 | 15 | 19 | | | | |
| 夹紧行程/Clamping Stroke | 10, 20 | | | | | | 20, 50 | |
| 允许弯矩/Allow bending moment | 1 | 3.8 | 7 | 13 | 27 | 47 | 107 | 182 |
| 夹紧力/Clamping force | 40 | 75 | 100 | 185 | 300 | 525 | 825 | 1400 |
| 活塞杆不回转精度 Non-rotating rod precision | ±1.4° | ±1.2° | | ±0.9° | | ±0.7° | | |
| 接管口径/Port Size | M5×0.8 | | | | 1/8 | | 1/4 | |

订购码 | Ordering Code

MK - **B** - **20** X **10** - **R** Z - **S**

MK: 安装形式 Clamping Stroke
B: 通孔及两端螺孔 共通

20: 缸径 Bore

10: 夹紧行程 Clamping Stroke
旋转臂

| 缸径 Bore | 型号 Model |
|---------|-----------|
| 12 | MK-A1027Z |
| 16 | MK-A106Z |
| 20 | MK-020Z |
| 25 | MK-020Z |
| 32 | MK-032Z |
| 40 | MK-032Z |
| 50 | MK-050Z |
| 63 | MK-050Z |

安装法兰/法兰型

| 缸径 Bore | 型号 Model |
|---------|-----------|
| 12 | CQS-F012 |
| 16 | CQS-F016 |
| 20 | MKZ-F020 |
| 25 | MKZ-F025 |
| 32 | MK2T-F032 |
| 40 | MK2T-F040 |
| 50 | MK2T-F050 |
| 63 | MK2T-F063 |

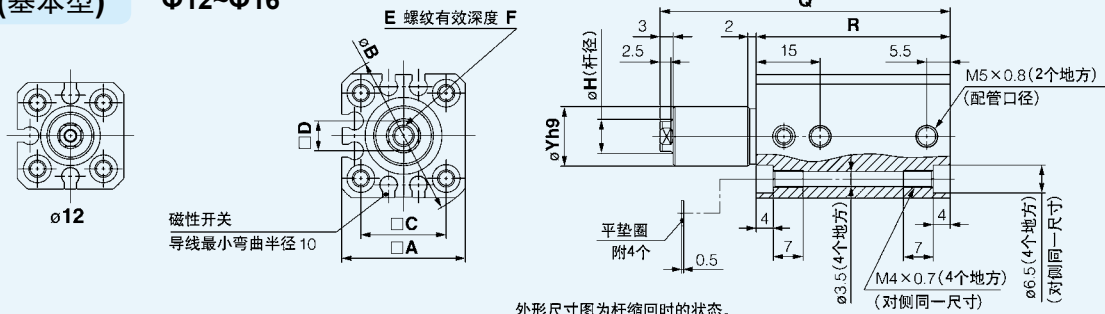
R: 回转方向 Turn Code
R: 顺时针回转
L: 逆时针回转
R: CW
L: CCW

S: 磁石代号 Magnet Code
空白: 不附磁石
S: 附磁石
Blank: Standard Type
S: Magnet Inside

外形尺寸 | Overall Dimension

MKB(基本型)

Φ12~Φ16



| 型号 Model | A | B | C | D | E | F | H | φYh9 |
|----------|----|----|------|---|--------|-----|---|-----------------------------------|
| MKB12-Z | 25 | 32 | 15.5 | 5 | M3X0.5 | 5.5 | 6 | 11 ⁰ _{-0.043} |
| MKB16-Z | 29 | 20 | 20 | 7 | M5X0.8 | 6.5 | 8 | 14 ⁰ _{-0.043} |

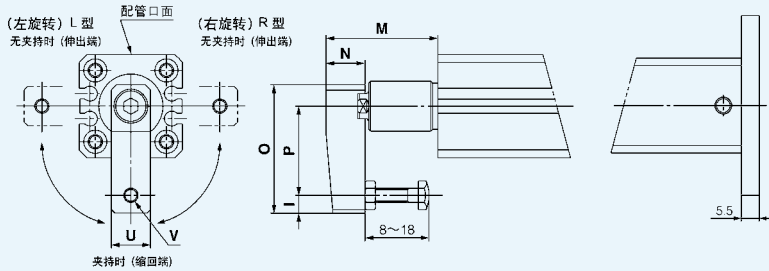
| 型号 Model | 杆状态 | 夹持行程 | | | | | |
|----------|-----|------|------|-------|------|-------|------|
| | | 10mm | | 20mm | | 30mm | |
| | | Q | R | Q | R | Q | R |
| MKB12-Z | 缩回时 | 68 | 45.5 | 88 | 55.5 | 108 | 65.5 |
| | 伸出时 | 85.5 | 45.5 | 115.5 | 55.5 | 145.5 | 65.5 |
| MKB16-Z | 缩回时 | 68 | 45.5 | 88 | 55.5 | 108 | 65.5 |
| | 伸出时 | 85.5 | 45.5 | 115.5 | 55.5 | 145.5 | 65.5 |

MK系列新款回转夹紧气缸

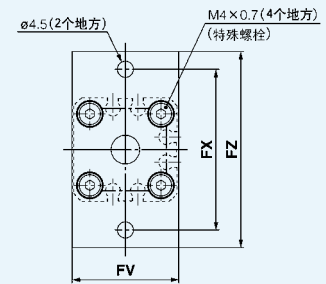
MK Series New Rotary Clamping Cylinder

外形尺寸 | Overall Dimension

MKB(基本型)附旋转臂 $\Phi 12\sim\Phi 16$



MKB(基本型)盖端法兰型

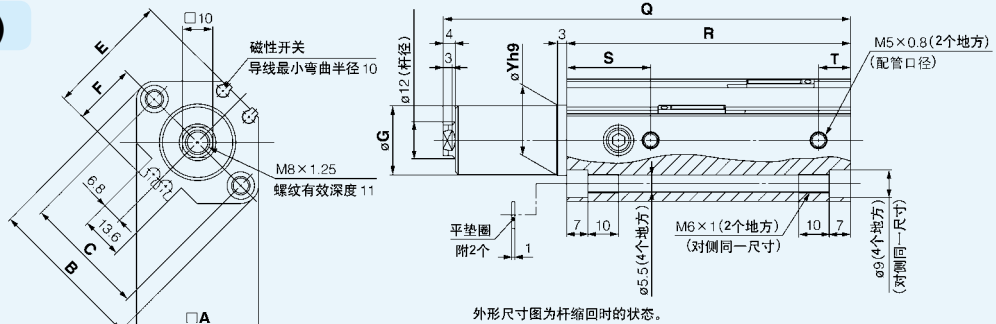


| 型号 Model | L | N | O | P | U | V |
|----------|---|----|----|----|----|--------|
| MKB12-Z | 4 | 8 | 29 | 20 | 8 | M3X0.5 |
| MKB16-Z | 5 | 11 | 36 | 25 | 11 | M4X0.7 |

| 型号 Model | 杆状态 | 夹持行程 | | |
|----------|-----|------|------|------|
| | | 10mm | 20mm | 30mm |
| MKB12-Z | 缩回时 | 28.5 | 38.5 | 48.5 |
| | 伸出时 | 46 | 66 | 86 |
| MKB16-Z | 缩回时 | 31.5 | 41.5 | 51.5 |
| | 伸出时 | 49 | 69 | 89 |

| 缸径 | FV | FX | FZ |
|----|----|----|----|
| 12 | 25 | 45 | 55 |
| 16 | 30 | 45 | 55 |

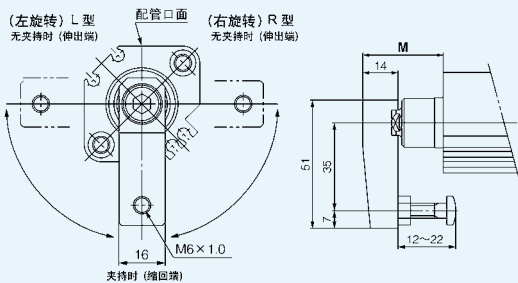
MKB(基本型) $\Phi 20\sim\Phi 25$



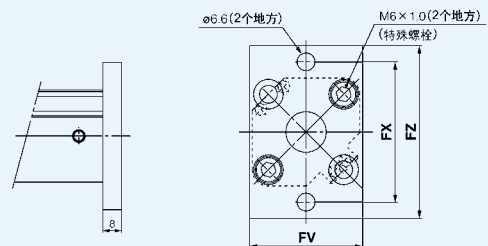
| 型号 Model | A | B | C | E | F | G | øYh9 | S | T |
|----------|----|----|----|------|----|------|----------------------|------|------|
| MKB20-Z | 36 | 47 | 36 | 35.5 | 18 | 17.9 | 18 ^{-0.043} | 28 | 9 |
| MKB25-Z | 40 | 52 | 40 | 40.5 | 21 | 22.5 | 23 ^{-0.052} | 27.5 | 10.5 |

| 型号 Model | 杆状态 | 夹持行程 | | | | | |
|----------|-----|------|----|-------|----|-------|----|
| | | 10mm | | 20mm | | 30mm | |
| | | Q | R | Q | R | Q | R |
| MKB20-Z | 缩回时 | 92.5 | 72 | 112.5 | 82 | 132.5 | 92 |
| | 伸出时 | 112 | | 142 | | 172 | |
| MKB25-Z | 缩回时 | 93.5 | 73 | 113.5 | 83 | 133.5 | 93 |
| | 伸出时 | 113 | | 143 | | 173 | |

MKB(基本型)附旋转臂 $\Phi 20\sim\Phi 25$



MKB(基本型)盖端法兰型



| 型号 Model | 杆状态 | 夹持行程 | | |
|----------|-----|------|------|------|
| | | 10mm | 20mm | 30mm |
| MKB20-Z | 缩回时 | 32 | 42 | 52 |
| | 伸出时 | 51.5 | 71.5 | 91.5 |
| MKB25-Z | 缩回时 | 32 | 42 | 52 |
| | 伸出时 | 51.5 | 71.5 | 91.5 |

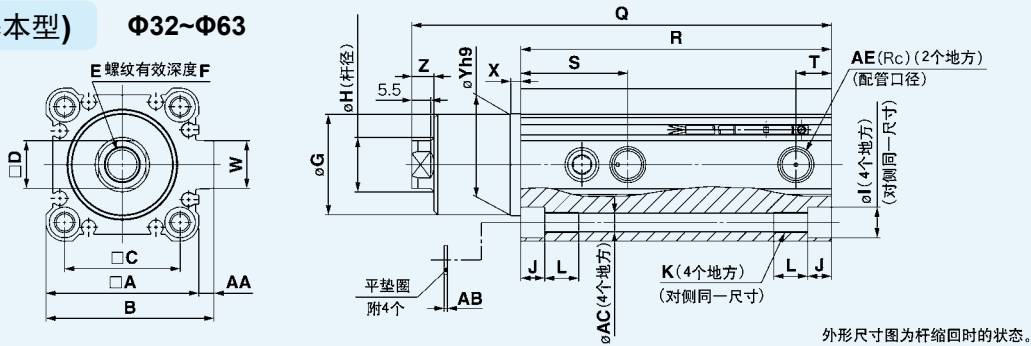
| 缸径 | FV | FX | FZ |
|----|----|----|----|
| 20 | 39 | 48 | 60 |
| 25 | 42 | 52 | 64 |

MK系列新款回转夹紧气缸

MK Series New Rotary Clamping Cylinder

外形尺寸 | Overall Dimension

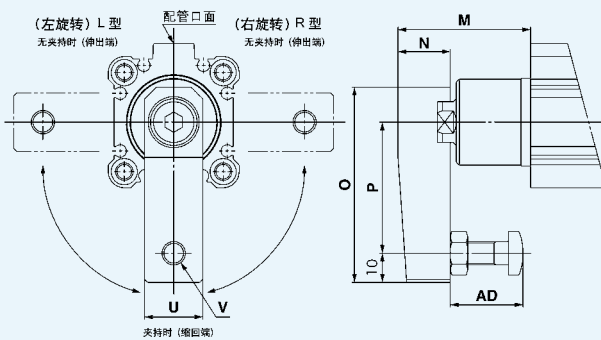
MKB(基本型) $\Phi 32\sim\Phi 63$



| 型号 Model | A | B | C | D | E | F | G | H | I | J | K | L | S | T | W | X | $\phi Yh9$ | Z | AA | AB | ϕAC | AE |
|----------|----|------|----|----|---------|----|------|----|----|------|---------|----|------|------|----|-----|-------------------|-----|-----|-----|-----------|-----|
| MKB32-Z | 45 | 49.5 | 34 | 14 | M10X1.5 | 12 | 29.5 | 16 | 9 | 7 | M6X1.0 | 10 | 31.5 | 10.5 | 14 | 3 | $30^{0}_{-0.062}$ | 6.5 | 4.5 | 1 | 5.5 | 1/8 |
| MKB40-Z | 52 | 57 | 40 | 14 | M10X1.5 | 12 | 29.5 | 16 | 9 | 7 | M6X1.0 | 10 | 29 | 9 | 15 | 3 | $30^{0}_{-0.062}$ | 6.5 | 5 | 1 | 5.5 | 1/8 |
| MKB50-Z | 64 | 71 | 50 | 17 | M12X1.5 | 15 | 36.5 | 20 | 11 | 8 | M8X1.25 | 14 | 34 | 11.5 | 19 | 3.5 | $37^{0}_{-0.062}$ | 7.5 | 7 | 1 | 6.6 | 1/4 |
| MKB63-Z | 77 | 84 | 60 | 17 | M12X1.5 | 15 | 47.5 | 20 | 14 | 10.5 | M8X1.25 | 18 | 34.5 | 10.5 | 19 | 3.5 | $48^{0}_{-0.062}$ | 7.5 | 7 | 1.4 | 9 | 1/4 |

| 型号 Model | 杆状态 | 夹持行程 | | | | | | | |
|----------|-----|-------|------|-------|------|-------|-------|-------|-------|
| | | 10mm | | 20mm | | 30mm | | 50 | |
| | | Q | R | Q | R | Q | R | Q | R |
| MKB32-Z | 缩回时 | 113.5 | 81.5 | 133.5 | 91.5 | 153.5 | 101.5 | 193.5 | 121.5 |
| | 伸出时 | 138.5 | | 168.5 | | 198.8 | | 258.5 | |
| MKB40-Z | 缩回时 | 114.5 | 75 | 134.5 | 85 | 154.5 | 95 | 194.5 | 115 |
| | 伸出时 | 139.5 | | 169.5 | | 199.5 | | 259.5 | |
| MKB50Z | 缩回时 | 132 | 86.5 | 152 | 96.5 | 172 | 106.5 | 212 | 126.5 |
| | 伸出时 | 161 | | 191 | | 221 | | 281 | |
| MKB63-Z | 缩回时 | 135 | 90 | 155 | 100 | 175 | 110 | 215 | 130 |
| | 伸出时 | 164 | | 194 | | 22 | | 284 | |

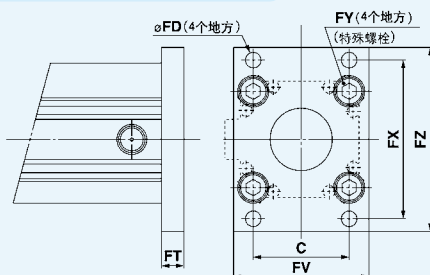
MKB(基本型)附旋转臂 $\Phi 32\sim\Phi 63$



| 型号 Model | N | O | P | U | V | AD |
|----------|----|----|----|----|---------|-------|
| MKB32-Z | 18 | 67 | 45 | 20 | M8X1.25 | 15~25 |
| MKB40-Z | 18 | 67 | 45 | 20 | M8X1.25 | 15~25 |
| MKB50-Z | 22 | 88 | 65 | 22 | M10X1.5 | 30~40 |
| MKB63-Z | 22 | 88 | 65 | 22 | M10X1.5 | 30~40 |

| 型号 Model | 杆状态 | M | | | |
|----------|-----|------|-------|-------|-------|
| | | 10mm | 20mm | 30mm | 50mm |
| MKB32-Z | 缩回时 | 45.5 | 55.5 | 65.5 | 85.5 |
| | 伸出时 | 70.5 | 90.5 | 110.5 | 150.5 |
| MKB40-Z | 缩回时 | 53 | 63 | 73 | 93 |
| | 伸出时 | 78 | 98 | 118 | 158 |
| MKB50-Z | 缩回时 | 63 | 73 | 83 | 103 |
| | 伸出时 | 92 | 112 | 132 | 172 |
| MKB63-Z | 缩回时 | 62.5 | 72.5 | 82.5 | 102.5 |
| | 伸出时 | 91.5 | 111.5 | 131.5 | 171.5 |

MKB(基本型)盖端法兰型



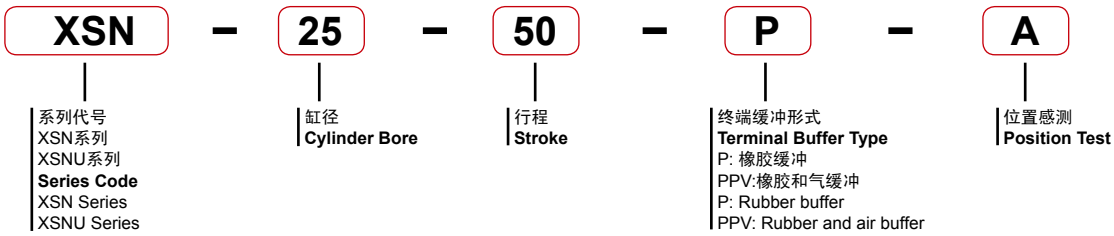
| 缸径 Bore | C | ϕFD | FT | FV | FX | FY | FZ |
|---------|----|-----------|----|----|----|---------|-----|
| 32 | 34 | 5.5 | 8 | 48 | 56 | M6X1.0 | 65 |
| 40 | 40 | 5.5 | 8 | 54 | 62 | M6X1.0 | 72 |
| 50 | 50 | 6.6 | 9 | 67 | 76 | M8X1.25 | 89 |
| 63 | 60 | 9 | 9 | 80 | 92 | M10X1.5 | 108 |

XSN系列ISO6432标准气缸

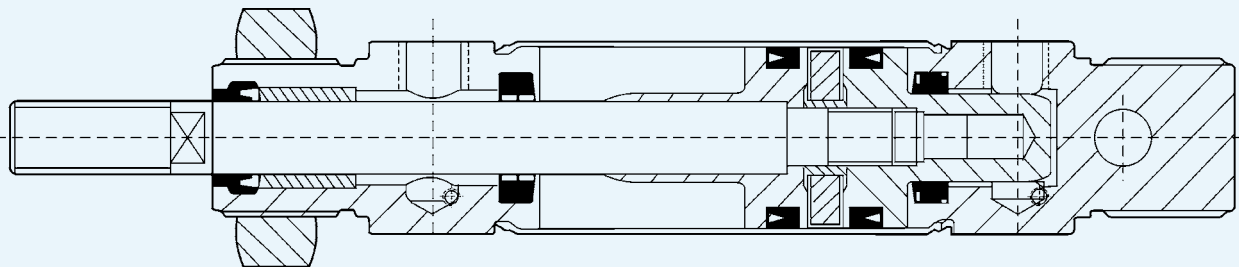
XSN Series ISO6432 Standard Cylinder



订购码 | Ordering Code



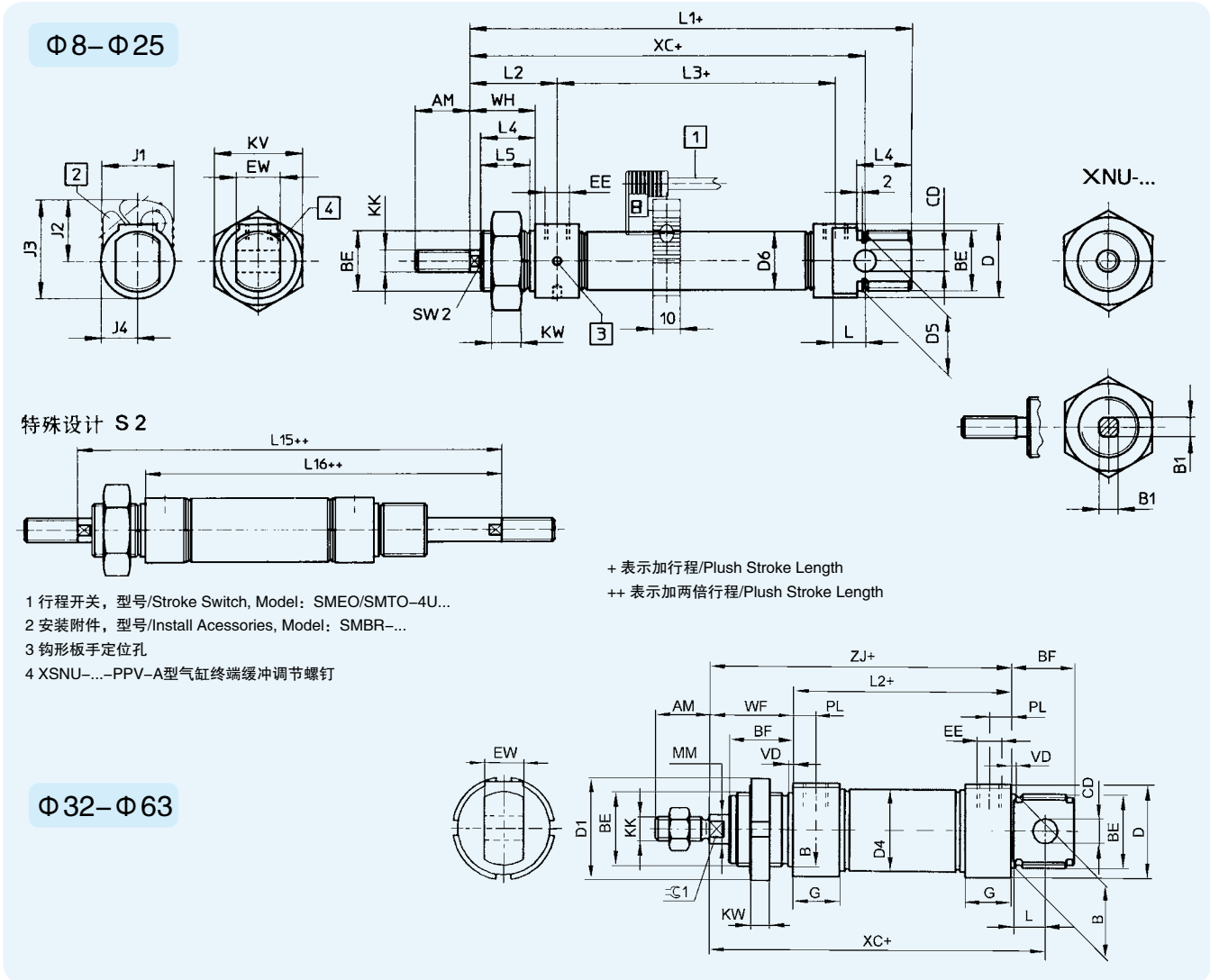
结构图 | Structure Drawing



XSN系列ISO6432标准气缸

XSN Series ISO6432 Standard Cylinder

外形尺寸 | Overall Dimension



尺寸表 | Dimension Sheet

| 缸径/符号 Bore/Symbol | AM | B1 f8 | BE | Φ CD | ΦD h9 | Φ D5 | Φ D6 | EE | EW | J1 | J2 | J3 | J4 | KK | KV | KW | L | L1 | L2 | L3 | L4 | L5 | L15 | L16 | SW2 | WH | XC |
|----------------------|----|----------|----------|---------|----------|---------|---------|------|----|------|------|------|------|----------|----|----|----|-------|----|------|----|----|-------|------|-----|----|-----|
| 8 | 12 | - | M12×1.25 | 4 | 15 | 12 | 9.3 | M5 | 8 | 20.4 | 16.5 | 23.2 | 13.9 | M4 | 19 | 6 | 6 | 78 | 22 | 34 | 12 | 10 | 78 | 62 | - | 16 | 64 |
| 10 | 12 | - | M12×1.25 | 4 | 15 | 12 | 11.3 | M5 | 8 | 22 | 18.2 | 25.9 | 13.8 | M4 | 19 | 6 | 6 | 78 | 22 | 34 | 12 | 10 | 78 | 62 | - | 16 | 64 |
| 12 | 16 | 5.5 | M16×1.5 | 6 | 20 | 16 | 13.3 | M5 | 12 | 22 | 20 | 28.6 | 11 | M6 | 24 | 8 | 9 | 89 | 28 | 38 | 17 | 15 | 94 | 72 | 5 | 22 | 75 |
| 16 | 16 | 5.5 | M16×1.5 | 6 | 20 | 16 | 17.3 | M5 | 12 | 22.5 | 22.5 | 33.2 | 11 | M6 | 24 | 8 | 9 | 95 | 28 | 44 | 17 | 15 | 100 | 78 | 5 | 22 | 82 |
| 20 | 20 | 7 | M22×1.5 | 8 | 27 | 22 | 21.3 | G1/8 | 16 | 26.5 | 22.5 | 35.3 | 13 | M8 | 32 | 11 | 12 | 112 | 32 | 51.6 | 20 | 18 | 116 | 92 | 7 | 24 | 95 |
| 25 | 22 | 9 | M22×1.5 | 8 | 27 | 22 | 26.5 | G1/8 | 16 | 31.5 | 25 | 40.2 | 16 | M10×1.25 | 32 | 11 | 12 | 119.5 | 36 | 53.1 | 22 | 20 | 125.5 | 97.5 | 9 | 28 | 104 |

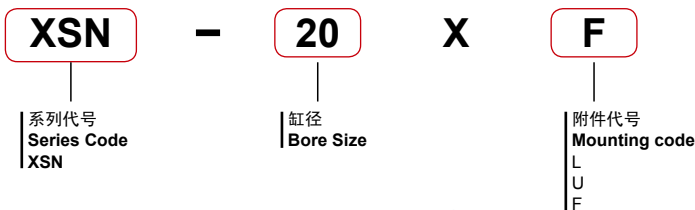
| 缸径 Bore Φmm | AM | BΦ h9 | BE | BF | CDΦ E10 | D Φ | D1 Φ | D4 Φ | EE | EW | G | KK | KW | L | L2 | MM Φ | PL | VD | WF | XC | ZJ | 1 |
|-------------------|----|----------|---------|----|------------|--------|---------|---------|------|------|----|----------|-------|----|------|---------|----|----|----|-------|---------|----|
| 32 | 22 | 30 | M30X1.5 | 26 | 10 | 38 | 42 | 33.6 | G1/8 | 16 | 19 | M10X1.25 | 8 | 13 | 69.5 | 12 | 9 | 2 | 34 | 117.5 | 103.5 | 10 |
| 40 | 24 | 38 | M38X1.5 | 30 | 12 | 46 | 50 | 41.6 | G1/4 | 18 | 25 | M12X1.25 | 10 | 15 | 84.6 | 16 | 12 | 3 | 39 | 139.6 | 123.6 | 13 |
| 50 | 32 | 45 | M45X1.5 | 33 | 16 | 57 | 60 | 52.4 | | | | | | | | | | | 21 | 28 | M16X1.5 | 16 |
| 63 | | | | | | 70 | 65.45 | G3/8 | 28 | 94.2 | 45 | 156.2 | 139.2 | | | | | | | | | |

XSN系列ISO6432标准气缸附件

XSN Series ISO6432 Standard Cylinder Accessory



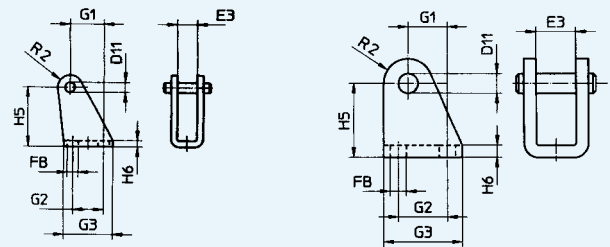
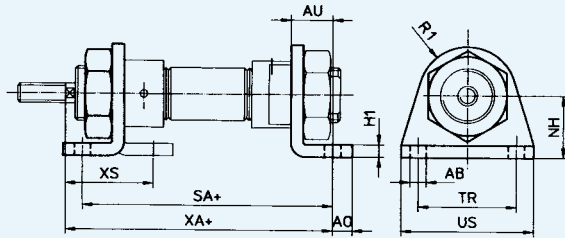
订购码 | Ordering Code



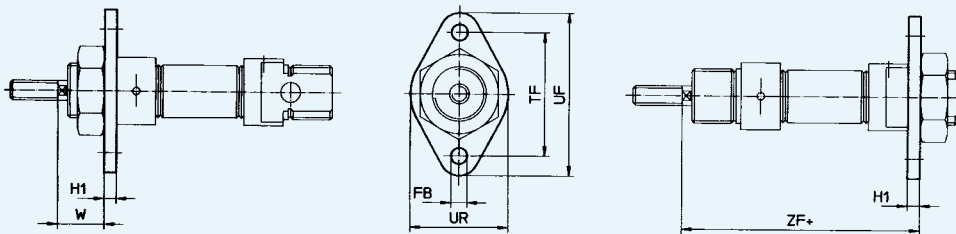
外形尺寸 | Overall Dimension

脚架安装, 型号 HBN-...-1(1个底角)
Foot Rest Install, Model HBN-...-1(1个底角)
HBN-...-2(2个底角,带安装螺母)

双耳环支座, 型号/Double Earring, Model LBN-8/10



法兰安装, 型号 Flang Install, Model FBN-...(1个法兰)



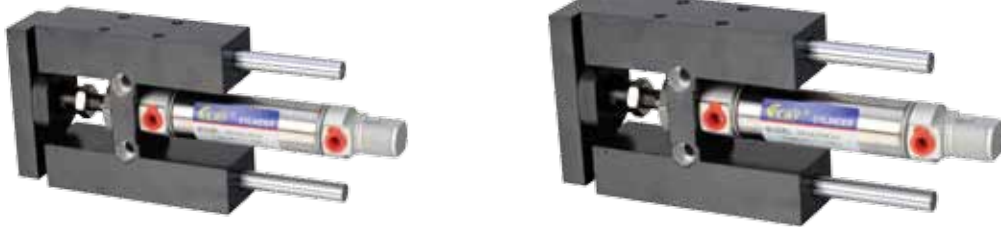
+ 表示加行程/Plush Stroke Length

| 缸径 Φmm | AB Φ | AO | AU | B ₅ | B ₆ | D ₁₁ | D ₁₂ mΦ | E ₃ | FB Φ | G ₁ | G ₂ | G ₃ | H ₁ | H ₅ | H ₆ | H ₇ | H ₈ | L ₁₃ | L ₁₄ | NH | R ₁ | R ₂ | SA | TR | TF | UF | US | UR | W | XA | XS | ZF |
|-----------|---------|----|----|----------------|----------------|-----------------|-----------------------|----------------|---------|----------------|----------------|----------------|----------------|----------------|----------------|----------------|----------------|-----------------|-----------------|----|----------------|----------------|-------|----|----|----|----|----|----|-------|----|-------|
| 8 | 4.5 | 5 | 11 | 6 | 20 | 4 | 4 | 8.1 | 4.5 | 13.8 | 12.5 | 20 | 3 | 24 | 2.5 | 26 | 38 | 13 | 65 | 16 | 10 | 5 | 68 | 25 | 30 | 40 | 35 | 25 | 13 | 73 | 24 | 65 |
| 10 | 4.5 | 5 | 11 | 6 | 20 | 4 | 4 | 8.1 | 4.5 | 13.8 | 12.5 | 20 | 3 | 24 | 2.5 | 26 | 38 | 13 | 65 | 16 | 10 | 5 | 68 | 25 | 30 | 40 | 35 | 25 | 13 | 73 | 24 | 65 |
| 12 | 5.5 | 6 | 14 | 6 | 20 | 6 | 6 | 12.1 | 5.5 | 13 | 15 | 25 | 4 | 27 | 3 | 38 | 58 | 18 | 76 | 20 | 13 | 7 | 78 | 32 | 40 | 53 | 42 | 30 | 18 | 86 | 32 | 76 |
| 16 | 5.5 | 6 | 14 | 6 | 20 | 6 | 6 | 12.1 | 5.5 | 13 | 15 | 25 | 4 | 27 | 3 | 38 | 58 | 18 | 82 | 20 | 13 | 7 | 84 | 32 | 40 | 53 | 42 | 30 | 18 | 92 | 32 | 82 |
| 20 | 6.6 | 8 | 17 | 8 | 30 | 8 | 6 | 16.1 | 6.6 | 16 | 20 | 32 | 5 | 30 | 4 | 46 | 66 | 20 | 96 | 25 | 20 | 10 | 102 | 40 | 50 | 66 | 54 | 40 | 19 | 109 | 36 | 97 |
| 25 | 6.6 | 8 | 17 | 8 | 30 | 8 | 6 | 16.1 | 6.6 | 16 | 20 | 32 | 5 | 30 | 4 | 46 | 66 | 24 | 101.5 | 25 | 20 | 10 | 103.5 | 40 | 50 | 66 | 54 | 40 | 23 | 114.5 | 40 | 102.5 |

SEN/SENG导向装置及导向驱动装置标准气缸

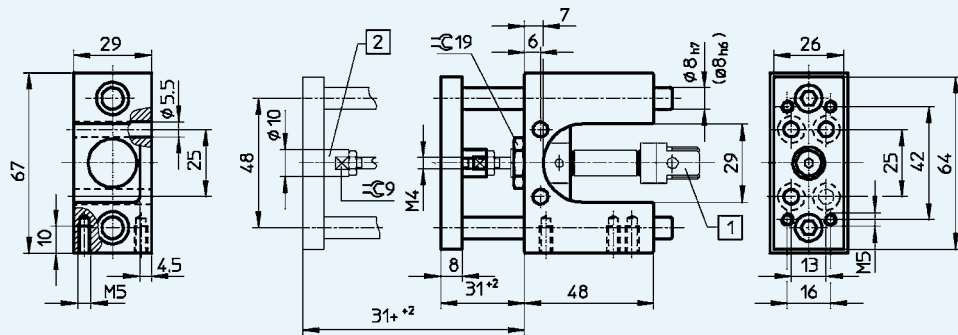
导向装置

Guide Units SEN/SENG for Standard Cylinders



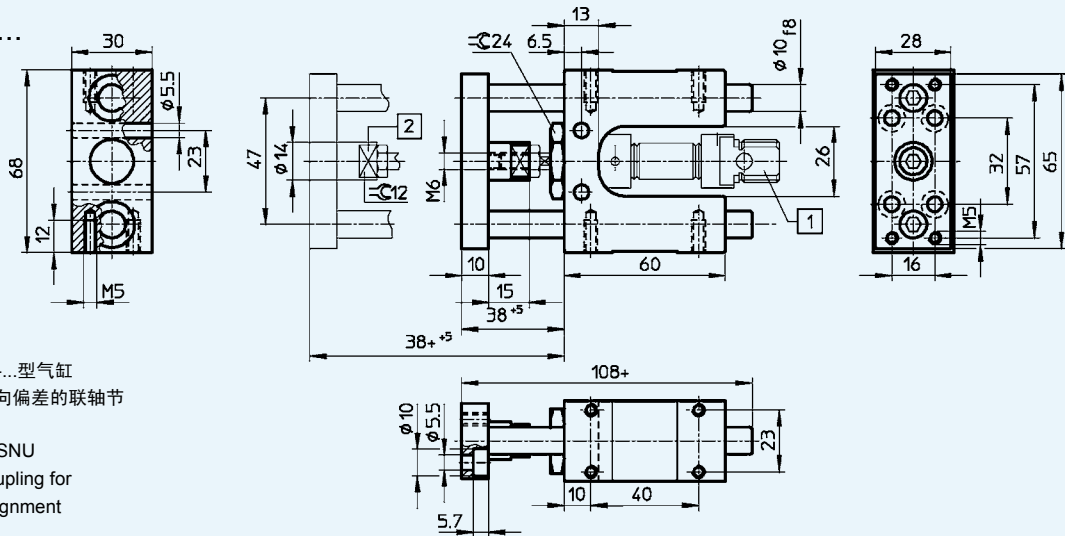
外形尺寸 | Overall Dimension

SEN-8/10-...



- 1. DSN-...型和DSNU-...型气缸
- 2. 用于补偿径向和轴向偏差的联轴节
+表示加行程
- 1. Cylinders DSN, DSNU
- 2. Compensating coupling for radial and axial alignment
+ = plush stroke length

SEN-12/16-...



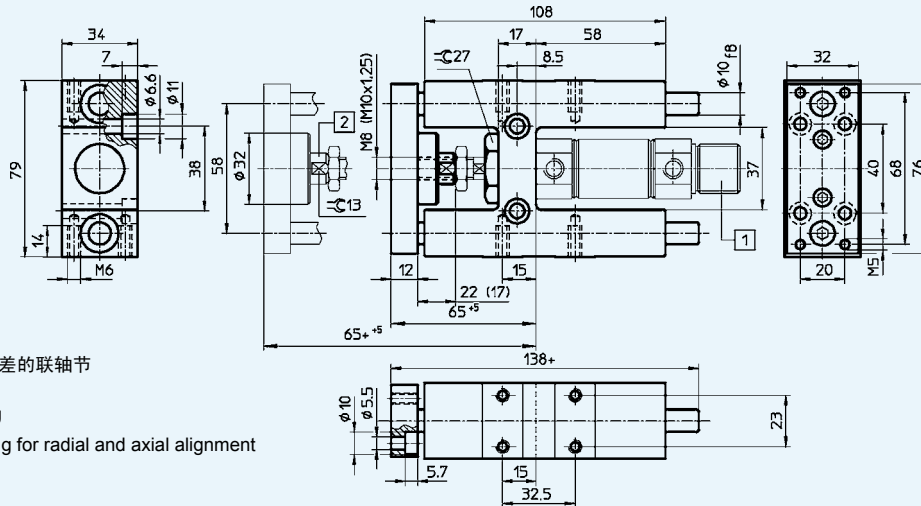
- 1. DSN-...型和DSNU-...型气缸
- 2. 用于补偿径向和轴向偏差的联轴节
+表示加行程
- 1. Cylinders DSN, DSNU
- 2. Compensating coupling for radial and axial alignment
+ = plush stroke length

SEN/SENG导向装置及导向驱动装置标准气缸

导向装置

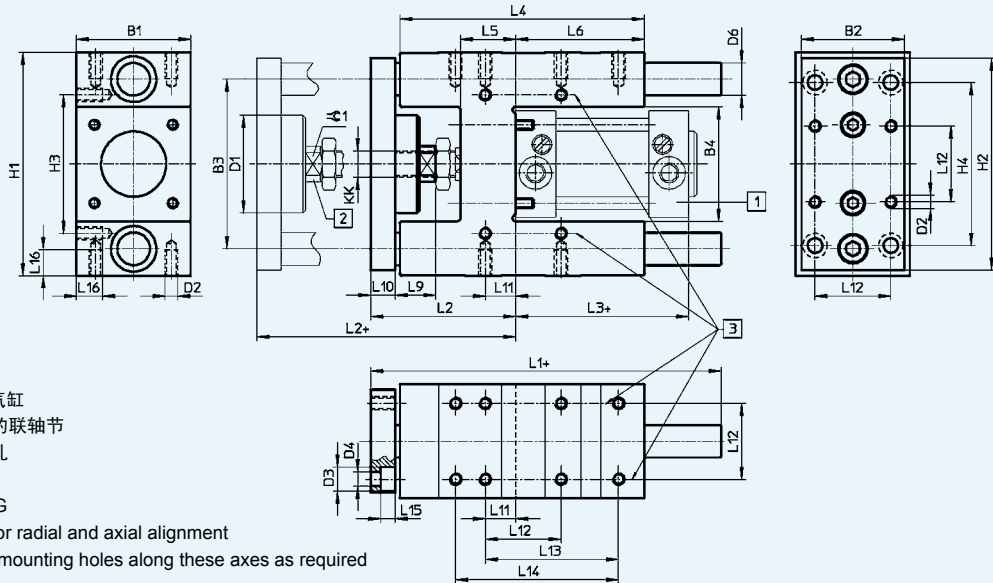
Guide Units SEN/SENG for Standard Cylinders

SEN-20~25



1. DSN型和DSNU型气缸
 2. 用于补偿径向和轴向偏差的联轴节
- +表示加行程
1. Cylinders DSN, DSNU
 2. Compensating coupling for radial and axial alignment
- + = plus stroke length

SEN-32~100



1. XNC型, XNU型和XNG型气缸
 2. 用于补偿径向和轴向偏差的联轴节
 3. 在此轴线上加工辅助安装孔
- +表示加行程
1. Cylinders XNC, XNU, XNG
 2. Compensating coupling for radial and axial alignment
 3. Users can drill additional mounting holes along these axes as required
- + = plus stroke length

| 型号 Model | B ₁ | B ₂ | B ₃ | B ₄ | D ₁ | D ₂ Φ | D ₃ Φ | D ₄ Φ | D ₅ Φ | H ₁ | H ₂ | H ₃ | H | KK | L ₁ | L ₂ | L ₃ | L ₄ | L ₅ | L ₆ |
|-------------|----------------|----------------|----------------|----------------|----------------|---------------------|---------------------|---------------------|---------------------|----------------|----------------|----------------|-----|----------|----------------|--------------------|----------------|----------------|----------------|----------------|
| SEN-32 | 50 | 45 | 74 | 50.5 | 45 | M6 | 11 | 6.6 | 12 | 97 | 90 | 61 | 78 | M10×1.25 | 155 | 67 ⁺⁵ | 94 | 125 | 24 | 76 |
| SEN-40 | 58 | 54 | 87 | 58.5 | 45 | M6 | 11 | 6.6 | 16 | 115 | 110 | 69 | 84 | M12×1.25 | 170 | 74 ⁺⁵ | 105 | 140 | 28 | 81 |
| SEN-50 | 70 | 63 | 104 | 70.5 | 60 | M8 | 15 | 9 | 20 | 137 | 130 | 85 | 100 | M16×1.5 | 188 | 89 ⁺¹⁰ | 106 | 150 | 34 | 79 |
| SEN-63 | 85 | 80 | 119 | 85.5 | 60 | M8 | 15 | 9 | 20 | 152 | 145 | 100 | 105 | M16×1.5 | 220 | 89 ⁺¹⁰ | 115 | 182 | 34 | 111 |
| SEN-80 | 105 | 100 | 148 | 106 | 78 | M10 | 18 | 11 | 25 | 189 | 180 | 130 | 130 | M20×1.5 | 258 | 110 ⁺¹⁰ | 124 | 215 | 40 | 128 |
| SEN-100 | 130 | 120 | 172 | 131 | 78 | M10 | 18 | 11 | 25 | 213 | 200 | 150 | 150 | M20×1.5 | 263 | 115 ⁺¹⁰ | 134 | 220 | 40 | 128 |

| 型号 Model | L ₉ | L ₁₀ | L ₁₁ | L ₁₂ | L ₁₃ | L ₁₄ | L ₁₅ | L ₁₆ | SW ₁ |
|-------------|----------------|-----------------|-----------------|-----------------|-----------------|-----------------|-----------------|-----------------|-----------------|
| SEN-32 | 20 | 12 | 4.3 | 32.5 | 70.3 | 78 | 6.5 | 12 | 15 |
| SEN-40 | 22 | 12 | 11 | 38 | 84 | - | 6.5 | 14 | 15 |
| SEN-50 | 25 | 15 | 18.8 | 46.5 | 81.8 | 100 | 9 | 16 | 19 |
| SEN-63 | 25 | 15 | 15.3 | 56.5 | 105 | - | 9 | 16 | 19 |
| SEN-80 | 32 | 20 | 21 | 72 | - | - | 11 | 20 | 27 |
| SEN-100 | 32 | 20 | 24.5 | 89 | - | - | 11 | 20 | 27 |

*导向装置, XENG-: 公差配合f8
XENG-...-KF: 公差配合h6
1) XENG-... : Tolerance class f8
XENG-...-KF: Tolerance class h6

MA 不锈钢迷你缸

MA Stainless Steel Mini Cylinder



A

订购码 | Ordering Code

| | | | | | | | | | | | |
|---|---|---|----------------------------|---|---------------------|---|---------------------------------------|---|--|---|---|
| MA | - | CA | 32 | X | 50 | - | 25 | - | S | - | LB |
| 系列代号 MA: 复动型 MSA: 单动型 MAD: 双轴复动型 MAJ: 双轴可调型 Series Code MA: Double Action MSA: Single Action MAD: Double-shaft Double Action MAJ: Double-shaft and adjustable stroke type | | 后盖型式 CA: 摆尾型 CM: 圆尾型 U: 平尾型 Back Cover Type CA: Fishtail type CM: Rounded type U: Horizontal type | 缸径 Cylinder Bore | | 行程 Stroke | | MAJ可调行程 MAJ adjustable stroke type | | 磁石代号 空白: 不附磁 S: 附磁石 Magnet Code Blank: Without Magnet S: With Magnet | | 固定型式 空白: 基本型 LB: 前后固定型 FA: 前盖固定型 SDB: 后盖摇摆式 Fixed Type Blank: Basic type LB: Axial foot FA: Front flange SDB: Back cover swing-ing type |

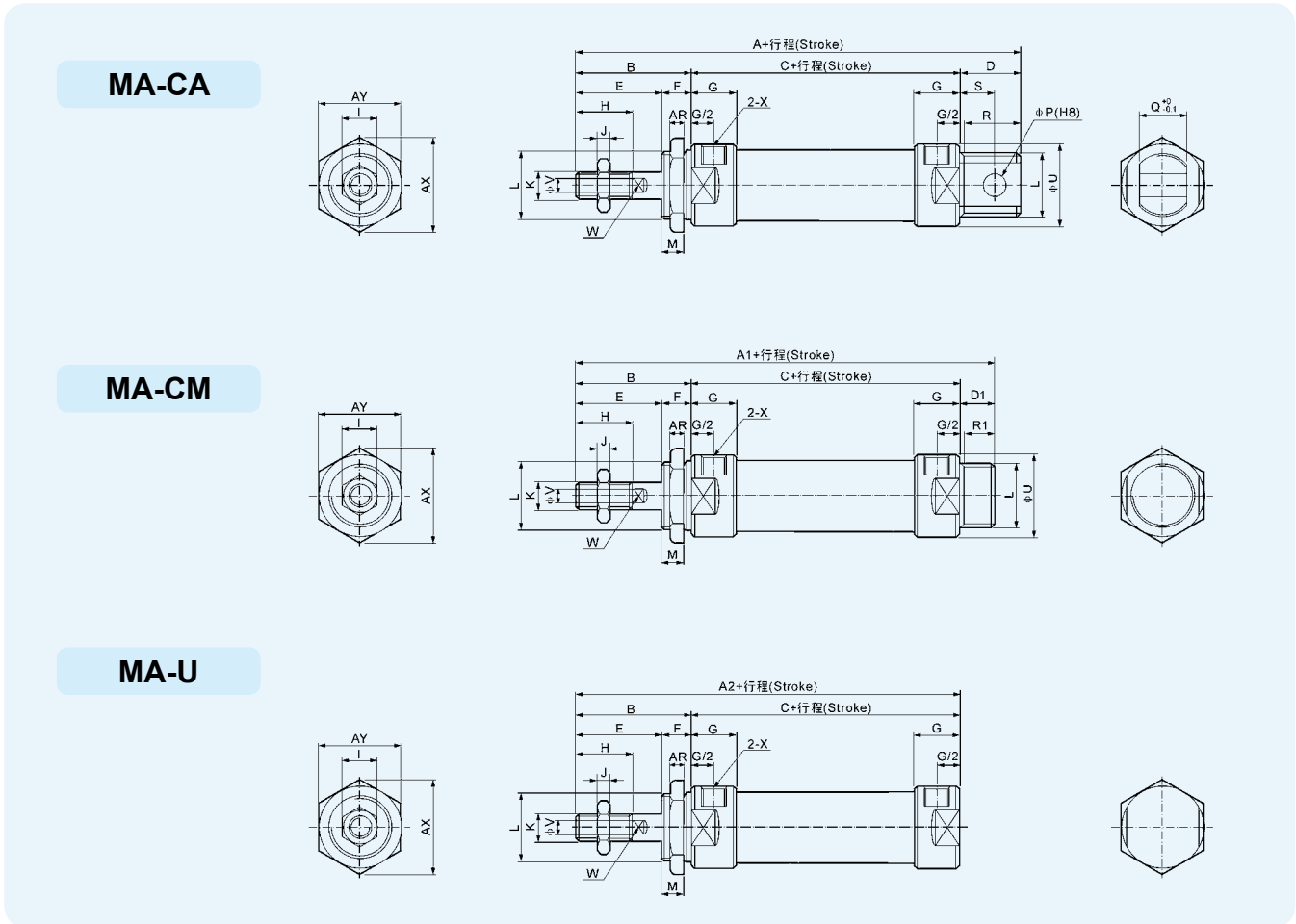
规格 | Specification

| 内径 Bore (mm) | 16 | 20 | 25 | 32 | 40 |
|---------------------------------------|--|-------|----|----|----|
| 动作型式 Motion Pattern | 复动型或单动型 Double Action or Single Action | | | | |
| 工作介质 Working Medium | 空气 Air | | | | |
| 固定型式 Fixed Type | 基本型 Basic type FA型 type LB型 type SDB型 type | | | | |
| 使用压力范围 Operating Voltage Range | 1.0~9.0 Kg/cm ² | | | | |
| 保证耐压力 Ensured Pressure Resistance | 13.5 Kg/cm ² | | | | |
| 使用温度范围 Operating Temperature Range | 0~70℃ | | | | |
| 使用速度范围 Operating Speed Range | 50~800 mm/s | | | | |
| 缓冲型式 Buffer Type | 缓冲垫片 Buffer Spacer | | | | |
| 接管口径 Port Size | M5×0.8 | G1/8" | | | |

MA 不锈钢迷你缸

MA Stainless Steel Mini Cylinder

外形尺寸 | Overall Dimension



尺寸表 | Dimension Sheet

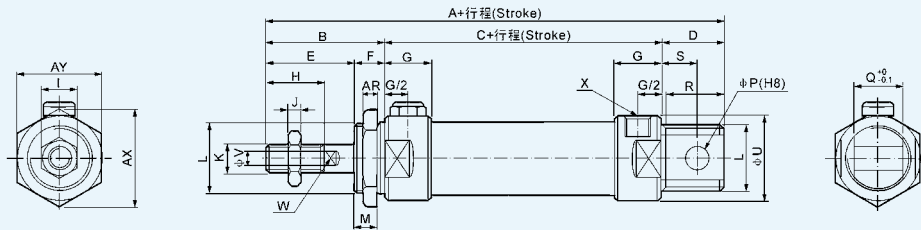
| 内径 / 符号 Bore / Symbol | A | A1 | A2 | B | C | D | D1 | E | F | G | H | I | J | K |
|--------------------------|---------|-----|-----|----|----|----|----|------|----|------|-------|----|----|----------|
| 16 | 114 | 114 | 98 | 38 | 60 | 15 | 15 | 22 | 16 | 10 | 16 | 10 | 5 | M6×1 |
| 20 | 137 | 128 | 116 | 40 | 76 | 21 | 12 | 28 | 12 | 16 | 20 | 12 | 6 | M8×1.25 |
| 25 | 141 | 134 | 120 | 44 | 76 | 21 | 14 | 30 | 14 | 16 | 22 | 17 | 6 | M10×1.25 |
| 32 | 147 | 134 | 120 | 44 | 76 | 27 | 14 | 30 | 14 | 16 | 22 | 17 | 6 | M10×1.25 |
| 40 | 149 | 136 | 122 | 46 | 76 | 27 | 14 | 32 | 14 | 16.7 | 24 | 17 | 7 | M12×1.25 |
| 内径 / 符号 Bore / Symbol | L | M | P | Q | R | R1 | S | U | V | W | X | AR | AX | AY |
| 16 | M16×1.5 | 14 | 6 | 12 | 14 | 14 | 9 | 21 | 6 | 5 | M5 | 6 | 24 | 22 |
| 20 | M22×1.5 | 10 | 8 | 16 | 19 | 12 | 12 | 27 | 8 | 6 | G1/8" | 7 | 33 | 29 |
| 25 | M22×1.5 | 12 | 8 | 16 | 19 | 14 | 12 | 30 | 10 | 8 | G1/8" | 7 | 33 | 29 |
| 32 | M24×2.0 | 12 | 10 | 16 | 25 | 14 | 15 | 35 | 12 | 10 | G1/8" | 8 | 37 | 32 |
| 40 | M30×2.0 | 12 | 12 | 20 | 25 | 14 | 15 | 41.6 | 16 | 14 | G1/8" | 9 | 47 | 41 |

MA 不锈钢迷你缸

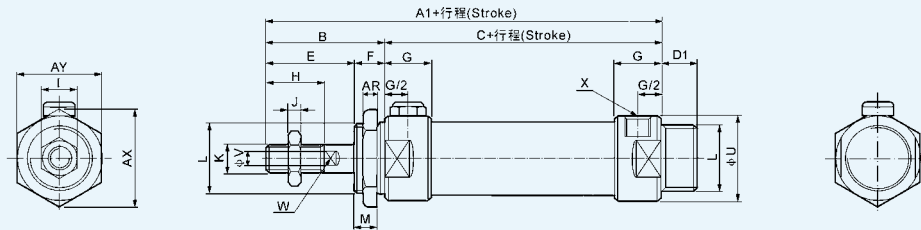
MA Stainless Steel Mini Cylinder

外形尺寸 | Overall Dimension

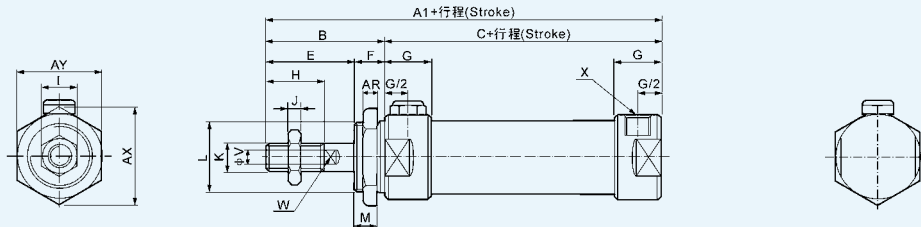
MSA-CA



MSA-CM



MSA-U



尺寸表 | Dimension Sheet

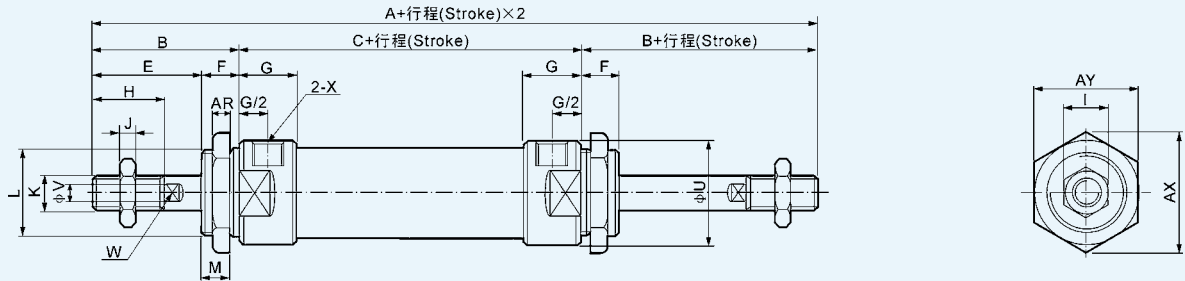
| 符号 Symbol | A | | | A1 | | | B | C | | | D | D1 | E | F | G | H | I | J | |
|--------------------------|----------|--------|------|---------|--------|------|----|------|--------|------|----|------|----|----|-------|----|----|----|--|
| | 0~50 | 51~100 | ≥101 | 0~50 | 51~100 | ≥101 | | 0~50 | 51~100 | ≥101 | | | | | | | | | |
| 内径/行程 Bore / Stroke | | | | | | | | | | | | | | | | | | | |
| 20 | 162 | 187 | 212 | 141 | 166 | 191 | 40 | 101 | 126 | 151 | 21 | 12 | 28 | 12 | 16 | 20 | 12 | 6 | |
| 25 | 166 | 191 | 216 | 145 | 170 | 195 | 44 | 101 | 126 | 151 | 21 | 14 | 30 | 14 | 16 | 22 | 17 | 6 | |
| 32 | 172 | 197 | 222 | 145 | 170 | 195 | 44 | 101 | 126 | 151 | 27 | 14 | 30 | 14 | 16 | 22 | 17 | 6 | |
| 40 | 174 | 199 | 224 | 147 | 172 | 197 | 46 | 101 | 126 | 151 | 27 | 14 | 32 | 14 | 16.7 | 24 | 17 | 7 | |
| 内径 / 符号 Bore / Symbol | K | | | L | | | M | P | Q | R | S | U | V | W | X | AR | AX | AY | |
| 20 | M8×1.25 | | | M22×1.5 | | | 10 | 8 | 16 | 19 | 12 | 27 | 8 | 6 | G1/8" | 7 | 33 | 29 | |
| 25 | M10×1.25 | | | M22×1.5 | | | 12 | 8 | 16 | 19 | 12 | 30 | 10 | 8 | G1/8" | 7 | 33 | 29 | |
| 32 | M10×1.25 | | | M24×2.0 | | | 12 | 10 | 16 | 25 | 15 | 35 | 12 | 10 | G1/8" | 8 | 37 | 32 | |
| 40 | M12×1.25 | | | M30×2.0 | | | 12 | 12 | 20 | 25 | 15 | 41.6 | 16 | 14 | G1/8" | 9 | 47 | 41 | |

MA不锈钢迷你缸

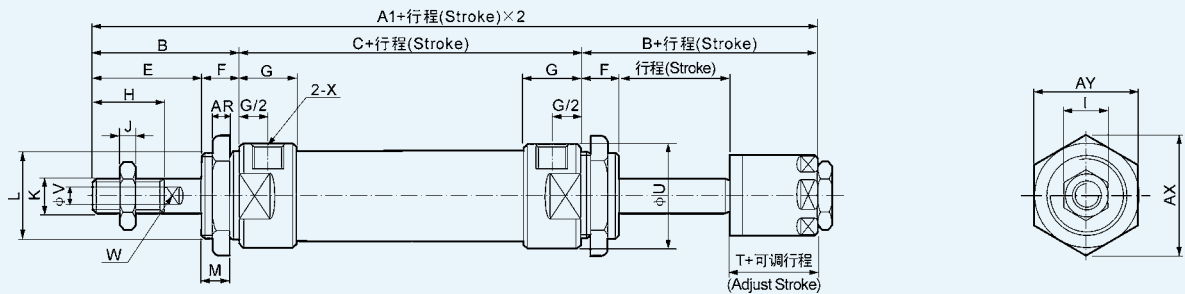
MA Stainless Steel Mini Cylinder

外形尺寸 | Overall Dimension

MAD



MAJ



尺寸表 | Dimension Sheet

| 内径 / 符号 Bore / Symbol | A | A1 | B | C | E | F | G | H | I | J | K |
|--------------------------|---------|-----|------|----|----|-------|----|----|----|----|----------|
| 20 | 156 | 153 | 40 | 76 | 28 | 12 | 16 | 20 | 14 | 6 | M8X1.25 |
| 25 | 164 | 161 | 44 | 76 | 30 | 14 | 16 | 22 | 17 | 6 | M10X1.25 |
| 32 | 164 | 161 | 44 | 76 | 30 | 14 | 16 | 22 | 17 | 6 | M10X1.25 |
| 40 | 168 | 164 | 46 | 76 | 32 | 14 | 22 | 24 | 17 | 7 | M12X1.25 |
| 内径 / 符号 Bore / Symbol | L | M | N | U | W | X | AR | AX | AY | T | |
| 20 | M22X1.5 | 10 | 29 | 8 | 6 | G1/8" | 7 | 33 | 29 | 21 | |
| 25 | M22X1.5 | 12 | 34 | 10 | 8 | G1/8" | 7 | 33 | 29 | 21 | |
| 32 | M24X1.5 | 12 | 39.5 | 12 | 10 | G1/8" | 8 | 37 | 32 | 21 | |
| 40 | M30X2.0 | 12 | 49.5 | 16 | 14 | G1/4" | 9 | 47 | 41 | 21 | |

MAL 铝合金迷你缸

MAL Aluminum Alloy Mini Cylinder



订购码 | Ordering Code

| | | | | | | | | | | | | |
|---|---|---|---|----------------------------|---|---------------------|---|---|---|--|---|--|
| MAL | - | CA | - | 32 | X | 50 | - | 25 | - | S | - | LB |
| 系列代号 MAL: 复动型 MSAL: 单动型 MALD: 双轴复动型 MALJ: 双轴可调型 Series Code MAL: Double Action MSAL: Single Action MALD: Double-shaft Double Action MALJ: Double-shaft and adjustable stroke type | | 后盖型式 CA: 摆尾型 CM: 圆尾型 U: 平尾型 Back Cover Type CA: Fishtail type CM: Rounded type U: Horizontal type | | 缸径 Cylinder Bore | | 行程 Stroke | | MALJ可调行程 MALJ adjustable stroke type | | 磁石代号 空白: 不附磁 S: 附磁石 Magnet Code Blank: Without Magnet S: With Magnet | | 固定型式 空白: 基本型 LB: 前后固定型 FA: 前盖固定型 SDB: 后盖摇摆式 Fixed Type Blank: basic type LB: axial foot FA: front flange SDB: back cover swinging type |

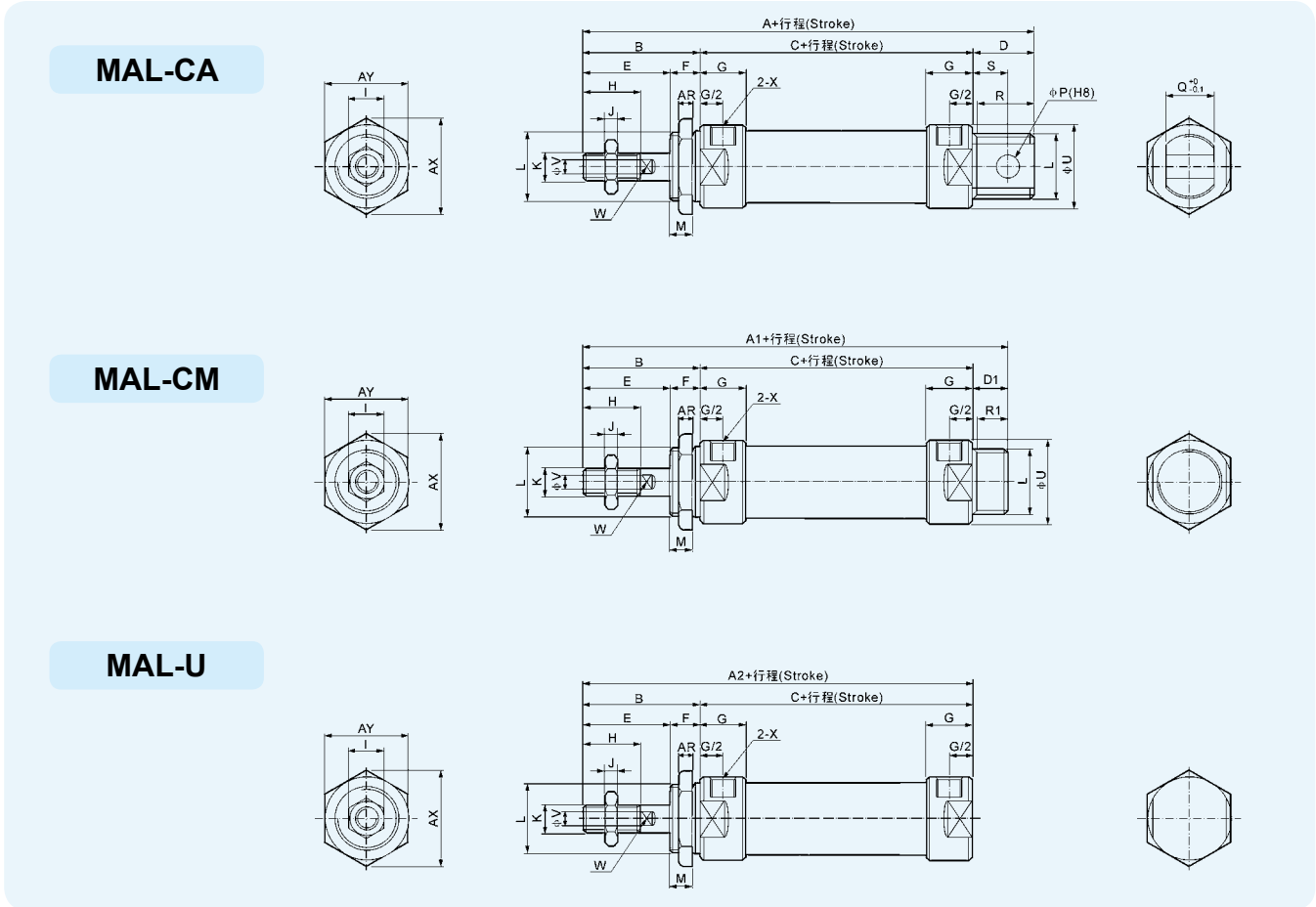
规格 | Specification

| 内 径 Bore (mm) | 16 | 20 | 25 | 32 | 40 |
|---------------------------------------|--|-------|----|----|-------|
| 动作型式 Motion Pattern | 复动型或单动型 Double Action or Single Action | | | | |
| 工作介质 Working Medium | 空气 Air | | | | |
| 固定型式 Fixed Type | 基本型 Basic type FA型 type LB型 type SDB型 type | | | | |
| 使用压力范围 Operating Voltage Range | 1.0~9.0 Kg/cm ² | | | | |
| 保证耐压力 Ensured Pressure Resistance | 13.5 Kg/cm ² | | | | |
| 使用温度范围 Operating Temperature Range | 0~70℃ | | | | |
| 使用速度范围 Operating Speed Range | 50~800 mm/s | | | | |
| 缓冲型式 Buffer Type | 缓冲垫片 Buffer Spacer | | | | |
| 接管口径 Port Size | M5×0.8 | G1/8" | | | G1/4" |

MAL 铝合金迷你缸

MAL Aluminum Alloy Mini Cylinder

外形尺寸 | Overall Dimension



尺寸表 | Dimension Sheet

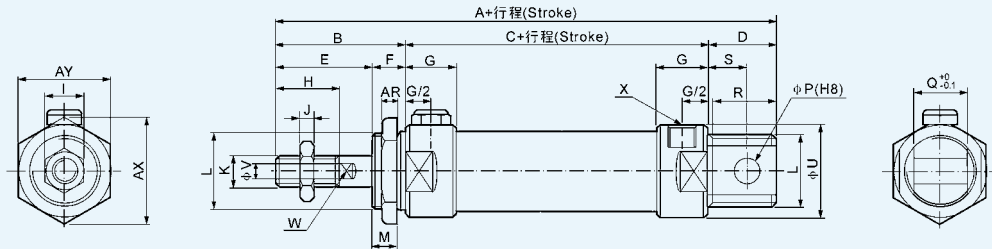
| 内径 / 符号 Bore / Symbol | A | A1 | A2 | B | C | D | D1 | E | F | G | H | I | J | K | |
|--------------------------|---------|-----|-----|----|----|----|----|----|------|----|----|-------|----|----------|------|
| 16 | 104 | 104 | 90 | 38 | 52 | 15 | 15 | 24 | 14 | 11 | 16 | 10 | 5 | M6×1 | |
| 20 | 131 | 122 | 110 | 40 | 70 | 21 | 12 | 28 | 12 | 16 | 20 | 12 | 6 | M8×1.25 | |
| 25 | 135 | 128 | 114 | 44 | 70 | 21 | 14 | 30 | 14 | 16 | 22 | 17 | 6 | M10×1.25 | |
| 32 | 141 | 128 | 114 | 44 | 70 | 27 | 14 | 30 | 14 | 16 | 22 | 17 | 6 | M10×1.25 | |
| 40 | 165 | 152 | 138 | 46 | 92 | 27 | 14 | 32 | 14 | 22 | 24 | 17 | 7 | M12×1.25 | |
| 内径 / 符号 Bore / Symbol | L | | M | P | Q | R | R1 | S | U | V | W | X | AR | AX | AY |
| 16 | M16×1.5 | | 8 | 6 | 12 | 13 | 13 | 6 | 20 | 6 | / | M5 | 7 | 24 | 27.5 |
| 20 | M22×1.5 | | 10 | 8 | 16 | 19 | 12 | 12 | 29 | 8 | 6 | G1/8" | 7 | 33 | 29 |
| 25 | M22×1.5 | | 12 | 8 | 16 | 19 | 14 | 12 | 34 | 10 | 8 | G1/8" | 7 | 33 | 29 |
| 32 | M24×2.0 | | 12 | 10 | 16 | 25 | 14 | 15 | 39.5 | 12 | 10 | G1/8" | 8 | 37 | 32 |
| 40 | M30×2.0 | | 12 | 12 | 20 | 25 | 14 | 15 | 49.5 | 16 | 14 | G1/4" | 9 | 47 | 41 |

MAL 铝合金迷你缸

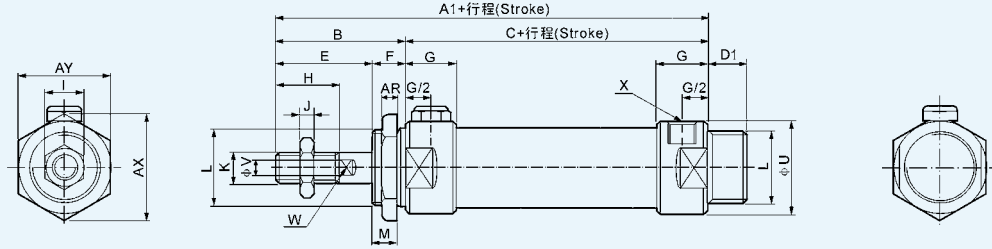
MAL Aluminum Alloy Mini Cylinder

外形尺寸 | Overall Dimension

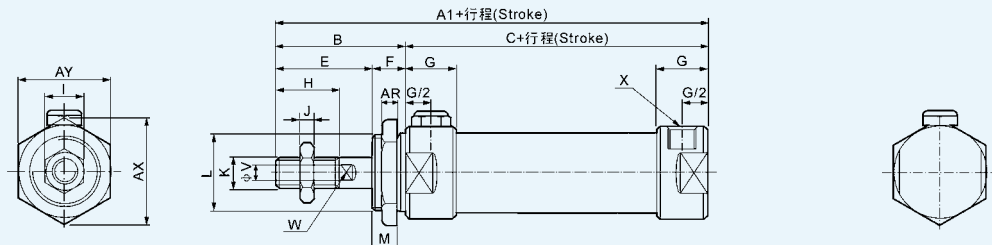
MSAL-CA



MSAL-CM



MSAL-U



尺寸表 | Dimension Sheet

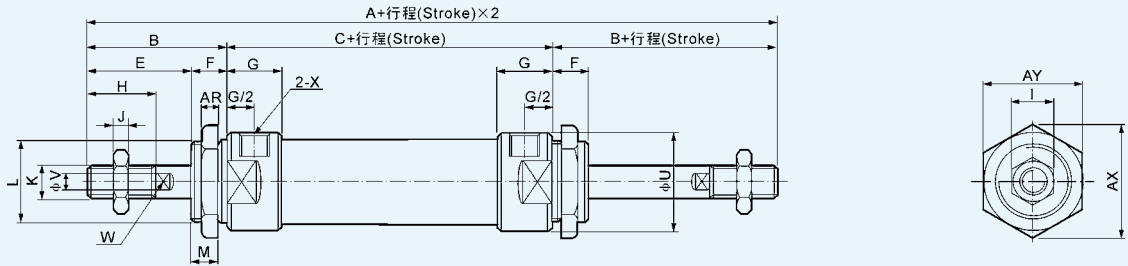
| 符号 Symbol | A | | | A1 | | | A2 | | | B | C | | | D | D1 | E | F | G | H | I |
|--------------------------|------|----------|------|---------|--------|------|------|--------|------|----|------|--------|------|----|----|-------|----|----|----|----|
| | 0-50 | 51-100 | ≥101 | 0-50 | 51-100 | ≥101 | 0-50 | 51-100 | ≥101 | | 0-50 | 51-100 | ≥101 | | | | | | | |
| 内径/行程 Bore / Stroke | 0-50 | 51-100 | ≥101 | 0-50 | 51-100 | ≥101 | 0-50 | 51-100 | ≥101 | B | 0-50 | 51-100 | ≥101 | D | D1 | E | F | G | H | I |
| 20 | 156 | 181 | 206 | 147 | 172 | 197 | 135 | 160 | 185 | 40 | 95 | 120 | 145 | 21 | 12 | 28 | 12 | 16 | 20 | 12 |
| 25 | 160 | 185 | 210 | 153 | 178 | 203 | 139 | 164 | 189 | 44 | 95 | 120 | 145 | 21 | 14 | 30 | 14 | 16 | 22 | 17 |
| 32 | 166 | 191 | 216 | 153 | 178 | 203 | 139 | 164 | 189 | 44 | 95 | 120 | 145 | 27 | 14 | 30 | 14 | 16 | 22 | 17 |
| 40 | 190 | 215 | 240 | 177 | 202 | 227 | 163 | 188 | 213 | 46 | 117 | 142 | 167 | 27 | 14 | 32 | 14 | 22 | 24 | 17 |
| 内径 / 符号 Bore / Symbol | J | K | | L | | | M | P | Q | R | R1 | S | U | V | W | X | AR | AX | AY | |
| 20 | 6 | M8×1.25 | | M22×1.5 | | | 10 | 8 | 16 | 19 | 10 | 12 | 29 | 8 | 6 | G1/8" | 7 | 33 | 29 | |
| 25 | 6 | M10×1.25 | | M22×1.5 | | | 12 | 8 | 16 | 19 | 12 | 12 | 34 | 10 | 8 | G1/8" | 7 | 33 | 29 | |
| 32 | 6 | M10×1.25 | | M24×2.0 | | | 12 | 10 | 16 | 25 | 12 | 15 | 39.5 | 12 | 10 | G1/8" | 8 | 37 | 32 | |
| 40 | 7 | M12×1.25 | | M30×2.0 | | | 12 | 12 | 20 | 25 | 12 | 15 | 49.5 | 16 | 14 | G1/4" | 9 | 47 | 41 | |

MAL 铝合金迷你缸

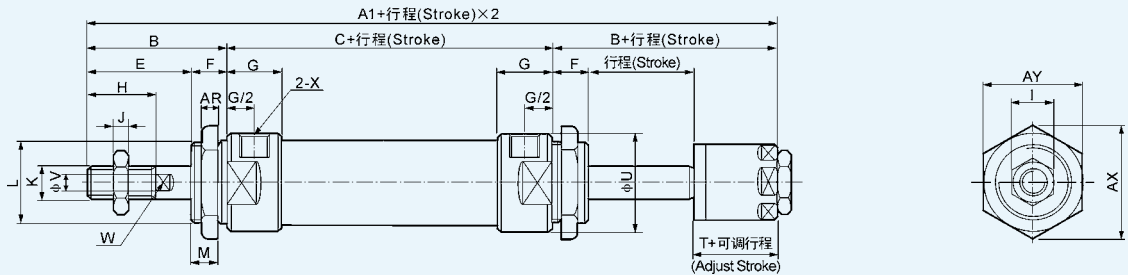
MAL Aluminum Alloy Mini Cylinder

外形尺寸 | Overall Dimension

MALD



MALJ



尺寸表 | Dimension Sheet

| 内径 / 符号 Bore / Symbol | A | A1 | B | C | E | F | G | H | I | J | K |
|--------------------------|---------|-----|----|------|----|----|-------|----|----|----|----------|
| 20 | 150 | 147 | 40 | 70 | 28 | 12 | 16 | 20 | 12 | 6 | M8X1.25 |
| 25 | 158 | 155 | 44 | 70 | 30 | 14 | 16 | 22 | 17 | 6 | M10X1.25 |
| 32 | 158 | 155 | 44 | 70 | 30 | 14 | 16 | 22 | 17 | 6 | M10X1.25 |
| 40 | 184 | 180 | 46 | 92 | 32 | 14 | 22 | 24 | 17 | 7 | M12X1.25 |
| 内径 / 符号 Bore / Symbol | L | | M | U | V | W | X | AR | AX | AY | T |
| 20 | M22X1.5 | | 10 | 29 | 8 | 6 | G1/8" | 7 | 33 | 29 | 21 |
| 25 | M22X1.5 | | 12 | 34 | 10 | 8 | G1/8" | 7 | 33 | 29 | 21 |
| 32 | M24X1.5 | | 12 | 39.5 | 12 | 10 | G1/8" | 8 | 37 | 32 | 21 |
| 40 | M30X2.0 | | 12 | 49.5 | 16 | 14 | G1/4" | 9 | 47 | 41 | 21 |

CM2系列标准气缸(Ø20~Ø40)

CM2 Series Standard Cylinder (Ø20~Ø40)



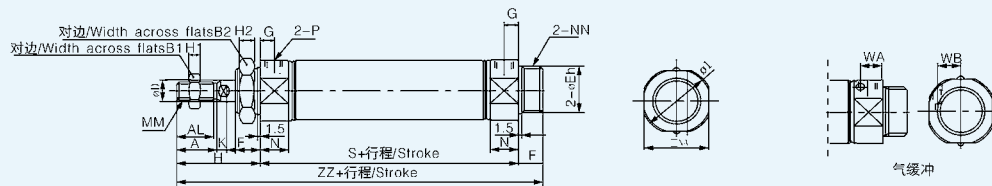
A

订购码 | Ordering Code

| | | | | | | | | | | | | | | |
|--|----------|--|----------|--|----------|--|----------|---------------------|----------|---|----------|--|----------|---|
| CDM2 | - | L | - | 40 | X | F | - | 150 | - | A | - | J | - | □ |
| 内置磁环 无记号: 无内置磁环 D: 内置磁环 Built-in magnet Black: Without auto switch D: With auto switch | | 安装形式 B: 基本型Basic style L: 轴向脚座型Axial foot style F: 杆侧法兰型Rod side flange style G: 无杆侧法兰型Head side flange style C: 单耳环型Single clevis style D: 双耳环型Double clevis style U: 杆侧耳轴型Rod side trunnion style T: 无杆侧耳轴型: Head side trunnion style E: 耳环一体型Clevis integrated style BZ: 无凸台基本型Boss-cut basic style FZ: 无凸台杆侧法兰型Boss-cut rod side trunnion style UZ: 无凸台杆侧耳轴型Boss-cut rod side flange style | | 缸径 Cylinder Bore 20 25 32 40 | | 配管方式 无记号: 螺纹配管 F: 内置快换接头 *气液联用式螺纹配管 Piping Black: Screw-in type F: Built-in One-touch fittings *Air-hydro cylinder: Screw-in type only | | 行程 Stroke | | 缓冲 无记号: 橡胶缓冲 A: 气缓冲 *气液联用式仅橡胶缓冲 Blank: Rubber bumper A: Air cushion Cushion *Air-hydro cylinder: Rubber bumper only | | 防护套 无记号: 无 J: 尼龙帆布 K: 耐热帆布 Rod boot Blank: None J: Nylon tarpaulin K: Heat resistant tarpaulin | | 磁性开关个数 无记号: 2个 S: 1个 n: n个 Number of auto switches Nil: 2 pcs. S: 1 pc. n: "n" pcs. |

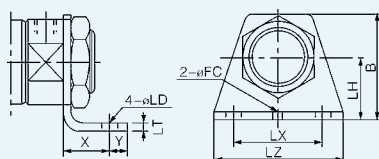
外形尺寸 | Overall Dimension

基本型 Basic

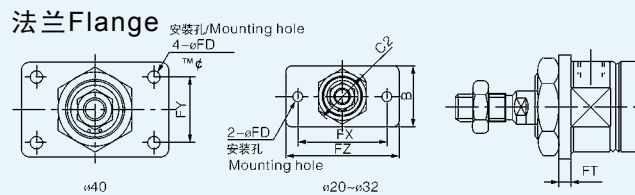


| 缸径(mm) Bore | 行程范围 Stroke Range | A | AL | B1 | B2 | D | E | F | G | H | H1 | H2 | I | K | MM | N | NA | NN | P | S | ZZ | WA | WB |
|----------------|----------------------|----|------|----|----|----|-----------------------------------|----|----|----|----|----|------|-----|----------|------|------|---------|-----|----|-----|----|------|
| 20 | -300 | 18 | 15.5 | 13 | 26 | 8 | 20 ⁰ _{-0.033} | 13 | 8 | 41 | 5 | 8 | 28 | 5 | M8X1.25 | 15 | 24 | M20X1.5 | 1/8 | 62 | 116 | 13 | 8.5 |
| 25 | -300 | 22 | 19.5 | 17 | 32 | 10 | 26 ⁰ _{-0.033} | 13 | 8 | 45 | 6 | 8 | 33.5 | 5.5 | M10X1.25 | 15 | 30 | M26X1.5 | 1/8 | 62 | 120 | 13 | 10 |
| 32 | -300 | 22 | 19.5 | 17 | 32 | 12 | 26 ⁰ _{-0.033} | 13 | 8 | 45 | 6 | 8 | 37.5 | 5.5 | M10X1.25 | 15 | 34.5 | M26X1.5 | 1/8 | 64 | 122 | 13 | 11.5 |
| 40 | -300 | 24 | 21 | 22 | 41 | 14 | 32 ⁰ _{-0.039} | 16 | 11 | 50 | 8 | 10 | 46.5 | 7 | M14X1.5 | 21.5 | 41.5 | M32X2 | 1/4 | 88 | 154 | 16 | 15 |

脚座Foot



法兰Flange

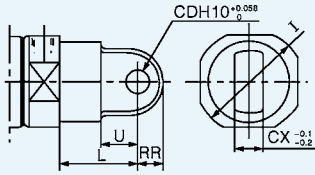


| 适用缸径 Bore (mm) | 脚座/Foot | | | | | | | | | | 法兰/Flange | | | | | | | |
|-------------------|-------------|----|----|-----|-----|----|----|----|-----|----|-------------|----|----|----|----|------|----|----|
| | 零件号Part No. | X | Y | ΦLD | ΦLC | LX | LZ | LH | LT | B | 零件号Part No. | FD | FY | FX | FZ | C2 | B | FT |
| 20 | CM-L020B | 20 | 8 | 6.8 | 4 | 40 | 55 | 25 | 3.2 | 40 | CM-F020B | 7 | - | 60 | 75 | 30 | 34 | 4 |
| 25 | CM-L032B | 20 | 8 | 6.8 | 4 | 40 | 55 | 28 | 3.2 | 47 | CM-F032B | 7 | - | 60 | 75 | 37 | 40 | 4 |
| 32 | CM-L032B | 20 | 8 | 6.8 | 4 | 40 | 55 | 28 | 3.2 | 47 | CM-F032B | 7 | - | 60 | 75 | 37 | 40 | 4 |
| 40 | CM-L040B | 23 | 10 | 7 | 4 | 55 | 75 | 30 | 3.2 | 54 | CM-F040B | 7 | 36 | 66 | 82 | 47.3 | 52 | 5 |

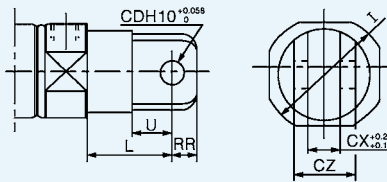
CM2系列标准气缸(Ø20~Ø40)

CM2 Series Standard Cylinder (Ø20~Ø40)

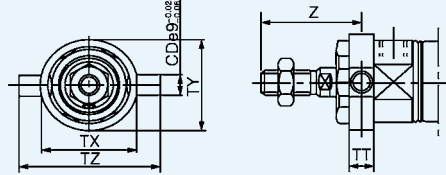
单耳环/Single Earring



双耳环/Double Earring

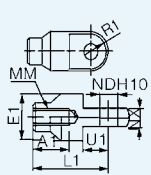


轴耳Truniog

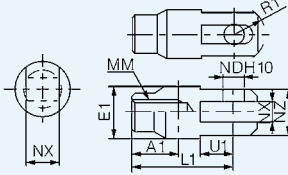


| 缸径 Bore (mm) | 单U型钩/Single clevis | | | | | | | 双U型钩/Double clevis | | | | | | | 轴耳/Truniog | | | | | | | |
|-----------------|--------------------|----|----|----|------|-----|----|--------------------|----|----|----|-----|----|----|------------|-------------|----|----|----|----|------|----|
| | 零件号Part No. | L | U | RR | ΦI | ΦCD | CX | 零件号Part No. | L | U | RR | ΦCD | CX | CZ | ΦI | 零件号Part No. | TX | TZ | TD | TY | Z | TT |
| 20 | CM-C020B | 30 | 14 | 9 | 28 | 9 | 10 | CM-D020B | 30 | 14 | 9 | 9 | 10 | 19 | 28 | CM-T020B | 32 | 52 | 8 | 32 | 36 | 10 |
| 25 | CM-C020B | 30 | 14 | 9 | 33.5 | 9 | 10 | CM-D032B | 30 | 14 | 9 | 9 | 10 | 19 | 33.5 | CM-T032B | 40 | 60 | 9 | 40 | 40 | 10 |
| 32 | CM-C020B | 30 | 14 | 9 | 37.5 | 9 | 10 | CM-D032B | 30 | 14 | 9 | 9 | 10 | 19 | 37.5 | CM-T032B | 40 | 60 | 9 | 40 | 40 | 10 |
| 40 | CM-C020B | 39 | 18 | 11 | 46.5 | 10 | 15 | CM-D040B | 39 | 18 | 11 | 10 | 15 | 30 | 46.5 | CM-T040B | 53 | 77 | 10 | 53 | 44.5 | 11 |

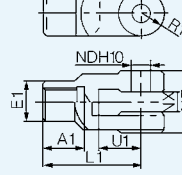
I型单肘节接头 I type single knuckle joint



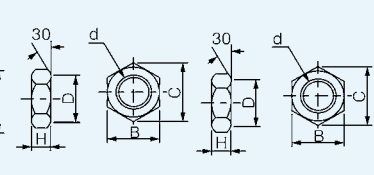
Y型双肘节接头 Y Type double knuckle joint



杆端螺母 Rod end nut

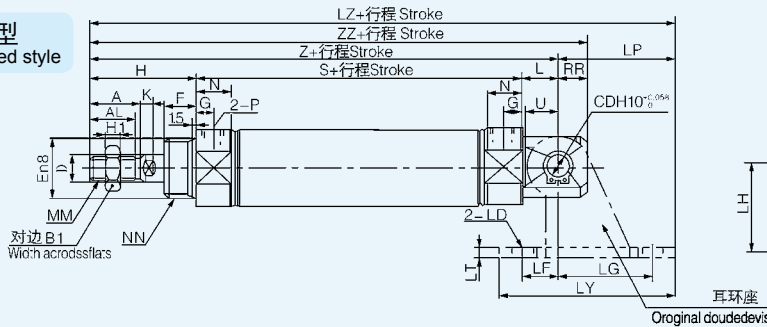


安装螺母 Mounting nut



| 缸径(mm) Bore | 单U型钩/Single clevis | | | | | | | | | | 双U型钩/Double clevis | | | | | | | | | | 轴耳/Truniog | | | | | | | | |
|----------------|--------------------|----|----|----|----------|-----|----|------|----|--------|--------------------|----|----|----------|-----|----|----|----|----|-------|------------|------|----------|---|---------|----|------|---------|----|
| | 零件号 | A1 | E1 | L1 | MM | ΦND | NX | R1 | U1 | 零件号 | A1 | E1 | L1 | MM | ΦND | NX | NZ | R1 | U1 | 零件号 | B | C | d | H | 零件号 | B | C | d | H |
| 20 | I-020B | 16 | 20 | 36 | M8X1.25 | 9 | 9 | 10 | 14 | Y-020B | 16 | 20 | 36 | M8X1.25 | 9 | 9 | 18 | 5 | 14 | NT-02 | 13 | 16 | M8X1.25 | 5 | SN-020B | 26 | 30 | M20X1.5 | 8 |
| 25 32 | I-032B | 18 | 20 | 38 | M10X1.25 | 9 | 9 | 10 | 14 | Y-032B | 18 | 20 | 38 | M10X1.25 | 9 | 9 | 18 | 5 | 14 | NT-03 | 17 | 19.6 | M10X1.25 | 6 | SN-032B | 32 | 37 | M26X1.5 | 8 |
| 40 | I-040B | 22 | 24 | 55 | M14X1.5 | 16 | 16 | 15.5 | 20 | Y-040B | 22 | 24 | 55 | M14X1.5 | 12 | 16 | 38 | 13 | 25 | NT-04 | 22 | 25.4 | M14X1.5 | 8 | SN-040B | 41 | 47.3 | M32X2 | 10 |

耳环一体型 Clevis integrated style

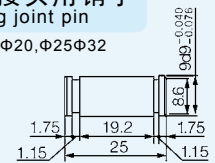


| 缸径(mm) Bore | 行程范围 Stroke Range | A | AL | B1 | CD | CX | D | E | F | G | H | H1 | I | K | L | MM | N | NA | NN |
|----------------|----------------------|----|------|----|----|----|----|-----------------------------------|----|----|----|----|------|-----|----|----------|------|------|---------|
| 20 | -300 | 18 | 15.5 | 13 | 8 | 12 | 8 | 20 ⁰ _{-0.033} | 13 | 8 | 41 | 5 | 28 | 5 | 12 | M8X1.25 | 15 | 24 | M20X1.5 |
| 25 | -300 | 22 | 19.5 | 17 | 8 | 12 | 10 | 26 ⁰ _{-0.033} | 13 | 8 | 45 | 6 | 33.5 | 5.5 | 12 | M10X1.25 | 15 | 30 | M26X1.5 |
| 32 | -300 | 22 | 19.5 | 17 | 10 | 20 | 12 | 26 ⁰ _{-0.033} | 13 | 8 | 45 | 6 | 37.5 | 5.5 | 15 | M10X1.25 | 15 | 34.5 | M26X1.5 |
| 40 | -300 | 24 | 21 | 22 | 10 | 20 | 14 | 32 ⁰ _{-0.039} | 16 | 11 | 50 | 8 | 46.5 | 7 | 15 | M14X1.5 | 21.5 | 42.5 | M32X2 |

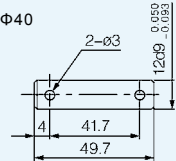
肘节接头用销子 Loading joint pin

适合缸径Ø20, Ø25, Ø32

CDP-1



适合缸径Ø40
CDP-3



原装单U型钩接座 Orgind double clevis picet bracket

| 缸径(mm) Bore | P | RR | S | U | Z | ZZ | 零件号 Part No | 适用缸径 Bore (mm) | LD | LF | LG | LH | LP | LT | LV | LY | LZ |
|----------------|-----|----|----|------|-----|-----|----------------|-------------------|-----|----|----|----|----|-----|------|----|-----|
| 20 | 1/8 | 9 | 62 | 11.5 | 115 | 124 | CM-E020B | 20 | 6.8 | 15 | 30 | 30 | 37 | 3.2 | 18.4 | 59 | 152 |
| 25 | 1/8 | 9 | 62 | 11.5 | 119 | 128 | | 25 | 6.8 | 15 | 30 | 30 | 37 | 3.2 | 18.4 | 59 | 156 |
| 32 | 1/8 | 12 | 64 | 14.5 | 124 | 136 | CM-E032B | 32 | 9 | 15 | 40 | 40 | 50 | 4 | 28 | 75 | 174 |
| 40 | 1/4 | 12 | 88 | 14.5 | 165 | 165 | | 40 | 9 | 15 | 40 | 40 | 50 | 4 | 28 | 75 | 203 |

CJ2系列标准气缸(双作用 Ø6~Ø16)

CJ2 Series Standard Cylinder (Double Acting Ø6~Ø16)



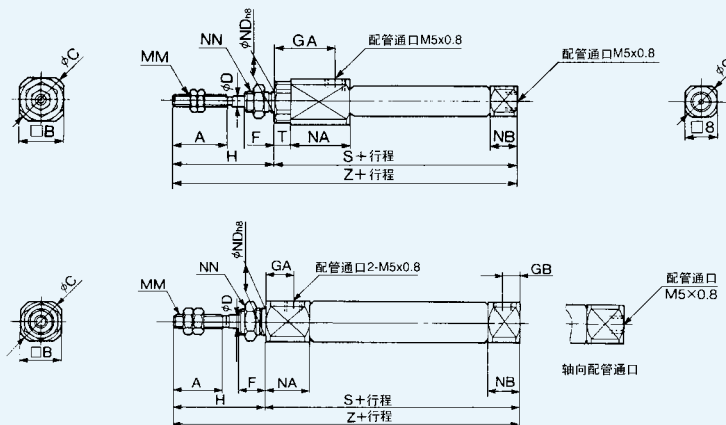
订购码 | Ordering Code

| | | | | | | | | | | | | |
|--|---|---|---|---|---|---------------------------|---|---|---|--|---|---|
| CDJ2 | - | B | - | 6 | - | 15 | - | A | - | R | - | □ |
| 内置磁环 无记号: 无内置磁环 D: 内置磁环 Built-in magnet Black: Without auto switch D: With auto switch | | 安装形式 B: 基本型 L: 轴向脚座型 F: 杆侧法兰型 D: 双耳环型 Install Type B: Basic style L: Axial foot style F: Rod side flange style D: Double clevis style | | 缸径 Cylinder Bore 6 10 16 | | 行程 Stroke 15 | | 缓冲 无记号: 橡胶缓冲 A: 气缓冲(除Ø6) *气液联用式仅橡胶缓冲 Buffer Blank: Rubber Buffer A: Air Buffer *Air-hydro cylinder: Rubber Buffer only | | 无杆缸盖上的 配管接口方位 Port location on head cover 缸径 无记号: R: Ø6 - 径向 Perpendicular to axis Ø10Ø16 径向 轴向 Perpendicular to axis Axial foot style *双耳环型仅有径向 Double clevis style is only available for being perpendicular to axis. | | 磁性开关个数 无记号: 2个 S: 1个 n: n个 Number of auto switches Nil: 2 pcs. S: 1 pc. n: "n" pcs. |

规格 | Specification

| 缸径/Bore(mm) | 6 | 10 | 16 |
|--|-------------------------------------|----|----|
| 使用流体/Fluid | 空气 Air | | |
| 动作方式/Motion Parttern | 双作用 Double Acting | | |
| 最低使用压力/Min. Operating Pressure | 1.05MPa | | |
| 最高使用压力/Max. Operating Pressure | 0.7MPa | | |
| 环境和流体温度/Condition and Medium Temperature | 5~60℃ | | |
| 缓冲/Buffer | 橡胶缓冲 Rubber Buffer / 气缓冲 Air Buffer | | |
| 使用活塞速度/Working Frequency | 50~750mm/s | | |
| 行程公差/Margin of stroke Error | +1.0mm 0mm | | |
| *给油/Lubrication | 不需要 Not Necessary | | |
| 接管口径/Port Size | M5x0.8 | | |

外形尺寸 | Overall Dimension



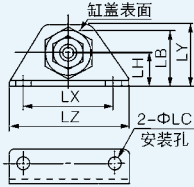
| 缸径/Bore (mm) | A | B | C | D | F | GA | GB | H | MM | NA | NB | ND h8 | NN | S | T | Z |
|--------------|----|------|----|---|---|------|----|----|--------|------|-----|-------|---------|----|---|----|
| 6 | 15 | 12 | 14 | 3 | 8 | 14.5 | - | 28 | M3x0.5 | 16 | 7 | 6 | M6x1.0 | 49 | 3 | 77 |
| 10 | 15 | 12 | 14 | 4 | 8 | 8 | 5 | 28 | M4x0.7 | 12.5 | 9.5 | 8 | M8x1.0 | 46 | - | 74 |
| 16 | 15 | 18.3 | 20 | 5 | 8 | 8 | 5 | 28 | M5x0.8 | 12.5 | 9.5 | 10 | M10x1.0 | 47 | - | 75 |

CJ2系列标准气缸(双作用 Ø6~Ø16)

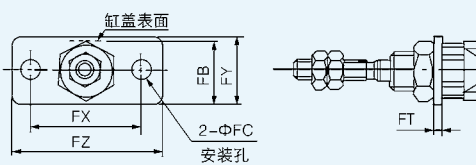
CJ2 Series Standard Cylinder (Double Acting Ø6~Ø16)

外形尺寸 | Overall Dimension

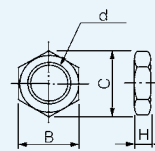
脚座/Foot



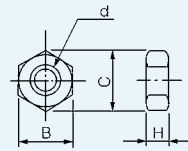
法兰/Flange



安装螺母
Mounting nut

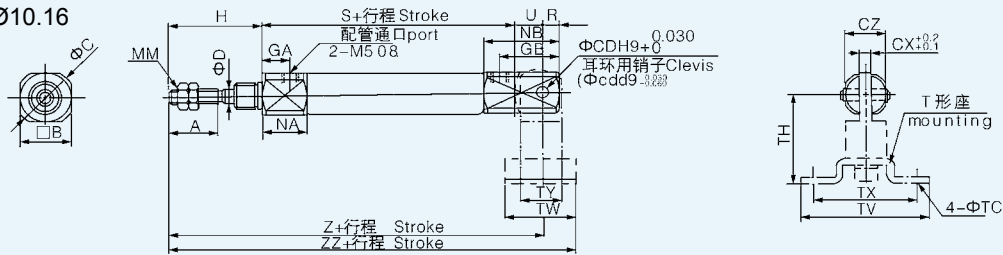


杆端螺母
Rod end nut



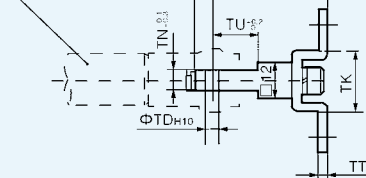
| 适合缸径 Bore (mm) | 脚座/Foot | | | | | | 法兰/Flange | | | | | | 安装用螺母/Mounting Nut | | | | 杆端螺母/Rod end Nut | | | | | | | |
|-------------------|-------------|----|-----|----|----|------|-----------|-------------|----|-----|----|----|--------------------|-----|-------------|----|------------------|-------|---|-------------|-----|-----|--------|-----|
| | 零件号/Part No | LB | ΦLC | LH | LX | LY | LZ | 零件号/Part No | FB | ΦFC | FX | FY | FZ | FT | 零件号/Part No | B | C | d | H | 零件号/Part No | B | C | d | H |
| 6 | CJ-L006B | 15 | 4.5 | 9 | 24 | 16.5 | 32 | CJ-F006B | 11 | 4.5 | 24 | 14 | 32 | 1.6 | SNJ-006B | 8 | 9.2 | M6x1 | 4 | NTJ006A | 5.5 | 6.4 | M3x0.5 | 2.4 |
| 10 | CJ-L010B | 15 | 4.5 | 9 | 24 | 16.5 | 32 | CJ-F010B | 13 | 4.5 | 24 | 14 | 32 | 1.6 | SNJ-010B | 11 | 12.7 | M8x1 | 4 | NTJ010A | 7 | 8.1 | M4x0.7 | 3.2 |
| 16 | CJ-L016B | 23 | 5.5 | 14 | 33 | 25 | 42 | CJ-F016B | 19 | 5.5 | 33 | 20 | 42 | 2.3 | SNJ-016B | 14 | 16.2 | M10x1 | 4 | NTJ015A | 8 | 9.2 | M5x0.8 | 4 |

CJ2D双耳环型 Ø10.16

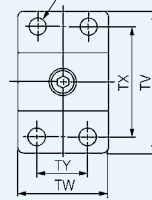


| 适合缸径Bore (mm) | A | B | C | CD(cd) | CX | CZ | D | GA | GB | H | MM | NA | NB | R | S | U | Z | ZZ |
|---------------|----|------|----|--------|-----|------|---|----|----|----|--------|------|------|---|----|----|----|----|
| 10 | 15 | 12 | 14 | 3.3 | 3.2 | 12 | 4 | 8 | 18 | 28 | M4x0.7 | 12.5 | 22.5 | 5 | 46 | 8 | 82 | 93 |
| 16 | 15 | 18.3 | 20 | 5 | 6.5 | 18.3 | 5 | 8 | 23 | 28 | M5x0.8 | 12.5 | 27.5 | 8 | 47 | 10 | 85 | 99 |

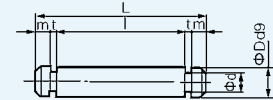
双耳环型气缸
Double clevis cylinder



T形座/Basic

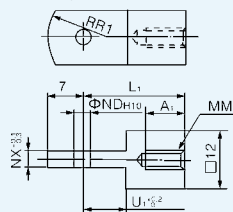


双耳环用销子/Double clevis pin

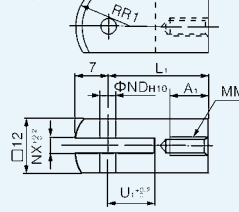


| 适合缸径 Bore (mm) | T型单肘接头T Type single knuckle joint | | | | | | | | | | | | 肘节接头用销子/Loating jointtt pin | | | | | | |
|-------------------|-----------------------------------|-----|------------------------------------|----|----|-----|-----|----|----|----|----|----|-----------------------------|---------------------------------------|-----|------|------|-----|-----|
| | 零件号Part No. | TC | TD ^{H10} | TH | TK | TN | TT | TU | TV | TW | TX | TY | 零件号Part No. | Dd9 | Φd | L | e | m | t |
| 10 | CJ-T010B | 4.5 | 3.3 ^{+0.048} ₀ | 29 | 18 | 3.1 | 2 | 9 | 40 | 22 | 32 | 12 | CD-J010 | 3.3 ^{+0.03} _{-0.05} | 3 | 15.2 | 12.2 | 1.2 | 0.3 |
| 16 | CJ-T016B | 5.5 | 5 ^{+0.048} ₀ | 35 | 20 | 6.4 | 2.3 | 14 | 48 | 28 | 38 | 16 | CD-Z015 | 5 ^{+0.03} _{-0.06} | 4.8 | 22.7 | 18.3 | 1.5 | 0.7 |

I型单肘节接头
I Type single knuckle joint



Y型双肘节接头
Y Type deoble knuckle joint



肘节接头用销子
Loating jointtt pin



| 适合缸径 Bore (mm) | I型单肘接头I Type single knuckle joint | | | | | | | | Y型双肘接头Y Type deoble knuckle jointt | | | | | | | | 肘节接头用销子/Loating jointtt pin | | | | | | |
|-------------------|-----------------------------------|----|------------------------------------|----|--------|----|-----|----|------------------------------------|----|------------------------------------|----|--------|----|-----|----|-----------------------------|---------------------------------------|------|-----|------|-----|-----|
| | 零件号Part No. | A1 | ND ^{H10} | L1 | MM | U1 | NX | R1 | 零件号Part No. | A1 | ND ^{H10} | L1 | MM | U1 | NX | R1 | 零件号Part No. | ΦDdg | L | d | e | m | t |
| 10 | I-J010B | 8 | 3.3 ^{+0.048} ₀ | 21 | M4x0.7 | 9 | 3.1 | 8 | Y-J010B | 8 | 3.3 ^{+0.048} ₀ | 21 | M4x0.7 | 10 | 3.2 | 8 | IY-J010 | 3.3 ^{+0.03} _{-0.06} | 16.2 | 3 | 12.2 | 1.7 | 0.3 |
| 16 | I-J016B | 8 | 5 ^{+0.048} ₀ | 25 | M5x0.8 | 14 | 6.4 | 12 | Y-J016B | 11 | 5 ^{+0.048} ₀ | 21 | M5x0.8 | 10 | 6.5 | 12 | IY-J015 | 5 ^{+0.03} _{-0.06} | 16.6 | 4.8 | 12.2 | 1.5 | 0.7 |

C85系列欧洲标准气缸

C85 Series Europe Standard Cylinder



A

订购码 | Ordering Code

| | | | | | | | | | | | | |
|--|---|--|---|-----------------------------|---|---|---|---|---|---|---|-----------|
| CD85 | - | N | - | 16 | - | 40 | - | C | - | J | - | R2 |
| 内置磁环 无记号: 无内置磁环 D: 内置磁环 Built-in magnet Black: Without auto switch D: With auto switch | | 固定形式 Mounting style N: 单耳环一体型 Basic integrated clevis *E: 基本型(两端带安装螺纹) Double end F: 无凸台型(平端型) Front nose **Y: 无凸台轴向通气型 Front nose in line port *双杆双作用只有E型 Double acting, Double rod: Only double end style (E). **单作用T型除外 Except air cushion type. | | 缸径-行程 Bore-Stroke | | 缓冲 无记号: 垫缓冲(标准) C*气缓冲 *仅"N"型, 且缸径Ø8除外。 Rubber Buffer (Standard) Air Buffer (Only "N" execution, bores 10 to 25 mm) | | 防护套 (仅Ø8及Ø25) 无记号: 无防护套 J: 一侧尼龙帆布 JJ* 两侧尼龙帆布 K: 一侧耐热帆布 KK* 两侧耐热帆布 Blank: Without rod boot J: Nylon tarpaulin one side JJ* Heat resistant tarpaulin one side K: Nylon tarpaulin both sides KK* Heat resistant tarpaulin both sides | | 可选项 无记号: 标准型 R: 不锈钢的活塞杆, 活塞杆螺母及安装螺母 R2: 不锈钢的活塞杆及活塞杆螺母 R: Stainless steel piston rod, rod end nut and mounting nut R2: Stainless steel piston rod and rod end nut | | |

规格 | Specification

| 缸径/Bore (mm) | 8 | 10 | 12 | 16 | 20 | 25 |
|---|--|------|------|------|-------|------|
| 流体/Fluid | 空气 Air | | | | | |
| 动作方式/Motion Pattern | 双动 Double Action | | | | | |
| 最高使用压力 Max. Operating Pressure | 1.0MPa | | | | | |
| 最低使用压力(MPa) Min. Operating Pressure | 0.1 | 0.08 | | 0.05 | | |
| 环境和流体温度 Condition and Medium Temperature | -20~+80℃ (内置磁环型为 Built-in magnet: -10~60℃) | | | | | |
| 缓冲/Buffer | 橡胶缓冲(标准), 气缓冲(任选) Rubber Buffer, Air Buffer (Except Ø8) (Non-rotating: Rubber Buffer only) | | | | | |
| 活塞速度 Working Frequency | 50~1500mm/s | | | | | |
| *给油 Lubrication | 不需要 Not necessary | | | | | |
| 允许动能(J)(垫缓冲时) Allowable kinetic energy Rubber cushion | 0.02 | 0.03 | 0.04 | 0.09 | 0.27 | 0.4 |
| 允许动能(J)(气缓冲时) Allowable kinetic energy Air cushion | - | 0.17 | 0.19 | 0.4 | 0.66 | 0.97 |
| 接管口径 Joint Port Bore | M5×0.8 | | | | G1/8" | |

*如需给油, 请用透平1号油ISOVG32.

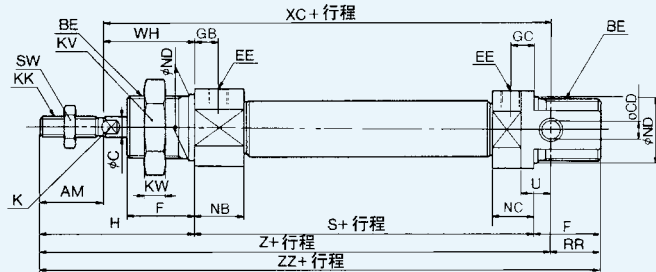
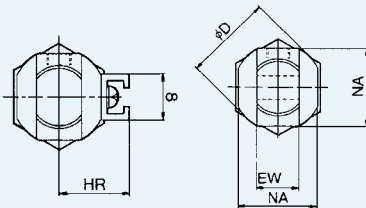
| 安装件/缸径 Mounting bracket Bore size (mm) | 8-10 | 12-16 | 20 | 25 |
|--|------------|------------|------------|-------------|
| 脚座1个/Foot one | C85L10A | C85L16A | C85L25A | |
| 脚座2个, 螺母1个 Foot (2 pcs. with mounting nut 1 pc.) | C85L10B | C85L16B | C85L25B | |
| 法兰/Flange | C85F10 | C85F16 | C85F25 | |
| 耳轴/Trunion | C85T10 | C85T16 | C85T25 | |
| 耳环/Earring | C85C10 | C85C16 | C85C25 | |
| 单肘接头/Single knuckle joint | KJ4D | KJ6D | KJ8D | KJ10D |
| 双肘接头/Double knuckle joint | GKM4-8 | GKM6-10 | GKM8-16 | GKM10-20 |
| 浮动接头/Floating joint | JA10-4-070 | JA15-6-100 | JA20-8-125 | JA30-10-125 |

C85系列欧洲标准气缸

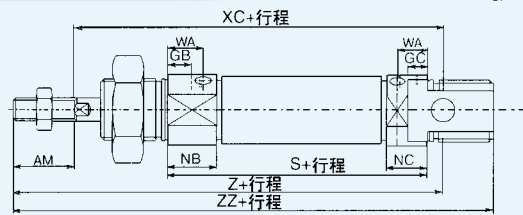
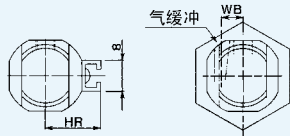
C85 Series Europe Standard Cylinder

外形尺寸 | Overall Dimension

无内置磁环及有内置磁环橡胶缓冲

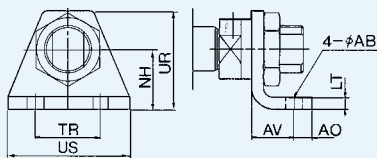


无内置磁环及有内置磁环气缓冲

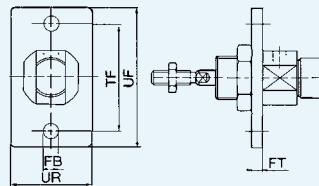


| 缸径 Bore | AM | BE | ΦC | ΦCD | ΦD | EE | EW | F | GB | GC | WA | WB | H | HR | K | KK | KV | KW | NB | NC | NA | ΦND | RR | S | SW | U | WH | XC | Z | ZZ |
|------------|----|----------|----|-----|------|--------|----|----|------------|------------|--------------|------|----|------|---|----------|----|----|----------------|----------------|------|-----|----|------------|----|----|----|------------|------------|--------------|
| Φ8 | 12 | M12×1.25 | 4 | 4 | 16.7 | M5×0.8 | 8 | 12 | 7 | 5 | - | - | 28 | 10 | - | M4×0.7 | 19 | 6 | 11.5 | 9.5 | 15 | 12 | 10 | 46 | 7 | 6 | 16 | 64 | 76 | 86 |
| Φ10 | 12 | M12×1.25 | 4 | 4 | 16.7 | M5×0.8 | 8 | 12 | 7 (5.5) | 5 (5.5) | 10.5 | 4.5 | 28 | 10.5 | - | M4×0.7 | 19 | 6 | 11.5 (13.5) | 9.5 (13.5) | 15 | 12 | 10 | 46 (53) | 7 | 6 | 16 | 64 (71) | 76 (83) | 86 (93) |
| Φ12 | 16 | M16×1.5 | 6 | 6 | 19.7 | M5×0.8 | 12 | 17 | 8 (5.5) | 6 (5.5) | 9.5 | 5.5 | 38 | 14 | 5 | M6×1 | 24 | 8 | 12.5 (12.5) | 10.5 (12.5) | 18.3 | 16 | 14 | 50 (54) | 10 | 9 | 22 | 75 (79) | 91 (95) | 105 (109) |
| Φ16 | 16 | M16×1.5 | 6 | 6 | 19.7 | M5×0.8 | 12 | 17 | 8 (5.5) | 6 (5.5) | 9.5 | 5.5 | 38 | 14 | 5 | M6×1 | 24 | 8 | 12.5 (12.5) | 10.5 (12.5) | 18.3 | 16 | 13 | 56 | 10 | 9 | 22 | 82 | 98 | 111 |
| Φ20 | 20 | M22×1.5 | 8 | 8 | 28 | G1/8 | 16 | 20 | 8 | 8 | 11.5 (13) | 8.5 | 44 | 17 | 6 | M8×1.25 | 32 | 11 | 15 (17) | 15 (17) | 24 | 22 | 11 | 62 | 13 | 12 | 24 | 95 | 115 | 126 |
| Φ25 | 22 | M22×1.5 | 10 | 8 | 33.5 | G1/8 | 16 | 22 | 8 | 8 | 11.5 (13) | 10.5 | 50 | 20 | 8 | M10×1.25 | 32 | 11 | 15 (17) | 15 (17) | 30 | 22 | 11 | 65 | 17 | 12 | 28 | 104 | 126 | 137 |

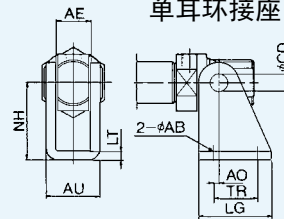
脚座Foot



法兰Flange

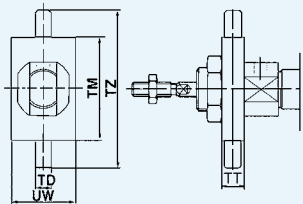


单耳环接座



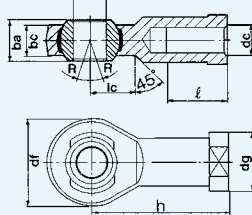
| 适合缸径 Bore(mm) | 脚座/Foot | | | | | | | | | 法兰/Flange | | | | | | 单耳环接座 | | | | | | | | | |
|------------------|-------------|-----|----|----|-----|----|----|----|----|-------------|-----|-----|----|----|----|-------------|-----|-----|------|----|-----|------|------|----|-----|
| | 零件号Part No. | ΦAB | AO | AV | LT | TR | US | NH | UR | 零件号Part No. | FT | FB | UR | TF | UF | 零件号Part No. | ΦAB | AO | TR | LG | ΦCD | AE | AU | NH | LT |
| 8-10 | C85L10A | 4.5 | 5 | 11 | 3.2 | 25 | 35 | 16 | 26 | C85F10 | 3.2 | 4.5 | 22 | 30 | 40 | C85C10 | 4.5 | 1.5 | 12.5 | 20 | 4 | 8.1 | 13.1 | 24 | 2.5 |
| 12-16 | C85L16A | 5.5 | 6 | 14 | 4 | 32 | 42 | 20 | 33 | C85F16 | 4 | 5.5 | 30 | 40 | 52 | C85C16 | 5.5 | 2 | 15 | 25 | 6 | 12.1 | 18.5 | 27 | 3.2 |
| 20-25 | C85L25A | 6.6 | 8 | 17 | 5 | 40 | 54 | 25 | 42 | C85F25 | 5 | 6.6 | 40 | 50 | 66 | C85C25 | 6.6 | 4 | 20 | 32 | 8 | 16.1 | 24.1 | 30 | 4 |

耳轴/Truniog



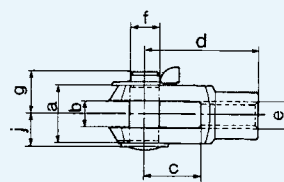
I型单肘节接头

I Type single knuckle joint



Y型双肘节接头

Y Type double knuckle joint



| 适合缸径 Bore(mm) | 耳轴/Earring | | | | | | I型单肘接头/DIN648 | | | | | | | | | | Y型双肘接头/DIN1751 | | | | | | | | | |
|------------------|-------------|----|----|----|----|----|---------------|----------|----|----|----|------|----|----|----|-----|----------------|-------------|----------|----|----|----|----|----|----|----|
| | 零件号Part No. | TT | TD | UW | TM | TZ | 零件号Part No. | dc | Φd | h | df | bc | ba | ℓ | dg | R° | lc | 零件号Part No. | e | b | d | f | g | c | j | a |
| 8-10 | C85T10 | 6 | 4 | 20 | 26 | 38 | KJ4D | M4×0.7 | 5 | 27 | 18 | 6 | 8 | 10 | 11 | 7.5 | 10 | GKM4-8 | M4×0.7 | 4 | 16 | 4 | 8 | 8 | 6 | 8 |
| 12-16 | C85T16 | 8 | 6 | 25 | 38 | 58 | KJ6D | M6×1 | 6 | 30 | 20 | 6.75 | 9 | 12 | 13 | 6.5 | 10 | GKM6-12 | M6×1 | 6 | 24 | 6 | 10 | 12 | 8 | 12 |
| 20 | C85T25 | 8 | 6 | 32 | 46 | 66 | KJ8D | M8×1.25 | 8 | 36 | 24 | 9 | 12 | 16 | 16 | 13 | 12 | GKM8-16 | M8×1.25 | 8 | 32 | 8 | 12 | 16 | 10 | 16 |
| 25 | C85T25 | 8 | 6 | 32 | 46 | 66 | KJ10D | M10×1.25 | 10 | 43 | 28 | 10.5 | 14 | 20 | 19 | 13 | 14 | GKM10-20 | M10×1.25 | 10 | 40 | 10 | 18 | 20 | 12 | 20 |

ACQ系列超薄气缸

ACQ Series Thin Type Cylinder

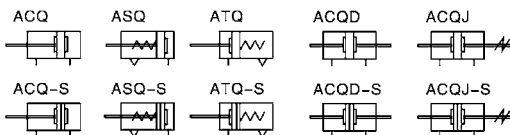


规格 | Specification

①. 接管牙型有NPT、G牙可供选择。

| 内径/Bore (mm) | | 12 | 16 | 20 | 25 | 32 | 40 | 50 | 63 | 80 | 100 |
|--------------------------------------|--|------------------------|----|-----|----|-----|----|-----|----|----|-----|
| 动作型式 Motion Type | 复动型 Double Action | | | | | | | | | | |
| | 单动伸出型、单动压入型 Single Action Extrusion type, Single Action Drawing-in Type | - | | | | | | | | | |
| 使用压力范围 Operation Pressure Range | 复动型 Double Action | 0.1-1.0MPa (14-145Psi) | | | | | | | | | |
| | 单动型 Single Action | 0.2-1.0MPa (28-145Psi) | | | | | | | | | |
| 保证耐压力 Proof Pressure | 1.5MPa (215Psi) | | | | | | | | | | |
| 工作温度 °C Working Temperature | -20-80 | | | | | | | | | | |
| 使用速度范围 Operation Speed Range mm/s | 复动型 Double Action: 30-500 ^{±1.0} 单动型 Single Action: 50-500 ^{±1.4} | | | | | | | | | | |
| 行程公差范围 Stroke tolerance Range | 行程 Strokes ≤ 150 行程 Strokes ≤ 150 | | | | | | | | | | |
| 缓冲型式 Buffer Type | 防撞垫 Buffer washer | | | | | | | | | | |
| 接管口径 Port Size | M5x0.8 | | | 1/8 | | 1/4 | | 3/8 | | | |

符号 | Symbol



行程 | Stroke

| 内径 (mm) Bore | 标准行程/Standard Stroke (mm) | 最大行程 Max. Stroke | 容许行程 Permissible Stroke | |
|-----------------|---------------------------|------------------------------------|----------------------------|-------------------|
| | | | 不附磁 Without magnet | 附磁 With magnet |
| 12 | 复动 Double Action | 5 10 15 20 25 30 35 40 45 50 | 80 | 70 |
| | 单动 Single Action | 5 10 15 20 | - | - |
| 16 | 复动 Double Action | 5 10 15 20 25 30 35 40 45 50 55 60 | 80 | 70 |
| | 单动 Single Action | 5 10 15 20 | - | - |
| 20 | 复动 Double Action | 5 10 15 20 25 30 35 40 45 50 | 130 | 130 |
| | | 55 60 70 75 80 90 100 | | |
| 25 | 单动 Single Action | 5 10 15 20 25 30 | - | - |
| 32 | 复动 Double Action | 5 10 15 20 25 30 35 40 45 50 | 150 | 150 |
| | | 55 60 70 75 80 90 100 | | |
| 40 | 单动 Single Action | 5 10 15 20 25 30 | - | - |
| 50 | | | | |
| 63 | 单动 Single Action | 5 10 15 20 25 30 | - | - |
| 80 | | | | |
| 100 | 单动 Single Action | 5 10 15 20 25 30 | - | - |

产品特性 | Speciality

1. 执行JIS标准
2. 缸体与后盖，活塞与活塞杆采用铆合结构，紧凑可靠；
3. 缸体内径滚压处理后并作硬质氧化处理，耐磨、耐久性好；
4. 活塞密封采用异形双向密封结构。尺寸紧凑，有储油功能；
5. 紧凑型结构，能有效节省安装空间；
6. 缸体周边带有磁感应开关槽，安装感应开关方便；
7. 多种规格安装附件可供选择。

订购码 | Ordering Code

ACQ - **S** - **20** X **30** - **30** - **B** - □

系列代号
ACQ: 超薄气缸(复动型)
ATQ: 超薄气缸(单动伸出型)
ASQ: 超薄气缸(单动引入型)
ACQD: 超薄气缸(双轴复动型)
ACQJ: 超薄气缸(双轴复动行程可调型)

Model
ACQ: Thin Type Cylinder (Double Action)
ATQ: Thin Type Cylinder (Single Action extrusion type)
ASQ: Thin Type Cylinder (Single Action Drawing-in type)
ACQD: Thin Type Cylinder (Double Action Double-shaft type)
ACQJ: Thin Type Cylinder (Double Action Double-shaft Adjustable type)

缸径
Cylinder Bore

行程
Stroke

调整行程
10: 10mm
20: 20mm
30: 30mm
40: 40mm
50: 50mm

牙型
空白: 内螺纹
B: 外螺纹
N: 无螺纹

Cog Type
Blank: Internal thread
B: External thread
N: No thread

牙型代码
空白: PT牙
T: NPT牙
G: G牙

Cog Code
Blank: PT thread
T: NPT thread
G: G thread

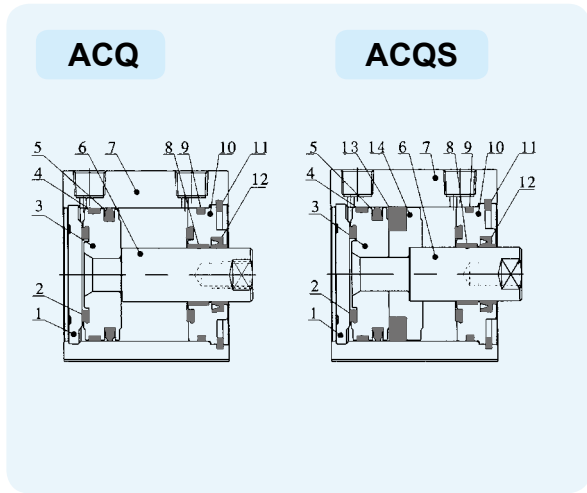
注: 1. 在容许行程范围内, 当行程 > 最大行程时, 作非标处理; 其它特殊行程请与本公司联系。
2. 最大行程范围内的非标行程以上一级标准行程改制而成, 其外形尺寸为上一级标准行程气缸的外形尺寸。

注: 当接管为M5时, 此项代码为空。

ACQ系列超薄气缸

ACQ Series Thin Type Cylinder

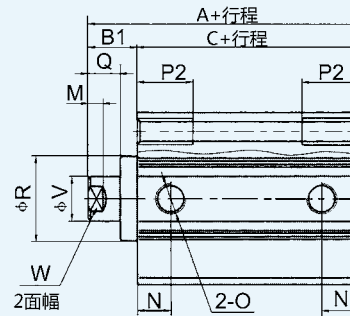
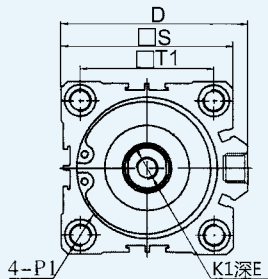
内部结构及主要零件材质 | Parts



| 序号 NO. | 名称 Name | 12 | 16 | 20 | 25 | 32 | 40 | 50 | 63 | 80 | 100 |
|--------|----------------------|---------------------|----|---------------------|---------------------|---------------------|------------|----|----|----|-----|
| 1 | 后盖 Back cover | 无 | | | | 铝合金 Aluminium Alloy | | | | | |
| 2 | 防撞垫(环) Buffer washer | TPU | | | NBR | | | | | | |
| 3 | 活塞 Piston | 黄铜 Brass | | 铝合金 Aluminium Alloy | | | | | | | |
| 4 | 耐磨垫(环) Buffer washer | 无 | | | 耐磨材料 | | | | | | |
| 5 | 活塞O令 | NBR | | | | | | | | | |
| 6 | 活塞杆 Piston Rod | S45C镀硬铬研磨棒 | | | | | | | | | |
| 7 | 本体 Body | 铝合金 Aluminium Alloy | | | | | | | | | |
| 8 | DU干轴承 | 无 | | | 铝合金 Aluminium Alloy | | | | | | |
| 9 | O形环 | NBR | | | | | | | | | |
| 10 | 前盖 Front cover | 黄铜 Brass | | 铝合金 Aluminium Alloy | | | | | | | |
| 11 | C型扣环 | 弹簧铜 | | | | | | | | | |
| 12 | 前盖O令 | NBR | | | | | | | | | |
| 13 | 磁铁 | 烧结钕铁硼 | | | | | 塑胶 Plastic | | | | |
| 14 | 磁铁座 | 黄铜 Brass | | 铝合金 Aluminium Alloy | | | | | | | |

外形尺寸 | Overall Dimension

Ø32~Ø100
行程 > 100, 加长型



| 缸径/符号 Bore/ Symbol | A | B1 | C | D | E | K1 | M | N | O |
|--------------------|------|----|------|-------|----|---------|-----|------|-------|
| 32 | 62.5 | 17 | 45.5 | 49.5 | 13 | M8X1.25 | 6 | 12.5 | PT1/8 |
| 40 | 72 | 17 | 55 | 57 | 13 | M8X1.25 | 6 | 14 | PT1/8 |
| 50 | 73.5 | 18 | 55.5 | 71 | 15 | M10X1.5 | 6.5 | 14 | PT1/4 |
| 63 | 75 | 18 | 57 | 84 | 15 | M10X1.5 | 6.5 | 16.5 | PT1/4 |
| 80 | 86 | 20 | 66 | 104 | 21 | M16X2.0 | 8.5 | 19 | PT3/8 |
| 100 | 97.5 | 22 | 75.5 | 123.5 | 27 | M20X2.5 | 10 | 23 | PT3/8 |

| 缸径/符号 Bore/ Symbol | P1 | P2 | Q | R | S | T | V | W |
|--------------------|---|----|----|-----|----|----|----|----|
| 32 | 双边 Double Side: M6x1.0 通孔 Through Hole: Φ5.2 | 10 | 12 | 45 | 34 | 34 | 16 | 14 |
| 40 | 双边 Double Side: M6x1.0 通孔 Through Hole: Φ5.2 | 10 | 12 | 53 | 40 | 40 | 20 | 17 |
| 50 | 双边 Double Side: M8x1.25 通孔 Through Hole: Φ6.5 | 14 | 13 | 64 | 50 | 50 | 20 | 17 |
| 63 | 双边 Double Side: M10x1.5 通孔 Through Hole: Φ8.7 | 18 | 13 | 77 | 60 | 60 | 20 | 17 |
| 80 | 双边 Double Side: M12x1.75 通孔 Through Hole: Φ10.7 | 22 | 15 | 98 | 77 | 77 | 25 | 22 |
| 100 | 双边 Double Side: M12x1.75 通孔 Through Hole: Φ10.7 | 22 | 17 | 117 | 94 | 94 | 32 | 27 |

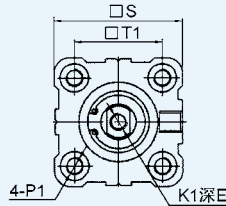
ACQ系列超薄气缸

ACQ Series Thin Type Cylinder

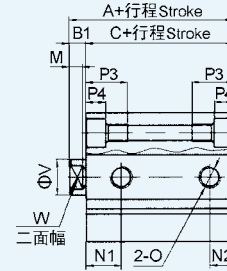
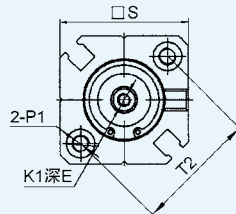
外形尺寸 | Overall Dimension

Ø12, Ø16

标准型

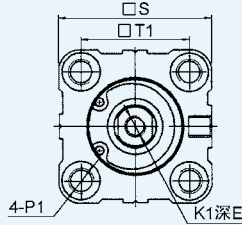


附磁型

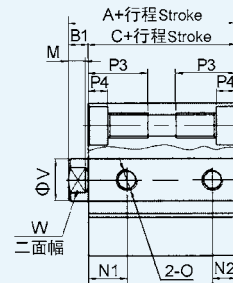
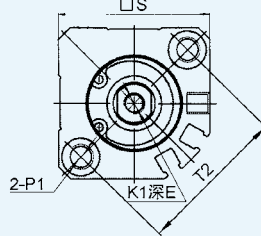


Ø20, Ø25

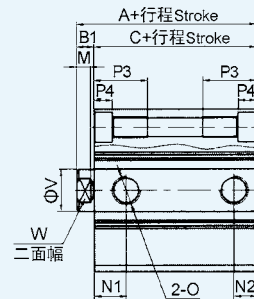
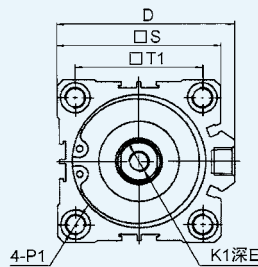
标准型



附磁型



Ø32~Ø100
行程 ≤ 100



| 型式 Type | 标准型 Standard Type | | | | 附磁型 With magnet | | B1 | D | E | K1 | M | N1 | | N2 | |
|---------|-------------------|----------------|----------------|----------------|-----------------|------|------|-------|------|---------|-----|-------------------|-----------------|-------------------|-----------------|
| | A | | C | | A | C | | | | | | 标准型 Standard Type | 附磁型 With magnet | 标准型 Standard Type | 附磁型 With magnet |
| | 行程 Stroke ≤ 50 | 行程 Stroke ≥ 60 | 行程 Stroke ≤ 50 | 行程 Stroke ≥ 60 | | | | | | | | | | | |
| 12 | 20.5 | - | 17 | - | 31.5 | 28 | 3.5 | - | 6 | M3x0.5 | 3.5 | 7.5 | 9 | 5 | 7 |
| 16 | 22 | - | 18.5 | - | 34 | 30.5 | 3.5 | - | 8 | M4x0.7 | 3 | 8 | 9.5 | 5.5 | |
| 20 | 24 | 34 | 19.5 | 29.5 | 36 | 31.5 | 4.5 | - | 7 | M5x0.8 | 4 | 9 | 9.5 | 5.5 | |
| 25 | 27.5 | 37.5 | 22.5 | 32.5 | 37.5 | 32.5 | 5 | - | 12 | M6x1.0 | 4.5 | 11 | | 5.5 | |
| 32 | 行程 Stroke = 5 | | | | | | | | | | | 7.5 | 10.5 | 6.5 | 7.5 |
| | 行程 Stroke > 5 | 30 | 40 | 23 | 33 | 40 | 33 | 7 | 49.5 | 13 | 6 | 10.5 | | 7.5 | |
| 40 | 36.5 | 46.5 | 29.5 | 39.5 | 46.5 | 39.5 | 7 | 57 | 13 | M8x1.25 | 6 | 11 | | 8 | |
| 50 | 行程 Stroke = 5 | | | | | | | | | | | 9 | 10.5 | 9.5 | 10.5 |
| | 行程 Stroke > 5 | 38.5 | 48.5 | 30.5 | 40.5 | 48.5 | 40.5 | 8 | 71 | 15 | 6.5 | 10.5 | | 10.5 | |
| 63 | 行程 Stroke = 5 | | | | | | | | | | | 14 | 15 | 9.5 | 10.5 |
| | 行程 Stroke > 5 | 44 | 54 | 36 | 46 | 54 | 46 | 8 | 84 | 15 | 6.5 | 15 | | 12.5 | |
| 80 | 53.5 | 63.5 | 43.5 | 53.5 | 63.5 | 53.5 | 10 | 104 | 20 | M16x2.0 | 8.5 | 16 | | 14 | |
| 100 | 65 | 75 | 53 | 63 | 75 | 63 | 12 | 123.5 | 26 | M20x2.5 | 9.5 | 20 | | 17.5 | |

| 缸径/符号 Bore/ Symbol | O | P1 | P3 | P4 | S | T1 | T2 | V | W |
|--------------------|--------|--|------|------|-----|------|----|----|----|
| 12 | M5x0.8 | 双边 Double Side: Φ6.5 牙: M4x0.7 通孔 Through Hole: Φ3.4 | 11 | 3.5 | 25 | 15.5 | 22 | 6 | 5 |
| 16 | M5x0.8 | 双边 Double Side: Φ6.5 牙: M4x0.7 通孔 Through Hole: Φ3.4 | 11 | 3.5 | 29 | 20 | 28 | 8 | 6 |
| 20 | M5x0.8 | 双边 Double Side: Φ9 牙: M6x1.0 通孔 Through Hole: Φ5.2 | 17 | 7 | 36 | 25.5 | 36 | 10 | 8 |
| 25 | M5x0.8 | 双边 Double Side: Φ9 牙: M6x1.0 通孔 Through Hole: Φ5.2 | 17 | 7 | 40 | 28 | 40 | 12 | 10 |
| 32 | PT1/8 | 双边 Double Side: Φ9 牙: M6x1.0 通孔 Through Hole: Φ5.2 | 17 | 7 | 45 | 34 | - | 16 | 14 |
| 40 | PT1/8 | 双边 Double Side: Φ9 牙: M6x1.0 通孔 Through Hole: Φ5.2 | 17 | 7 | 53 | 40 | - | 16 | 14 |
| 50 | PT1/4 | 双边 Double Side: Φ11 牙: M8x1.25 通孔 Through Hole: Φ6.5 | 22 | 8 | 64 | 50 | - | 20 | 17 |
| 63 | PT1/4 | 双边 Double Side: Φ14 牙: M10x1.5 通孔 Through Hole: Φ8.7 | 28.5 | 10.5 | 77 | 60 | - | 20 | 17 |
| 80 | PT3/8 | 双边 Double Side: Φ17.5 牙: M12x1.75 通孔 Through Hole: Φ10.7 | 35.5 | 13.5 | 98 | 77 | - | 25 | 22 |
| 100 | PT3/8 | 双边 Double Side: Φ17.5 牙: M12x1.75 通孔 Through Hole: Φ10.7 | 35.5 | 13.5 | 117 | 94 | - | 32 | 27 |

SDA薄型气缸

SDA Compact Cylinder



订购码 | Ordering Code

| | | | | | | | | |
|--|---|-------------------------------------|---|------------------------------|---|---|---|---|
| SDA | - | 50 | - | 30 | - | S | - | LB |
| <p>系列代号 Series Code SDA: 复动型 SSA: 单动伸出型 STA: 单动引入型 SDAD: 双轴型 SDA: Double Action SSA: Single Action (draw-ount) STA: Single Action (drawing-in) SDAD: Double-shaft</p> | | <p>缸径 Cylinder Bore</p> | | <p>行程 Stroke</p> | | <p>磁石代号 空白: 不附磁 S: 附磁石 Magnet Code Blank: Without Magnet S: With Magnet</p> | | <p>牙型 空白: 内螺纹 B: 外螺纹 N: 无螺纹 Cog Type Blank: Internal thread B: External thread N: No thread</p> |

规格 | Specification

| 内 径 Bore (mm) | 12 | 16 | 20 | 25 | 32 | 40 | 50 | 63 | 80 | 100 | | |
|---------------------------------------|-------------------------|----|----------------------------|----|-------|----|-------------|----|----------------------|-----|----------------------------|---|
| 动作形式 Motion Pattern | 复动型 Double Action | | | | | | | | | | | |
| 工作介质 Working Medium | 空气 Air | | | | | | | | | | | |
| 使用压力范围 Operating Voltage Range | 复动型 Double Action | | 1.0~9.0 Kg/cm ² | | | | | | 单动型 Single Action | | 2.0~9.0 Kg/cm ² | - |
| 保证耐压力 Ensured proof pressure | 10.5 Kg/cm ² | | | | | | | | | | | |
| 使用温度范围 Operating Temperature Range | 0~70℃ | | | | | | | | | | | |
| 使用速度范围 Operating Speed Range | 复动型 Double Action | | 30~500 mm/s | | | | 30~350 mm/s | | 30~250 mm/s | | - | |
| 接管口径 Port Size | M5×0.8 | | | | G1/8" | | G1/4" | | G3/8" | | | |

行程 | Stroke

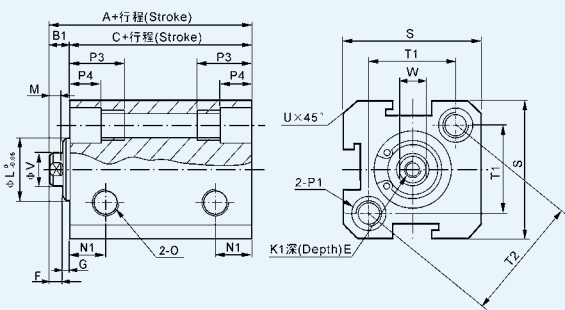
| 内 径 Bore (mm) | | 12 | 16 | 20 | 25 | 32 | 40 | 50 | 63 | 80 | 100 |
|----------------------|-----------------------|--|--|--|---|--|--|--|---|---|-----|
| 复动型 Double Action | 不附磁 Without magnet | 5~60 mm 每5mm一级 Every 5mm is grouped as one grade | 5~85 mm 每5mm一级 Every 5mm is grouped as one grade | 5~90 mm 每5mm一级 Every 5mm is grouped as one grade | 100~110 mm 每5mm一级 Every 5mm is grouped as one grade | 5~90 mm 每5mm一级 Every 5mm is grouped as one grade | 5~90 mm 每5mm一级 Every 5mm is grouped as one grade | 5~90 mm 每5mm一级 Every 5mm is grouped as one grade | 100~130 mm 每5mm一级 Every 5mm is grouped as one grade | 100~130 mm 每5mm一级 Every 5mm is grouped as one grade | |
| | 附磁型 With magnet | 5~50 mm 每5mm一级 Every 5mm is grouped as one grade | 5~75mm 每5mm一级 Every 5mm is grouped as one grade | 5~90 mm 每5mm一级 Every 5mm is grouped as one grade | 100mm | 5~90 mm 每5mm一级 Every 5mm is grouped as one grade | 5~90 mm 每5mm一级 Every 5mm is grouped as one grade | 5~90 mm 每5mm一级 Every 5mm is grouped as one grade | 100~120 mm 每5mm一级 Every 5mm is grouped as one grade | 100~120 mm 每5mm一级 Every 5mm is grouped as one grade | |
| 单动型 Single Action | 不附磁 Without magnet | 5~30 mm 每5mm一级 Every 5mm is grouped as one grade | | | | 5~30 mm 每5mm一级 Every 5mm is grouped as one grade | 5~30 mm 每5mm一级 Every 5mm is grouped as one grade | | - | | |
| | 附磁型 With magnet | 5~30 mm 每5mm一级 Every 5mm is grouped as one grade | | | | 5~30 mm 每5mm一级 Every 5mm is grouped as one grade | 5~30 mm 每5mm一级 Every 5mm is grouped as one grade | | - | | |
| 最大行程 Max. Stroke | | 60mm | 100mm | 120mm | | 130mm | | | | | |

SDA薄型气缸

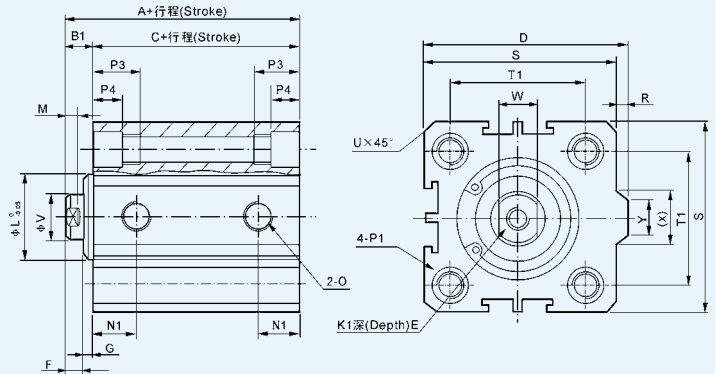
SDA Compact Cylinder

外形尺寸 | Overall Dimension

SDA12-16



SDA20-100



尺寸表 | Dimension sheet

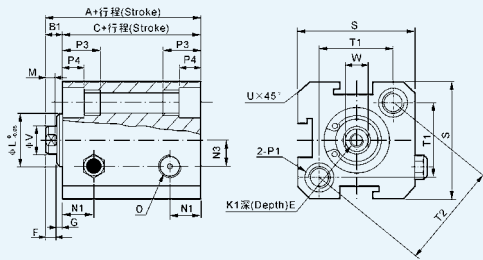
| 型式 Type | 标准型 Standard type | | | 附磁型 With magnet | | | D | E | F | G | K1 | L | M | N1 | N3 | O | |
|---------------------|---|-----|------|-----------------|-----|------|------|------|-----|-----|---------|------|------|------|-----|--------|----|
| | A | B1 | C | A | B1 | C | | | | | | | | | | | |
| 12 | 22 | 5 | 17 | 32 | 5 | 27 | - | 6 | 4 | 1 | M3×0.5 | 10.2 | 3 | 6.3 | 6 | M5×0.8 | |
| 16 | 24 | 5.5 | 18.5 | 34 | 5.5 | 28.5 | - | 6 | 4 | 1.5 | M3×0.5 | 11 | 3 | 7.3 | 6.5 | M5×0.8 | |
| 20 | 25 | 5.5 | 19.5 | 35 | 5.5 | 29.5 | 36 | 8 | 4 | 1.5 | M4×0.7 | 16 | 3 | 7.5 | - | M5×0.8 | |
| 25 | 27 | 6 | 21 | 37 | 6 | 34 | 42 | 10 | 4 | 2 | M5×0.8 | 17 | 3 | 8 | - | M5×0.8 | |
| 32 | 31.5 | 7 | 24.5 | 41.5 | 7 | 34.5 | 50 | 12 | 4 | 3 | M6×1 | 22 | 3 | 9 | - | G1/8" | |
| 40 | 33 | 7 | 26 | 43 | 7 | 36 | 58.5 | 12 | 4 | 3 | M8×1.25 | 28 | 3 | 10 | - | G1/8" | |
| 50 | 37 | 9 | 28 | 47 | 9 | 38 | 71.5 | 15 | 5 | 4 | M10×1.5 | 38 | 3 | 10.5 | - | G1/4" | |
| 63 | 41 | 9 | 32 | 51 | 9 | 42 | 84.5 | 15 | 5 | 4 | M10×1.5 | 40 | 3 | 11.8 | - | G1/4" | |
| 80 | 52 | 11 | 41 | 62 | 11 | 51 | 104 | 20 | 6 | 5 | M14×1.5 | 45 | 4 | 14.5 | - | G3/8" | |
| 100 | 63 | 12 | 51 | 73 | 12 | 61 | 124 | 20 | 7 | 5 | M18×1.5 | 55 | 4 | 20.5 | - | G3/8" | |
| 内径/符号 Bore / Symbol | P1 | | | | | | P3 | P4 | R | S | T1 | T2 | U | V | W | X | Y |
| 12 | 双边Double Side: Φ6.5 牙Cog: M5×0.8 通孔Through Hole: Φ4.2 | | | | | | 12 | 4.5 | - | 25 | 16.3 | 23 | 1.6 | 6 | 5 | - | - |
| 16 | 双边Double Side: Φ6.5 牙Cog: M5×0.8 通孔Through Hole: Φ4.2 | | | | | | 12 | 4.5 | - | 29 | 19.8 | 28 | 1.6 | 6 | 5 | - | - |
| 20 | 双边Double Side: Φ6.5 牙Cog: M5×0.8 通孔Through Hole: Φ4.2 | | | | | | 14 | 4.5 | 2 | 34 | 24 | - | 2.1 | 8 | 6 | 11.3 | 10 |
| 25 | 双边Double Side: Φ8.2 牙Cog: M6×1.0 通孔Through Hole: Φ4.6 | | | | | | 15 | 5.5 | 2 | 40 | 28 | - | 3.1 | 10 | 8 | 12 | 10 |
| 32 | 双边Double Side: Φ8.2 牙Cog: M6×1.0 通孔Through Hole: Φ4.6 | | | | | | 16 | 5.5 | 6 | 44 | 34 | - | 2.15 | 12 | 10 | 18.3 | 15 |
| 40 | 双边Double Side: Φ10 牙Cog: M8×1.25 通孔Through Hole: Φ6.5 | | | | | | 20 | 7.5 | 6.5 | 52 | 40 | - | 2.25 | 16 | 14 | 21.3 | 16 |
| 50 | 双边Double Side: Φ11 牙Cog: M8×1.25 通孔Through Hole: Φ6.5 | | | | | | 25 | 8.5 | 9.5 | 62 | 48 | - | 4.15 | 20 | 17 | 30 | 20 |
| 63 | 双边Double Side: Φ11 牙Cog: M8×1.25 通孔Through Hole: Φ6.5 | | | | | | 25 | 8.5 | 9.5 | 75 | 60 | - | 3.15 | 20 | 17 | 28.7 | 20 |
| 80 | 双边Double Side: Φ14 牙Cog: M12×1.75 通孔Through Hole: Φ9.2 | | | | | | 25 | 10.5 | 10 | 94 | 74 | - | 3.65 | 25 | 22 | 36 | 26 |
| 100 | 双边Double Side: Φ17.5 牙Cog: M12×1.75 通孔Through Hole: Φ11.3 | | | | | | 30 | 13 | 10 | 114 | 90 | - | 3.65 | 32 | 27 | 35 | 26 |

SDA薄型气缸

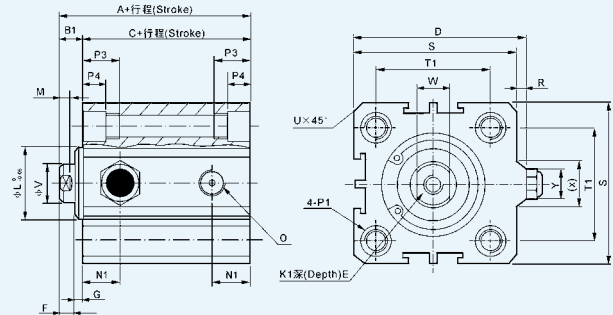
SDA Compact Cylinder

外形尺寸 | Overall Dimension

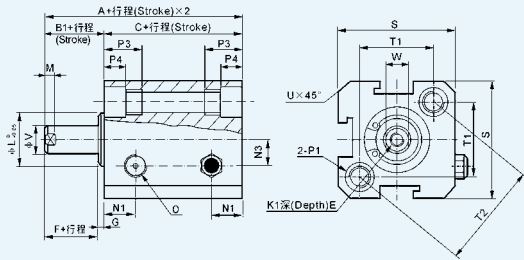
SSA12-16



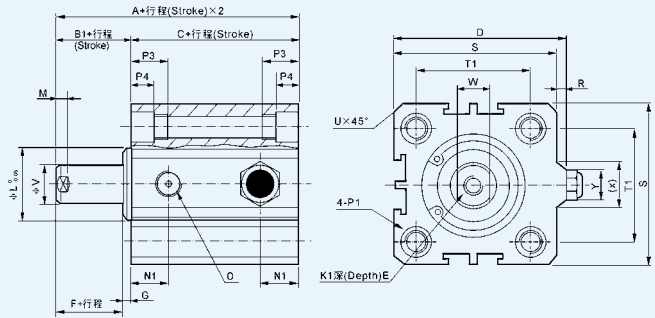
SSA20-40



STA12-16



STA20-40



尺寸表 | Dimension Sheet

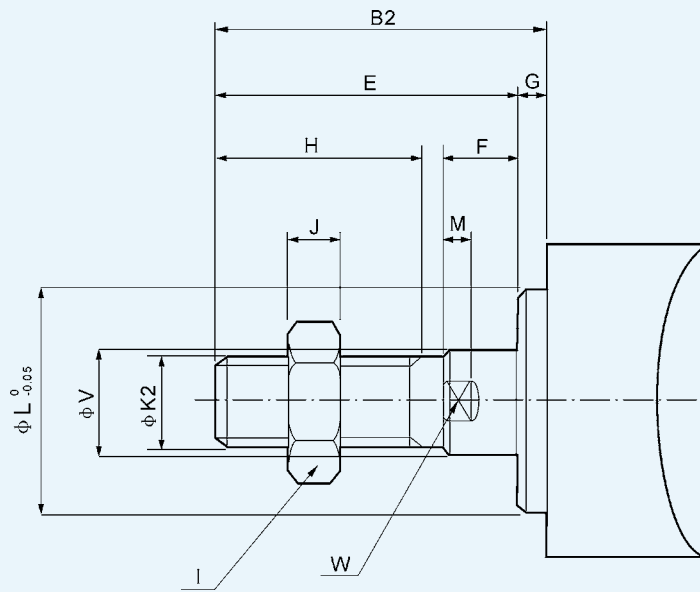
| 型式 Type | 标准型 Standard type | | | 附磁型 With magnet | | | D | E | F | G | K1 | L | M | N1 | N3 | | | | |
|---------------------|-------------------|------|---|-----------------|------|------|------|-----|------|------|------|----|------|-----|---------|------|-----|------|-----|
| | A | | B1 | C | | A | | | | | | | | | | B1 | C | | |
| | ≤10 | >10 | | ≤10 | >10 | ≤10 | | | | | | | | | | | >10 | ≤10 | >10 |
| 12 | 32 | 42 | 5 | 27 | 37 | 42 | 52 | 5 | 37 | 47 | - | 6 | 4 | 1 | M3×0.5 | 10.2 | 3 | 6.3 | 6 |
| 16 | 34 | 44 | 5.5 | 28.5 | 38.5 | 44 | 54 | 5.5 | 38.5 | 48.5 | - | 6 | 4 | 1.5 | M3×0.5 | 11 | 3 | 7.3 | 6.5 |
| 20 | 35 | 45 | 5.5 | 29.5 | 39.5 | 45 | 55 | 5.5 | 39.5 | 49.5 | 36 | 8 | 4 | 1.5 | M4×0.7 | 16 | 3 | 7.5 | - |
| 25 | 37 | 47 | 6 | 34 | 41 | 47 | 57 | 6 | 41 | 51 | 42 | 10 | 4 | 2 | M5×0.8 | 17 | 3 | 8 | - |
| 32 | 41.5 | 51.5 | 7 | 34.5 | 44.5 | 51.5 | 61.5 | 7 | 44.5 | 54.5 | 50 | 12 | 4 | 3 | M6×1 | 22 | 3 | 9 | - |
| 40 | 43 | 53 | 7 | 36 | 46 | 53 | 63 | 7 | 46 | 56 | 58.5 | 12 | 4 | 3 | M8×1.25 | 28 | 3 | 10 | - |
| 内径/符号 Bore / Symbol | O | | P1 | | | | | | P3 | P4 | R | S | T1 | T2 | U | V | W | X | Y |
| 12 | M5×0.8 | | 双边Double Side: Φ6.5 牙Cog: M5×0.8 通孔Through Hole: Φ4.2 | | | | | | 12 | 4.5 | - | 25 | 16.2 | 23 | 1.6 | 6 | 5 | - | - |
| 16 | M5×0.8 | | 双边Double Side: Φ6.5 牙Cog: M5×0.8 通孔Through Hole: Φ4.2 | | | | | | 12 | 4.5 | - | 29 | 19.8 | 28 | 1.6 | 6 | 5 | - | - |
| 20 | M5×0.8 | | 双边Double Side: Φ6.5 牙Cog: M5×0.8 通孔Through Hole: Φ4.2 | | | | | | 14 | 4.5 | 2 | 34 | 24 | - | 2.1 | 8 | 6 | 11.3 | 10 |
| 25 | M5×0.8 | | 双边Double Side: Φ8.2 牙Cog: M6×1.0 通孔Through Hole: Φ4.6 | | | | | | 15 | 5.5 | 2 | 40 | 28 | - | 3.1 | 10 | 8 | 12 | 10 |
| 32 | G1/8" | | 双边Double Side: Φ8.2 牙Cog: M6×1.0 通孔Through Hole: Φ4.6 | | | | | | 16 | 5.5 | 6 | 44 | 34 | - | 2.15 | 12 | 10 | 18.3 | 15 |
| 40 | G1/8" | | 双边Double Side: Φ10 牙Cog: M8×1.25 通孔Through Hole: Φ6.5 | | | | | | 20 | 7.5 | 6.5 | 52 | 40 | - | 2.25 | 16 | 14 | 21.3 | 16 |

SDA薄型气缸

SDA Compact Cylinder

外牙尺寸 | Cog Dimension

SDA,SSA,STA



尺寸表 | Dimension Sheet

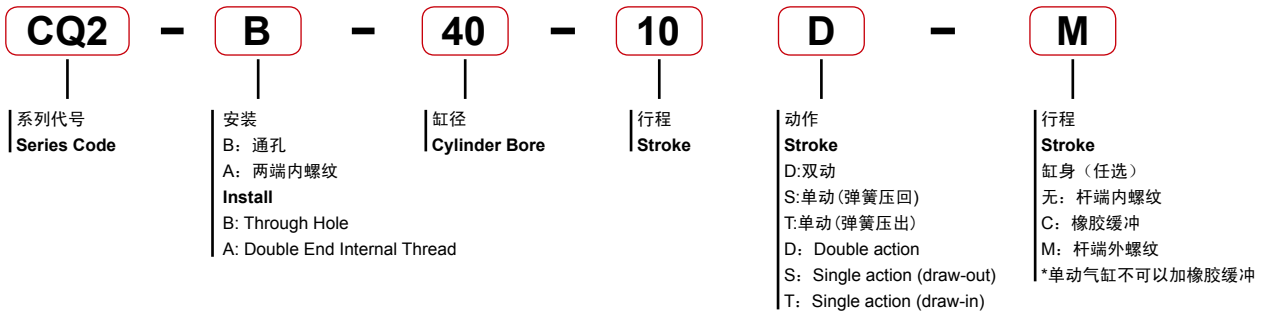
| 内径/符号 Bore / Symbol | B2 | E | F | G | H | I | J | K2 | L | M | V | W |
|------------------------|------|----|---|-----|----|----|----|----------|------|---|----|----|
| 12 | 17 | 16 | 4 | 1 | 10 | 8 | 4 | M5×0.8 | 10.2 | 3 | 6 | 5 |
| 16 | 17.5 | 16 | 4 | 1.5 | 10 | 8 | 4 | M5×0.8 | 11 | 3 | 6 | 5 |
| 20 | 20.5 | 19 | 4 | 1.5 | 13 | 10 | 5 | M6×1.0 | 16 | 3 | 8 | 6 |
| 25 | 23 | 21 | 4 | 2 | 15 | 12 | 6 | M8×1.25 | 17 | 3 | 10 | 8 |
| 32 | 25 | 22 | 4 | 3 | 15 | 17 | 6 | M10×1.25 | 22 | 3 | 12 | 10 |
| 40 | 35 | 32 | 4 | 3 | 25 | 19 | 8 | M14×1.5 | 28 | 3 | 16 | 14 |
| 50 | 37 | 33 | 5 | 4 | 25 | 27 | 11 | M18×1.5 | 38 | 3 | 20 | 17 |
| 63 | 37 | 33 | 5 | 4 | 25 | 27 | 11 | M18×1.5 | 40 | 3 | 20 | 17 |
| 80 | 44 | 39 | 6 | 5 | 30 | 32 | 13 | M22×1.5 | 45 | 4 | 25 | 22 |
| 100 | 50 | 45 | 7 | 5 | 35 | 36 | 13 | M26×1.5 | 55 | 4 | 32 | 27 |

CQ2系列薄型气缸

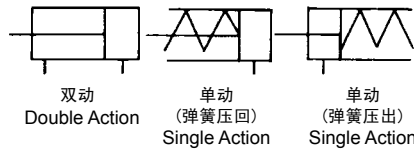
CQ2 Series Compact Cylinder



订购码 | Ordering Code



图形符号 | Graphic Symbol



规格 | Specification

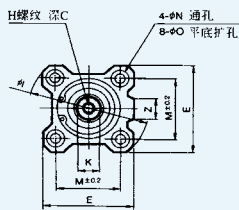
| 内 径 Bore (mm) | 12 | 16 | 20 | 25 | 32 | 40 | 50 | 63 | 80 | 100 |
|---|--|----|----|----|-----|----|-----|----|-----|-----|
| 工作介质 Working Medium | 空气 Air | | | | | | | | | |
| 动作型式 Motion Pattern | 双动 Double Action 单动 Single Action (弹簧压回/弹簧压出) | | | | | | | | | |
| 保证耐压力 Ensured proof pressure | 1.5MPa | | | | | | | | | |
| 最高使用压力 Max. Operating Pressure | 0.99MPa | | | | | | | | | |
| 环境和流体温度 Condition and Medium Temperature | 5~60℃ | | | | | | | | | |
| 杆端螺纹 Fixed Type | 内螺纹 (标准) 外螺纹 (可选) Internal Thread (Standard) Male Screw (Take Whichever) | | | | | | | | | |
| 缓冲 Buffer | 无 Non | | | | | | | | | |
| 行程公差 Stroke Allowable Error | +1.0 0 | | | | | | | | | |
| *润滑 Lubricate | 不需要 Non | | | | | | | | | |
| 安装 Install | 通孔 (标准), 两端内螺纹 (可选) Through Hole (Standard), Double End Internal Screw (Take Whichever) | | | | | | | | | |
| 接管口径 RC (PT) Port Size | M5×0.8 | | | | 1/8 | | 1/4 | | 3/8 | |

CQ2系列薄型气缸

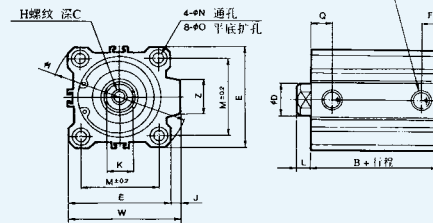
CQ2 Series Compact Cylinder

外形尺寸 | Overall Dimension

CQ2BΦ12~Φ25



CQ2BΦ32~Φ100



双动气缸尺寸表 | Double Action Cylinder Overall Dimension

| 型号 Model | *行程范围 Stroke Range mm | B | ΦD | E | F | H | C | ΦI | J | K | L | M | ΦN | ΦO | P | Q | W | Z |
|------------|-----------------------|------|----|-----|------|---------|----|-----|-----|----|-----|------|-----|-----------|--------|------|-------|----|
| CQ2B12-□D | 5~30 | 17 | 6 | 25 | 5 | M3×0.5 | 6 | 32 | - | 5 | 3.5 | 15.5 | 3.5 | 6.5深3.5 | M5×0.8 | 7.5 | - | - |
| CQ2B16-□D | 5~30 | 18.5 | 8 | 29 | 5.5 | M4×0.7 | 8 | 38 | - | 6 | 3.5 | 20 | 3.5 | 6.5深3.5 | M5×0.8 | 8 | - | 10 |
| CQ2B20-□D | 5~50 | 19.5 | 10 | 36 | 5.5 | M5×0.8 | 7 | 47 | - | 8 | 4.5 | 25.5 | 5.5 | 9深7 | M5×0.8 | 9 | - | 10 |
| CQ2B25-□D | 5~50 | 22.5 | 12 | 40 | 5.5 | M6×1.0 | 12 | 52 | - | 10 | 5 | 28 | 5.5 | 9深7 | M5×0.8 | 11 | - | 10 |
| CQ2B32-□D | 5 | 23 | 16 | 45 | 5.5 | M8×1.25 | 13 | 60 | 4.5 | 14 | 7 | 34 | 5.5 | 9深7 | M5×0.8 | 11.5 | 49.5 | 18 |
| | 10~50 | | | | 7.5 | | | | | | | | | | | | | |
| CQ2B40-□D | 5~50 | 29.5 | 16 | 52 | 8 | M8×1.25 | 13 | 69 | 5 | 14 | 7 | 40 | 5.5 | 9深7 | 1/8 | 11 | 57 | 18 |
| CQ2B50-□D | 10~50 | 30.5 | 20 | 64 | 10.5 | M10×1.5 | 15 | 86 | 7 | 17 | 8 | 50 | 6.6 | 11深8 | 1/4 | 10.5 | 71 | 22 |
| CQ2B63-□D | 10~50 | 36 | 20 | 77 | 10.5 | M10×1.5 | 15 | 103 | 7 | 17 | 8 | 60 | 9 | 14深10.5 | 1/4 | 15 | 84 | 22 |
| CQ2B80-□D | 10~50 | 43.5 | 25 | 98 | 12.5 | M16×2.0 | 21 | 132 | 6 | 22 | 10 | 77 | 11 | 17.5深13.5 | 3/8 | 16 | 104 | 26 |
| CQ2B100-□D | 10~50 | 53 | 32 | 117 | 13 | M20×2.5 | 27 | 156 | 6.5 | 27 | 12 | 94 | 11 | 17.5深13.5 | 3/8 | 23 | 123.5 | 26 |

**长行程 | Length Stroke

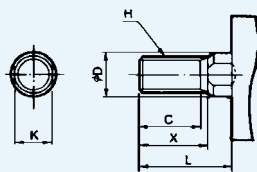
| 缸径/符号 Bore / Symbol | 行程 Stroke (mm) | B | F | P | Q |
|---------------------|----------------|------|------|-----|------|
| 32 | 75,100 | 33 | 7.5 | 1/8 | 10.5 |
| 40 | 75,100 | 39.5 | 8 | 1/8 | 11 |
| 50 | 75,100 | 40.5 | 10.5 | 1/4 | 10.5 |
| 63 | 75,100 | 46 | 10.5 | 1/4 | 15 |
| 80 | 75,100 | 53.5 | 12.5 | 3/8 | 16 |
| 100 | 75,100 | 63 | 13 | 3/8 | 23 |

*标准行程是每50mm相隔

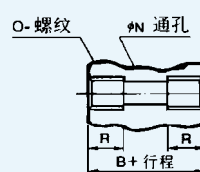
**行程由55mm至100mm之间的中间行程 (55,60,65,70,80,85,90,95), 加5,10,15或20mm厚的垫板

***除非有特别指明, 通孔型气缸尺寸和两端内螺纹气缸尺寸是一样

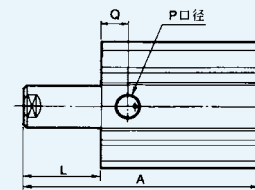
活塞杆外螺纹



两端内螺纹安装型/CQ2A



单动/弹簧压出Φ12~Φ50



| 缸径 Bore | C | X | ΦD | H | L | K |
|---------|------|------|----|----------|------|----|
| 12 | 9 | 10.5 | 6 | M5×0.8 | 14 | 5 |
| 16 | 10 | 12 | 8 | M6×1.0 | 15.5 | 6 |
| 20 | 12 | 14 | 10 | M8×1.25 | 18.5 | 8 |
| 25 | 15 | 17.5 | 12 | M10×1.25 | 22.5 | 10 |
| 32 | 20.5 | 23.5 | 16 | M14×1.5 | 28.5 | 14 |
| 40 | 20.5 | 23.5 | 16 | M14×1.5 | 28.5 | 14 |
| 50 | 26 | 28.5 | 20 | M18×1.5 | 33.5 | 17 |
| 63 | 26 | 28.5 | 20 | M18×1.5 | 33.5 | 17 |
| 80 | 32.5 | 35.5 | 25 | M22×1.5 | 43.5 | 22 |
| 100 | 32.5 | 35.5 | 30 | M26×1.5 | 43.5 | 27 |

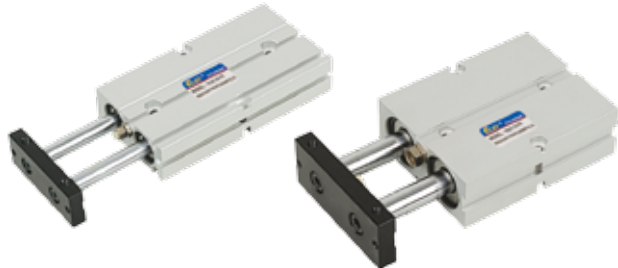
| 缸径 Bore | R | O |
|---------|----|----------|
| 12 | 7 | M4×0.7 |
| 16 | 7 | M4×0.7 |
| 20 | 10 | M6×1.0 |
| 25 | 10 | M6×1.0 |
| 32 | 10 | M6×1.0 |
| 40 | 10 | M6×1.0 |
| 50 | 14 | M8×1.25 |
| 63 | 18 | M10×1.5 |
| 80 | 22 | M12×1.75 |
| 100 | 22 | M12×1.75 |

| 缸径 Bore | A | | | L | | |
|---------|------|------|------|-----|------|------|
| | 5st | 10st | 20st | 5st | 10st | 20st |
| 12 | 30.5 | 40.5 | - | 8.5 | 13.5 | - |
| 16 | 32 | 42 | - | 8.5 | 13.5 | - |
| 20 | 34 | 44 | - | 9.5 | 14.5 | - |
| 25 | 37.5 | 47.5 | - | 10 | 15 | - |
| 32 | 40 | 50 | - | 12 | 17 | - |
| 40 | 46.5 | 56.5 | - | 12 | 17 | - |
| 50 | - | 58.5 | 78.5 | - | 18 | 28 |

**除非有特别指明, 通孔型气缸尺寸和两端内螺纹气缸尺寸是一样的。
注: st=行程

TN系列气缸

TN Series Cylinder



规格 | Specification

| | | | | | |
|------------------------------------|-----------------------|-------|----|----|-----|
| 内径 Bore(mm) | 10 | 16 | 20 | 25 | 32 |
| 工作介质 Working Medium | 空气 (经40 μm以上滤网过滤) Air | | | | |
| 动作形式 Motion Pattern | 复动 Double Action | | | | |
| 使用压力范围 Operating Pressure Range | 0.1~1.0MPa | | | | |
| 保证耐压力 N. Proof Pressure | 1.35MPa | | | | |
| 使用温度范围 Operating Temperature Range | -20~70℃ | | | | |
| 使用速度范围 Operating Speed Range | 30~500 mm/s | | | | |
| 调整行程 Adjust Stroke | -10~0 mm | | | | |
| 行程公差 Stroke Tolerance | +1.0 0 | | | | |
| 不回转精度 Don't Gyre The Precision | ±0.4° | ±0.3° | | | |
| 接管口径 Joint Pipe Bore | M5×0.8 | | | | 1/8 |

订购码 | Ordering Code

TN **20** **X** **50** - **S**

系列代号
TN: 双轴复动型
Series Code
TN: Double-shaft
Double Action

缸径
Cylinder Bore

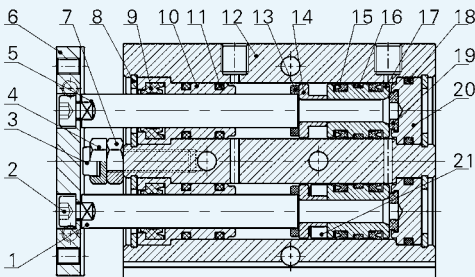
行程
Stroke

磁石代号
空白: 不附磁
S: 附磁石
Magnet Code
Blank: Without Magnet
S: With Magnet

行程 | Stroke

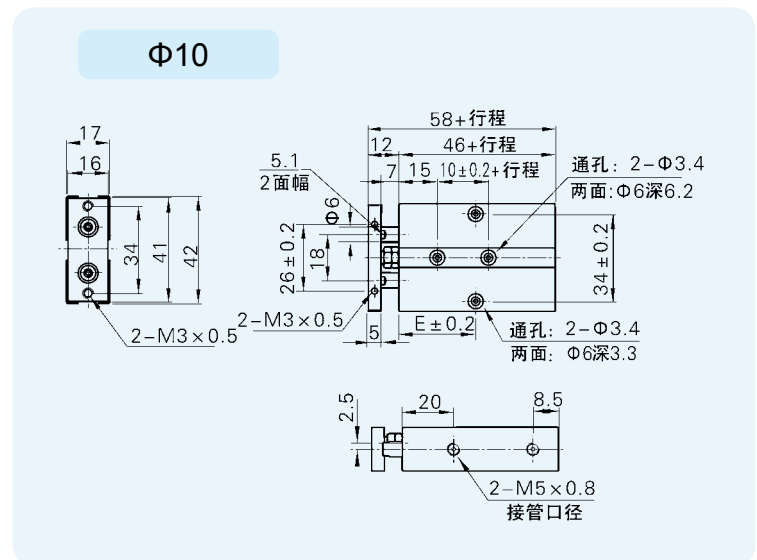
| 内径 Bore (mm) | 标准行程 Standard Stroke | 最大行程 Max. Stroke |
|--------------|--|------------------|
| 10 | 10 20 30 40 50 60 70 80 90 100 | 100 |
| 16 | 10 20 30 40 50 60 70 80 90 100 125 150 175 200 | 200 |
| 20 | 10 20 30 40 50 60 70 80 90 100 125 150 175 200 | 200 |
| 25 | 10 20 30 40 50 60 70 80 90 100 125 150 175 200 | 200 |
| 32 | 10 20 30 40 50 60 70 80 90 100 125 150 175 200 | 200 |

结构图 | Structure Drawing



| 序号 NO. | 名称 Name | 材质 Material | 序号 NO. | 名称 Name | 材质 Material |
|--------|---------|----------------|--------|---------|-------------|
| 1 | 活塞杆 B | φ32 S45C镀硬铬研磨棒 | 12 | 本体 | 铝合金 |
| | 其它 | SUS304镀硬铬研磨棒 | 13 | 防撞垫 | TPU |
| 2 | 内六角螺丝 | 中碳钢 | 14 | 磁铁座 | φ10 SUS303 |
| 3 | 防撞垫 | POM | | 其它 | 铝合金 |
| 4 | 螺丝 | 中碳钢 | 15 | 活塞 O 形圈 | NBR |
| 5 | 活塞杆 A | S45C镀硬铬研磨棒 | 16 | 耐磨垫 | 耐磨材料 |
| 6 | 气缸固定板 | 快削钢 | 17 | 活塞 | φ10 SUS303 |
| 7 | 螺帽 | 中碳钢 | | 其它 | 铝合金 |
| 8 | C 形扣环 | 弹簧钢 | 18 | 后盖 O 形圈 | NBR |
| 9 | 前盖 O 形圈 | NBR | 19 | 防撞垫 | TPU |
| 10 | 前盖 | 铝合金 | 20 | 后盖 | 铝合金 |
| 11 | O 形环 | NBR | 21 | 磁铁 | 稀土类 |

外形尺寸 | Overall Dimension



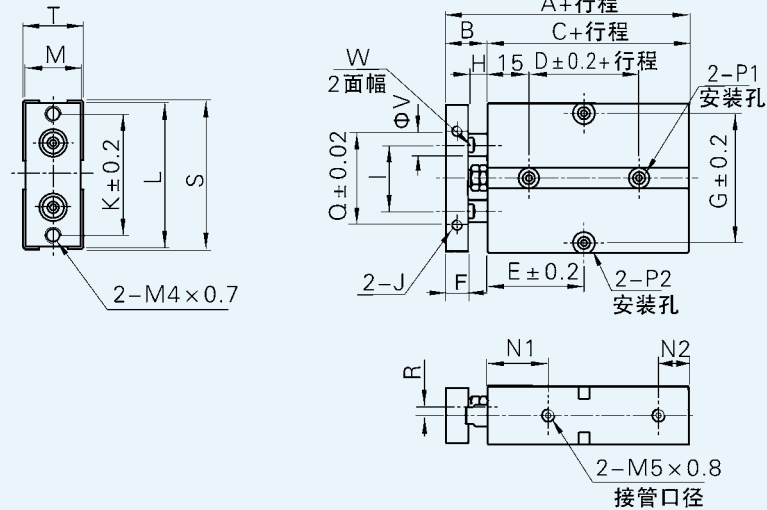
| 符号 / 行程 Symbol / Stroke | 10 | 20 | 30 | 40 | 50 | 60 | 70 | 80 | 90 | 100 |
|-------------------------|----|----|----|----|----|----|----|----|----|-----|
| E | 30 | 30 | 35 | 40 | 45 | 50 | 55 | 60 | 65 | 70 |

TN系列气缸

TN Series Cylinder

外形尺寸 | Overall Dimension

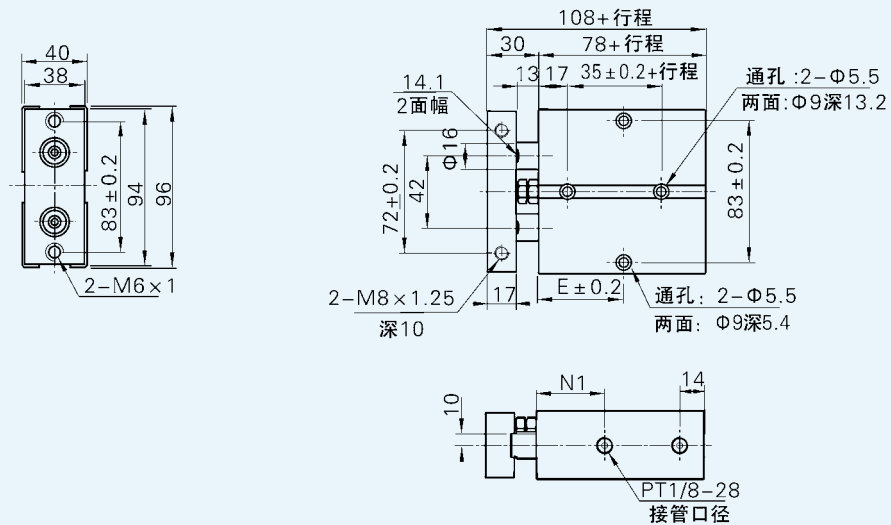
Φ16~Φ25



| 缸径/符号 Bore/Symbol | A | B | C | D | E | | | | | | | | | | | | | | | | F | G | H | I | J |
|----------------------|----|----|----|----|----|----|----|----|----|----|----|----|----|-----|------|-----|-------|-----|----|----|----|----|-----------------|---|---|
| | | | | | 10 | 20 | 30 | 40 | 50 | 60 | 70 | 80 | 90 | 100 | 125 | 150 | 175 | 200 | | | | | | | |
| 16 | 68 | 15 | 53 | 20 | 30 | 35 | 40 | 45 | 50 | 55 | 60 | 65 | 70 | 75 | 87.5 | 100 | 112.5 | 125 | 8 | 47 | 9 | 24 | M4×0.7 深 Deep 5 | | |
| 20 | 78 | 20 | 58 | 20 | 35 | 35 | 40 | 45 | 50 | 55 | 60 | 65 | 70 | 75 | 87.5 | 100 | 112.5 | 125 | 10 | 55 | 10 | 28 | M4×0.7 深 Deep 5 | | |
| 25 | 81 | 19 | 62 | 30 | 40 | 40 | 45 | 50 | 55 | 60 | 65 | 70 | 75 | 80 | 92.5 | 105 | 117.5 | 130 | 10 | 66 | 9 | 34 | M4×0.8 深 Deep 6 | | |

| 缸径/符号 Bore/Symbol | L | M | N1 | N2 | P1 | P2 | Q | R | S | T | V | W |
|----------------------|----|----|----|----|---|---|----|-----|----|----|----|------|
| 16 | 53 | 20 | 22 | 11 | 双边Double side Φ7.5 深deep 7.2mm, 通孔Through Hole:Φ4.5 | 双边Double side Φ8 深deep 4.5mm, 通孔Through Hole:Φ4.5 | 34 | 3 | 54 | 21 | 8 | 6.1 |
| 20 | 61 | 24 | 25 | 12 | | | 44 | 3.5 | 62 | 25 | 10 | 8.1 |
| 25 | 72 | 29 | 27 | 12 | | | 56 | 6 | 73 | 30 | 12 | 10.1 |

Φ32



| 符号 Symbol / 行程 Stroke | 10 | 20 | 30 | 40 | 50 | 60 | 70 | 80 | 90 | 100 | 125 | 150 | 175 | 200 |
|-----------------------|----|----|----|----|----|----|----|----|----|-----|-------|-----|-------|-----|
| E | 45 | 50 | 55 | 60 | 65 | 70 | 75 | 80 | 85 | 90 | 102.5 | 115 | 127.5 | 140 |
| N1 | 35 | 40 | | | | | | | | | | | | |

CXS系列双联气缸/基本型 (Ø6~Ø32)

CXS Series Twin Rod Cylinder/Basic Type (Ø6~Ø32)

双活塞杆双倍出力提供了高度的抗弯曲和扭转刚性，保证了气缸的使用寿命和卓越的导向性能。
Double rod with double force for higher anti-bending and anti-twisted strength ensured durable life and perfect directional characteristic.



订购码 | Ordering Code

CXF M - 20 - 100 - MT

| | | | |
|--|--------------------------------------|---------------------|---|
| 轴承的种类 M: 滑动轴承 L: 球轴承 Type Bearing M: Slidable bearing L: Ball bearing | 缸径 Bore 6 20 10 25 15 32 | 行程 Stroke 100 | 磁性开关的型号 * 标准线长1M 特殊另订购 Sensor * Standard wire is 1 meter, please order for other length |
|--|--------------------------------------|---------------------|---|

行程/磁性开关型号表 Stroke/Sensor Switch Model

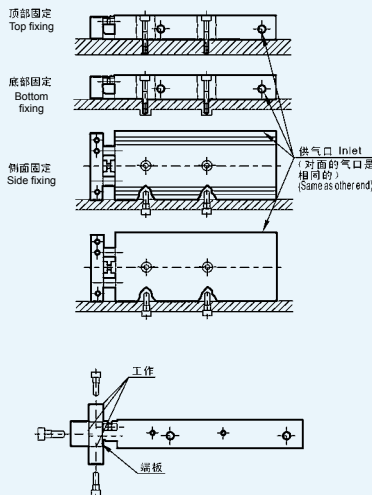
| 缸径 Bore (mm) | 标准行程 Standard Stroke | *磁性开关型号 (轨道安装) *Sensor Switch Model (Install by orbit type) |
|-----------------|---|--|
| 6 | 10, 20, 30, 40, 50 | |
| 10 | 10, 15, 20, 25, 30, 40, 45, 50, 60, 70, 75, | D-Z73L D-Z76L |
| 15 | 10, 15, 20, 25, 30, 40, 45, 50, 60, 70, 75, 80, 90, 100 | D-Z80L |
| 20 | | D-Y59AL |
| 25 | | D-Y59BL |
| 32 | | |

规格 | Specification

| 缸径 Bore (mm) | 6 | 10 | 15 | 20 | 25 | 32 |
|--|---|-------------|------------|------------|----|-----|
| 使用流体/Operation Fluid | 空气 Air | | | | | |
| 动作方式/Operation | 双作用 Double Acting | | | | | |
| 保证耐压力/Proof Pressure | 1.05MPa | | | | | |
| 最高使用压力/Max. Operation Pressure | 0.7MPa | | | | | |
| 环境和流体温度/Ambient and fluid temp. | 5~60°C | | | | | |
| 缓冲/Buffer | 两端橡胶缓冲 Both end Rubber Gasket Buffer | | | | | |
| 使用活塞速度/Piston Speed | 30~300 mm/s | 30~800 mm/s | 30~700mm/s | 30~600mm/s | | |
| *给油/Lubrication | 不需要 Non-lub | | | | | |
| 行程调整范围/Adjustable stroke range | 缩回行程 Returned Stroke 0~5mm | | | | | |
| 轴承/Bearing | 滑动轴承/球轴承 Slidable bearing/Ball Bearing | | | | | |
| 活塞杆不回转精度 Non-rotating rod precision | 滑动轴承 Slidable bearing | | ±0.1° | | | |
| | 球轴承 Ball Bearing | | ±0.1° | | | |
| 接管口径/Port Size (Rc) | M5x0.8 | | | | | 1/8 |
| 结构/Structure | 双气缸 (2倍出力) Double Cylinder (Double force) | | | | | |

外形尺寸 | Overall Dimension

缸体可以4个方向用螺钉固定, 供气口位置可选择
Cylinder body can be fixed, position port can be choose

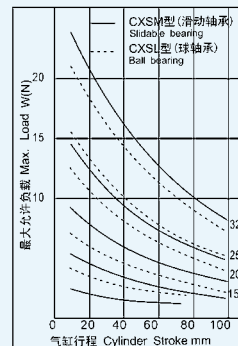


可在端板的3个平面安装工作
3 Panels installation allowed

适合缸径Ø6 | Suitable Bore Size Ø6

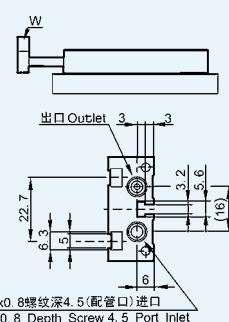
| 型号 Model | 行程 Stroke | | | | |
|----------|-----------|------|------|------|------|
| | 10 | 20 | 30 | 40 | 50 |
| CXSM6 | 0.8 | 0.66 | 0.54 | 0.46 | 0.40 |
| CXLM6 | 1.08 | 0.88 | 0.69 | 0.59 | 0.49 |

适合缸径: Ø10~Ø32mm



最大允许负载

下图所示的安装形式, 气缸所受最大允许负载是低于上图所列。

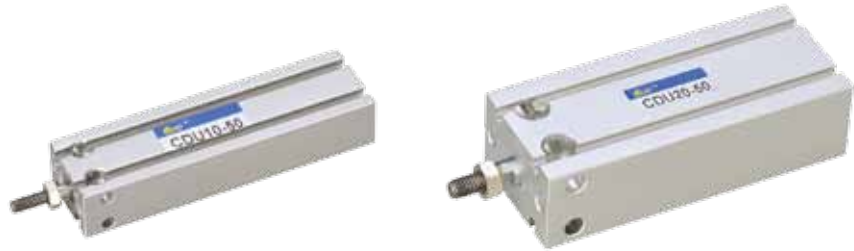
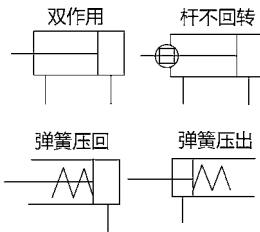


2-M5x0.8 螺钉深4.5 (配管口) 进口
2-M5x0.8 Depth Screw 4.5 Port Inlet

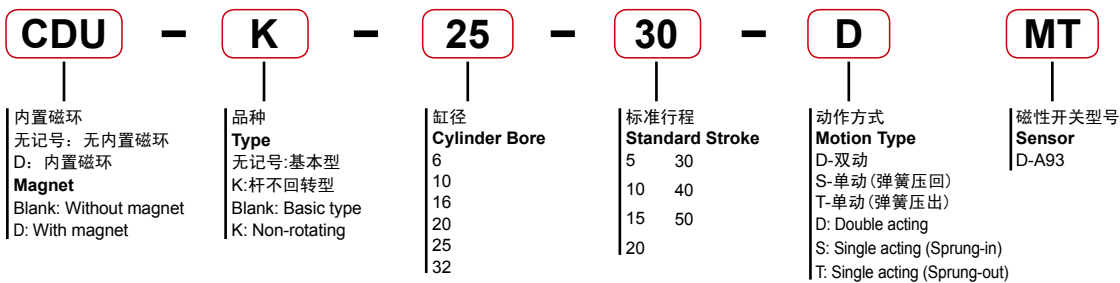
CDU系列自由安装气缸 (Ø6~Ø32)

CDU Series Free Installation Cylinder (Ø6~Ø32)

图形符号



订购码 | Ordering Code



行程/磁性开关型号表 | Stroke

| 缸径 Bore (mm) | 标准行程 Standard Stroke | | 长行程(双作用) Stroke Length(Double Acting) | *磁性开关型号(直接安装) *Sensor Switch Model(Direct mounting) |
|-----------------|----------------------------------|-------------------|--|--|
| | 双作用 Double Acting | 单作用 Single Acting | | |
| 6 | 5, 10, 15, 20, 25, 30 | 5, 10, 15, | 40, 50, 60 | D-A90L D-A93L D-A96L D-A80L D-F9NL D-F98L |
| 10 | | | | |
| 16 | | | | |
| 20 | 5, 10, 15, 20, 25, 30, 40, 50 | | 60, 70, 80, 90, 100 | |
| 25 | | | | |
| 32 | | | | |

规格 | Specification

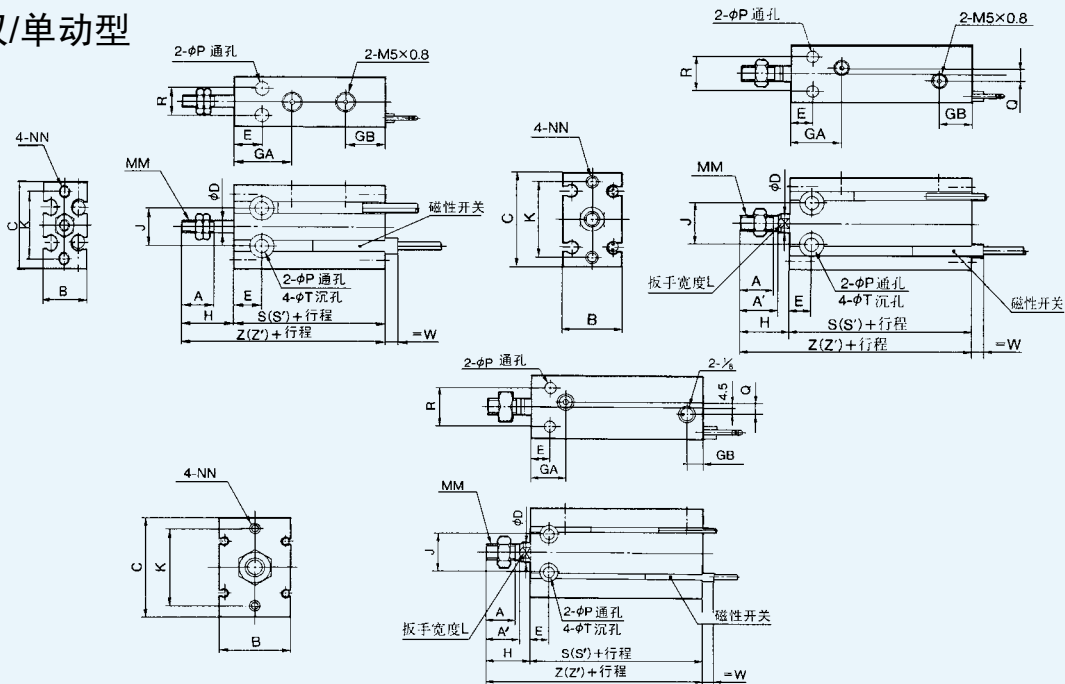
| 缸径 Bore (mm) | 6 | 10 | 16 | 20 | 25 | 32 |
|-------------------------------------|---|----|----|--------|----|-----|
| 使用流体 Operating Fluid | 空气 Air | | | | | |
| 动作方式 Operation | D: 双作用 S: 单作用(弹簧压回) T: 单作用(弹簧压出) D: Double Acting, S: Single Acting (Sprung-in), T: Single Acting (Sprung-out) | | | | | |
| 最高使用压力 Max. Operating Pressure | 0.7MPa | | | | | |
| 保证耐压力 Proof Pressure | 1.0MPa | | | | | |
| 环境和流体温度 Ambient and fluid temp | 5~60℃ | | | | | |
| 缓冲 Cushion | 两端橡胶缓冲 Both end with Rubber Gasket Cushioning | | | | | |
| 给油 Lubricant | 不需要 Non-lub | | | | | |
| 安装形式 Installation Type | 自由(多面安装) Free (Multi- installation) | | | | | |
| 活塞杆不回转精度 Precision non-rotating rod | ± 0.8° | | | ± 0.5° | | |
| 接管口径 Port Size | M5x0.8 | | | | | 1/8 |

CDU系列自由安装气缸 (Ø6~Ø32)

CDU Series Free Installation Cylinder (Ø6~Ø32)

外形尺寸 | Overall Dimension

C□U双/单动型



| 型号/Model | A | A' | B | C | ØD | E | GA | GB | J | K | L | MM | NN | ØP | Q | R | ØT |
|----------|------|------|----|----|----|----|------|------|----|----|----|----------|-----------------|-----|------|----|----------------|
| C□U6 | 7 | - | 13 | 22 | 3 | 7 | 15 | 10 | 10 | 17 | - | M3x0.5 | M3x0.5深 Depth 5 | 3.2 | - | 7 | 6深 Depth 4.8 |
| C□U10 | 10 | - | 15 | 24 | 4 | 7 | 16.5 | 10 | 11 | 18 | - | M4x0.7 | M3x0.5深 Depth 5 | 3.2 | - | 9 | 6深 Depth 5 |
| C□U16 | 11 | 12.5 | 20 | 32 | 6 | 7 | 16.5 | 11.5 | 14 | 25 | 5 | M5x0.8 | M4x0.7深 Depth 6 | 4.5 | 4 | 12 | 7.6深 Depth 6.5 |
| C□U20 | 12 | 14 | 26 | 40 | 8 | 9 | 19 | 12.5 | 16 | 30 | 6 | M6x1.0 | M5x0.8深 Depth 8 | 5.5 | 9 | 16 | 9.3深 Depth 8 |
| C□U25 | 15.5 | 18 | 32 | 50 | 10 | 10 | 21.5 | 13 | 20 | 38 | 8 | M8x1.25 | M5x0.8深 Depth 8 | 5.5 | 9 | 20 | 9.3深 Depth 9 |
| C□U32 | 19.5 | 22 | 40 | 62 | 12 | 11 | 23 | 13 | 24 | 48 | 10 | M10x1.25 | M6x1.0深 Depth 9 | 6.6 | 13.5 | 24 | 11深 Depth 11.5 |

双作用/Double Action

| 型号/Model | H | 基本型/Basic Type | | | 内置磁环型/With magnet | | |
|----------|----|----------------|----|-----|-------------------|----|--|
| | | S | Z | W | S' | Z' | |
| C□U6-□D | 13 | 33 | 46 | 2.5 | 33 | 46 | |
| C□U10-□D | 16 | 36 | 52 | 1 | 36 | 52 | |
| C□U16-□D | 16 | 30 | 46 | 0 | 40 | 56 | |
| C□U20-□D | 19 | 36 | 55 | 1 | 46 | 65 | |
| C□U25-□D | 23 | 40 | 63 | -1 | 50 | 73 | |
| C□U32-□D | 27 | 42 | 69 | -4 | 52 | 79 | |

单作用 (弹簧压回)/Single Action (Drawing-in)

| 型号/Model | H | 基本型/Basic Type | | | | | | W | 内置磁环型/With magnet | | | | | |
|----------|----|----------------|------|------|-----|------|------|-----|-------------------|------|------|-----|------|------|
| | | S | | | Z | | | | S' | | | Z' | | |
| | | 5st | 10st | 15st | 5st | 10st | 15st | | 5st | 10st | 15st | 5st | 10st | 15st |
| C□U6-□D | 13 | 38 | 43 | 48 | 51 | 56 | 61 | 2.5 | 38 | 43 | 48 | 51 | 56 | 61 |
| C□U10-□D | 16 | 41 | 46 | 56 | 57 | 62 | 72 | 1 | 41 | 46 | 56 | 57 | 62 | 72 |
| C□U16-□D | 16 | 35 | 40 | 50 | 51 | 56 | 66 | 0 | 45 | 50 | 60 | 61 | 66 | 76 |
| C□U20-□D | 19 | 41 | 46 | 56 | 60 | 65 | 75 | 1 | 51 | 56 | 66 | 70 | 75 | 85 |
| C□U25-□D | 23 | 45 | 50 | 60 | 68 | 73 | 83 | -1 | 55 | 60 | 70 | 78 | 83 | 93 |
| C□U32-□D | 27 | 47 | 52 | 62 | 74 | 79 | 89 | -4 | 57 | 62 | 72 | 84 | 89 | 99 |

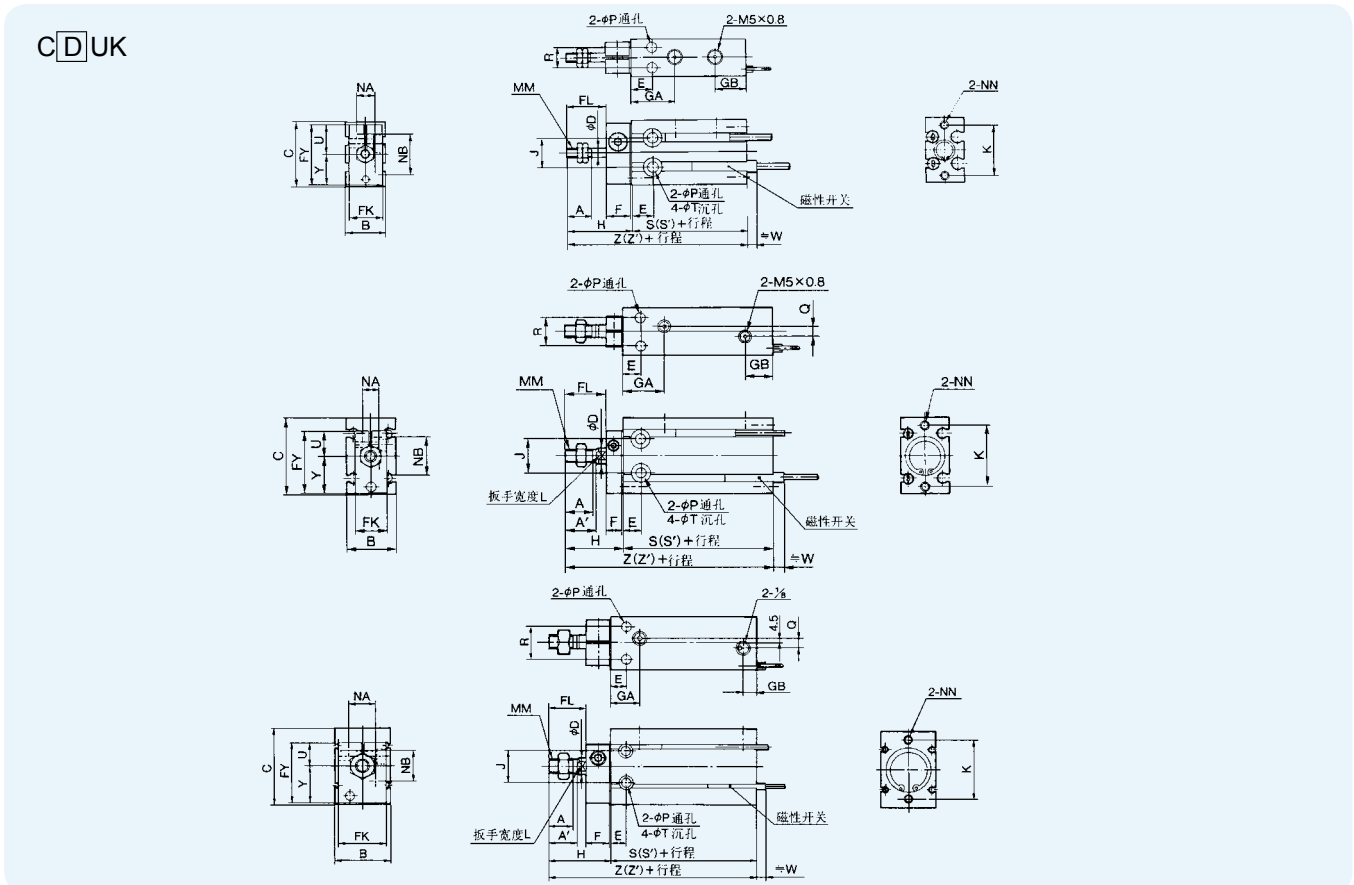
单作用 (弹簧压出)/Single Action (Drawing-Out)

| 型号/Model | H | | | 基本型/Basic Type | | | | | | W | 内置磁环型/With magnet | | | | | |
|----------|-----|------|------|----------------|------|------|-----|------|------|-----|-------------------|------|------|-----|------|------|
| | 5st | 10st | 15st | S | | | Z | | | | S' | | | Z' | | |
| | | | | 5st | 10st | 15st | 5st | 10st | 15st | | 5st | 10st | 15st | 5st | 10st | 15st |
| C□U6-□T | 18 | 23 | 28 | 38 | 43 | 48 | 56 | 66 | 76 | 2.5 | 38 | 43 | 48 | 56 | 66 | 76 |
| C□U10-□T | 21 | 26 | 31 | 41 | 46 | 56 | 62 | 72 | 87 | 1 | 41 | 46 | 56 | 62 | 72 | 87 |
| C□U16-□T | 21 | 26 | 31 | 45 | 50 | 60 | 66 | 76 | 91 | 0 | 45 | 50 | 60 | 66 | 76 | 91 |
| C□U20-□T | 24 | 29 | 34 | 41 | 46 | 56 | 65 | 75 | 90 | 1 | 51 | 56 | 66 | 75 | 85 | 100 |
| C□U25-□T | 28 | 33 | 38 | 45 | 50 | 60 | 73 | 83 | 98 | -1 | 55 | 60 | 70 | 83 | 93 | 108 |
| C□U32-□T | 32 | 37 | 42 | 47 | 52 | 62 | 79 | 89 | 104 | -4 | 57 | 62 | 72 | 89 | 99 | 114 |

CDU系列自由安装气缸 (Ø6~Ø32)

CDU Series Free Installation Cylinder (Ø6~Ø32)

外形尺寸 | Overall Dimension



| 型号 Model | A | A' | B | C | ØD | E | F | FL | FK | FY | GA | GB | H | J | K | L | MM | NA | NB | NN | ØP | Q | R | ØT | U | Y |
|----------|------|------|----|----|----|----|----|----|----|------|------|------|----|----|----|----|----------|----|----|-----------------|-----|------|----|----------------|------|------|
| C□UK6 | 7 | - | 13 | 22 | 3 | 7 | 8 | 9 | 11 | 20.5 | 15 | 10 | 18 | 10 | 17 | - | M3x0.5 | 6 | 14 | M3x0.5深 Depth 5 | 3.4 | - | 7 | 6深 Depth 4.8 | 10 | 10.5 |
| C□UK10 | 10 | - | 15 | 24 | 4 | 7 | 8 | 12 | 12 | 22 | 16.5 | 10 | 21 | 11 | 18 | - | M4x0.7 | 7 | 15 | M3x0.5深 Depth 5 | 3.4 | - | 9 | 6深 Depth 5 | 10.5 | 11.5 |
| C□UK16 | 11 | 12.5 | 20 | 32 | 6 | 7 | 8 | 17 | 13 | 28 | 16.5 | 11.5 | 26 | 14 | 25 | 5 | M5x0.8 | 6 | 18 | M4x0.7深 Depth 6 | 4.5 | 4 | 12 | 7.6深 Depth 6.5 | 12.5 | 15.5 |
| C□UK20 | 12 | 14 | 26 | 40 | 8 | 9 | 8 | 20 | 16 | 33 | 19 | 12.5 | 29 | 16 | 30 | 6 | M6x1.0 | 8 | 20 | M5x0.8深 Depth 8 | 5.5 | 9 | 16 | 9.3深 Depth 8 | 13.5 | 19.5 |
| C□UK25 | 15.5 | 18 | 32 | 50 | 10 | 10 | 10 | 22 | 20 | 43.5 | 21.5 | 13 | 33 | 20 | 38 | 8 | M8x1.25 | 10 | 28 | M5x0.8深 Depth 8 | 5.5 | 9 | 20 | 9.3深 Depth 9 | 19 | 24.5 |
| C□UK32 | 19.5 | 22 | 40 | 62 | 12 | 11 | 12 | 29 | 24 | 51.5 | 23 | 12.5 | 42 | 24 | 48 | 10 | M10x1.25 | 12 | 32 | M6x1.0深 Depth 9 | 6.6 | 13.5 | 24 | 11深 Depth 11.5 | 21 | 30.5 |

双作用/Double Action

| 型号 Model | H | 不带磁环/Without magnet | | 内置磁环型/With magnet | | |
|-----------|----|---------------------|----|-------------------|----|----|
| | | S | Z | W | S' | Z' |
| C□UK6-□D | 18 | 33 | 51 | 2.5 | 33 | 51 |
| C□UK10-□D | 21 | 36 | 57 | 1 | 36 | 57 |
| C□UK16-□D | 26 | 30 | 56 | 0 | 40 | 66 |
| C□UK20-□D | 29 | 36 | 65 | 1 | 46 | 75 |
| C□UK25-□D | 33 | 40 | 73 | -1 | 50 | 83 |
| C□UK32-□D | 42 | 42 | 84 | -4 | 52 | 94 |

单作用 (弹簧压回)/Single Action (Drawing-in)

| 型号/Model | H | 不带磁环/Without magnet | | | | | | 内置磁环型/With magnet | | | | | | |
|-----------|----|---------------------|------|------|-----|------|------|-------------------|-----|------|------|-----|------|------|
| | | S | | | Z | | | W | S' | | | Z' | | |
| | | 5st | 10st | 15st | 5st | 10st | 15st | | 5st | 10st | 15st | 5st | 10st | 15st |
| C□UK6-□D | 18 | 38 | 43 | 48 | 56 | 61 | 66 | 2.5 | 38 | 43 | 48 | 56 | 61 | 66 |
| C□UK10-□D | 21 | 41 | 46 | 56 | 62 | 67 | 77 | 1 | 41 | 46 | 56 | 62 | 67 | 77 |
| C□UK16-□D | 26 | 35 | 40 | 50 | 61 | 66 | 76 | 0 | 45 | 50 | 60 | 71 | 76 | 86 |
| C□UK20-□D | 29 | 41 | 46 | 56 | 70 | 75 | 85 | 1 | 51 | 56 | 66 | 80 | 85 | 95 |
| C□UK25-□D | 33 | 45 | 50 | 60 | 78 | 83 | 93 | -1 | 55 | 60 | 70 | 88 | 93 | 103 |
| C□UK32-□D | 42 | 47 | 52 | 62 | 89 | 94 | 104 | -4 | 57 | 62 | 72 | 99 | 104 | 114 |

单作用 (弹簧压出)/Single Action (Drawing-Out)

| 型号 Model | H | | | ØT | U | Y | 不带磁环/Without magnet | | | | | | 内置磁环型/With magnet | | | | | | |
|-----------|-----|------|------|----------------|------|------|---------------------|------|------|-----|------|------|-------------------|-----|------|------|-----|------|------|
| | 5st | 10st | 15st | | | | S | | | Z | | | W | S' | | | Z' | | |
| | | | | | | | 5st | 10st | 15st | 5st | 10st | 15st | | 5st | 10st | 15st | 5st | 10st | 15st |
| C□UK6-□T | 23 | 28 | 33 | 6深 Depth 4.8 | 10 | 10.5 | 38 | 43 | 48 | 61 | 71 | 81 | 2.5 | 38 | 43 | 48 | 61 | 71 | 81 |
| C□UK10-□T | 26 | 31 | 36 | 6深 Depth 5 | 10.5 | 11.5 | 41 | 46 | 56 | 67 | 77 | 92 | 1 | 41 | 46 | 56 | 67 | 77 | 92 |
| C□UK16-□T | 31 | 36 | 41 | 7.6深 Depth 6.5 | 12.5 | 15.5 | 45 | 50 | 60 | 76 | 86 | 101 | 0 | 45 | 50 | 60 | 76 | 86 | 101 |
| C□UK20-□T | 34 | 39 | 44 | 9.3深 Depth 8 | 13.5 | 19.5 | 41 | 46 | 56 | 75 | 85 | 100 | 1 | 51 | 56 | 66 | 85 | 95 | 110 |
| C□UK25-□T | 38 | 43 | 48 | 9.3深 Depth 9 | 19 | 24.5 | 45 | 50 | 60 | 83 | 93 | 108 | -1 | 55 | 60 | 70 | 93 | 103 | 118 |
| C□UK32-□T | 47 | 52 | 57 | 11深 Depth 11.5 | 21 | 30.5 | 47 | 52 | 62 | 94 | 104 | 119 | -4 | 57 | 62 | 72 | 104 | 114 | 129 |

MGP新薄型带导杆气缸 (Ø20~Ø100)

MGP New Compact Tri-rod Cylinder (Ø20~Ø100)

- 1.体积小、轻巧/Light weight and compact.
- 2.耐横向负载能力强/Strong transverse load capacity.
- 3.耐扭矩能力强/Strong torque capacity.
- 4.不回转精度高/High Non-rotating precision.
- 5.导向杆的轴承可选择滑动轴承或球轴承
Both ball joint or slide joint are available for directional bearing for directional rod.
- 6.安装方便/Easy for installation.
- 7.二面接管位置可供选择/Position of both side ports are changeable.



A

订购码 | Ordering Code

| | | | | | | |
|--|---|--|---|---------------------|---|----------------------------------|
| MGPM | - | 32 | - | 50 | - | MT |
| 轴承种类 M: 滑动轴承 L: 球轴承 Type Bearing M: Slidable bearing L: Ball bearing | | 缸径 Cylinder Bore 12 16 20 25 32 40 50 60 80 100 | | 行程 Stroke | | 磁性开关型号 Sensor D-Z73 |

订货举例/Ordering Code: (examples):

- 1) 所需缸径: 12, 行程: 50, 滑动轴承
正确型号: MGPM12-50
 - 2) 所需缸径: 40, 行程: 100, 球轴承
带2个磁性开关, 引线长0.5m
正确型号: MGPM40-100-Z73
- 1) Cylinder dia needed: 12, stroke: 50, slid able bearing. Right model number: MGPM 12-50
- 2) Cylinder dia needed: 40, stroke: 100, Ball bearing with two sensor switches, leadwire length 0.5 m. Right model number: MGPM 40-100-Z73

行程/磁性开关型号表 | Specification

| 缸径/Bore(mm) | 标准行程/Standard Stroke*(mm) | **磁性开关型号(轨道安装) ** Sensor Switch Optional Model (For slide installation) |
|-------------------------|--|--|
| 12, 16 | 10, 20, 30, 40, 50, 75, 100 | D-Z73L D-Z76L D-Z80L D-Y59AL D-Y59BL |
| 20, 25 | 20, 30, 40, 50, 75, 100, 125, 175, 200 | |
| 32, 40, 50, 63, 80, 100 | 20, 50, 75, 100, 125, 150, 175, 200 | |

*中间行程(5, 10, 20, 30, 35.....)是加5, 10, 15, 20mm厚的垫板, 例如: MGPM50-10是加15mm厚的垫板在MGPM50-25之内

**磁性开关规格及特性可参阅磁性开关系列。引线长度表示记号: 无记号-0.5m, L-3m, 例: D-Y59AL D-Y59AL

* Strokes (from 5, 10, 20, 30, 35.....) are added with 5, 10, 15, 20 mm thick gasket respectively, ex: MGPM50-10 is with 15 mm thickness gasket (MGPM50-25).

** Please refer to sensor switch series pages in this catalog for spec. and characteristic. Code for lead wire length as follow: Blank - 0.5 m, L-3 m. Example: D-Y59AL, D-Y59AL.

规格 | Specification

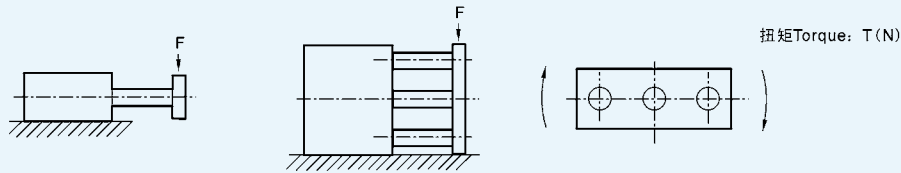
| 缸径/Bore (mm) | 12 | 16 | 20 | 25 | 32 | 40 | 50 | 63 | 80 | 100 |
|--|--|--------|--------|--------|--------|--------|--------|----|------------|-----|
| 使用液体/Operation Fluid | 空气 Air | | | | | | | | | |
| 动作方式/Operation | 双作用 Double Acting | | | | | | | | | |
| 耐压试验压力/Anti-pressure testing pressure | 1.5MPa (15.3kgf/cm ²) | | | | | | | | | |
| 最高使用压力/Max. Operation Pressure | 1.0MPa (10.2kgf/cm ²) | | | | | | | | | |
| 最低使用压力/Min. Operation Pressure | 0.12MPa (1.2kgf/cm ²) | | | | | | | | | |
| 环境和流体温度/Ambient and fluid temperature | 5~+60°C | | | | | | | | | |
| 活塞速度/Piston Velocity | 50~500mm/s | | | | | | | | 50~400mm/s | |
| 缓冲/Buffer | 橡胶缓冲 Rubber Buffer | | | | | | | | | |
| 行程公差/Stroke Tolerance | +1.5mm 0 | | | | | | | | | |
| *给油/Lubrication | 不需要 Non-lub | | | | | | | | | |
| 轴承/Bearing | 滑动轴承/球轴承 Slidable bearing/Ball Bearing | | | | | | | | | |
| 活塞杆不回转精度 Non-rotating rod precision | 滑动轴承/Slidable bearing | ±0.08° | ±0.07° | ±0.06° | ±0.05° | ±0.05° | ±0.04° | | | |
| | 球轴承/Ball Bearing | ±0.10° | ±0.09° | ±0.08° | ±0.06° | ±0.06° | ±0.05° | | | |
| 接管口径/Port Size Rc(PT) | M5x0.8 | | | 1/8" | | | 1/4" | | 3/8" | |

*如需给油, 请用透平油1号油ISOVG32.

MGP新薄型带导杆气缸 (Ø20~Ø100)

MGP New Compact Tri-rod Cylinder (Ø20~Ø100)

负载及扭矩 | Load and Torque



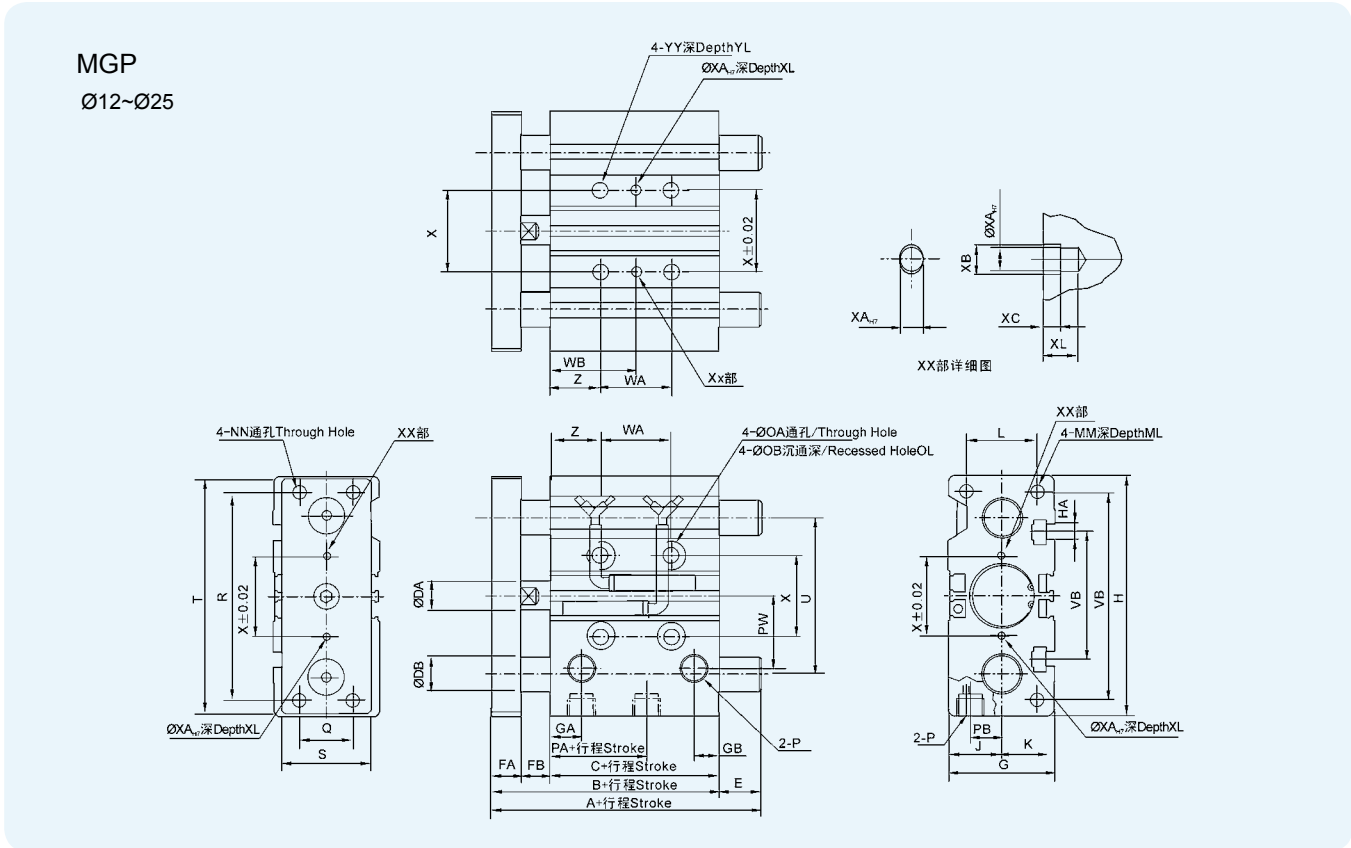
| 缸径 Bore(mm) | 系列/Series | 最大横向负载/Max. Transverse Load $F(N)$ | | | | | | | | | | | |
|----------------|-----------|------------------------------------|----|-----|----|-----|-----|-----|-----|-----|-----|-----|-----|
| | | 行程/Stroke(mm) | | | | | | | | | | | |
| | | 10 | 20 | 25 | 30 | 40 | 50 | 75 | 100 | 125 | 150 | 175 | 200 |
| 12 | MGPM | 24 | 19 | - | 17 | 14 | 13 | 26 | 22 | 19 | 17 | 15 | 13 |
| | MGPL | 37 | 27 | - | 22 | 35 | 30 | 23 | 18 | 15 | 12 | 11 | 10 |
| 16 | MGPM | 38 | 31 | - | 27 | 23 | 21 | 37 | 32 | 27 | 24 | 22 | 20 |
| | MGPL | 54 | 40 | - | 32 | 54 | 47 | 35 | 28 | 23 | 20 | 17 | 15 |
| 20 | MGPM | - | 49 | - | 43 | 38 | 35 | 87 | 75 | 66 | 59 | 54 | 49 |
| | MGPL | - | 58 | - | 48 | 101 | 90 | 70 | 58 | 62 | 54 | 48 | 43 |
| 25 | MGPM | - | 69 | - | 60 | 54 | 49 | 116 | 100 | 88 | 79 | 71 | 65 |
| | MGPL | - | 82 | - | 68 | 132 | 118 | 93 | 77 | 80 | 70 | 62 | 55 |
| 32 | MGPM | - | - | 203 | - | - | 164 | 182 | 159 | 142 | 127 | 116 | 106 |
| | MGPL | - | - | 191 | - | - | 157 | 164 | 144 | 203 | 186 | 171 | 158 |
| 40 | MGPM | - | - | 203 | - | - | 164 | 182 | 159 | 142 | 127 | 116 | 106 |
| | MGPL | - | - | 190 | - | - | 157 | 163 | 144 | 203 | 185 | 171 | 158 |
| 50 | MGPM | - | - | 296 | - | - | 245 | 273 | 241 | 216 | 195 | 179 | 164 |
| | MGPL | - | - | 208 | - | - | 173 | 223 | 199 | 264 | 242 | 224 | 207 |
| 63 | MGPM | - | - | 296 | - | - | 245 | 273 | 241 | 216 | 195 | 179 | 164 |
| | MGPL | - | - | 206 | - | - | 171 | 221 | 196 | 262 | 240 | 221 | 205 |
| 80 | MGPM | - | - | 352 | - | - | 297 | 368 | 329 | 298 | 272 | 251 | 232 |
| | MGPL | - | - | 243 | - | - | 373 | 364 | 331 | 302 | 278 | 256 | 238 |
| 100 | MGPM | - | - | 515 | - | - | 445 | 498 | 450 | 410 | 377 | 349 | 325 |
| | MGPL | - | - | 360 | - | - | 407 | 503 | 460 | 423 | 390 | 362 | 337 |

| 最大扭矩/Max. Torque $T(N\cdot m)$ | | | | | | | | | | | |
|--------------------------------|------|------|------|------|------|------|------|------|------|------|------|
| 行程/Stroke(mm) | | | | | | | | | | | |
| 10 | 20 | 25 | 30 | 40 | 50 | 75 | 100 | 125 | 150 | 175 | 200 |
| 0.39 | 0.32 | - | 0.27 | 0.24 | 0.21 | 0.43 | 0.36 | 0.31 | 0.27 | 0.24 | 0.22 |
| 0.61 | 0.45 | - | 0.35 | 0.58 | 0.50 | 0.37 | 0.29 | 0.24 | 0.20 | 0.18 | 0.16 |
| 0.69 | 0.58 | - | 0.49 | 0.43 | 0.38 | 0.69 | 0.58 | 0.50 | 0.44 | 0.40 | 0.36 |
| 0.99 | 0.74 | - | 0.59 | 0.99 | 0.86 | 0.65 | 0.52 | 0.43 | 0.37 | 0.32 | 0.28 |
| - | 1.05 | - | 0.93 | 0.83 | 0.75 | 1.88 | 1.63 | 1.44 | 1.28 | 1.16 | 1.06 |
| - | 1.26 | - | 1.03 | 2.17 | 1.94 | 1.52 | 1.25 | 1.34 | 1.17 | 1.03 | 0.93 |
| - | 1.76 | - | 1.55 | 1.38 | 1.25 | 2.96 | 2.57 | 2.26 | 2.02 | 1.83 | 1.67 |
| - | 2.11 | - | 1.75 | 3.37 | 3.02 | 2.38 | 1.97 | 2.05 | 1.78 | 1.58 | 1.41 |
| - | - | 6.35 | - | - | 5.13 | 5.69 | 4.97 | 4.42 | 3.98 | 3.61 | 3.31 |
| - | - | 5.95 | - | - | 4.89 | 5.11 | 4.51 | 6.34 | 5.79 | 5.33 | 4.93 |
| - | - | 7.00 | - | - | 5.66 | 6.27 | 5.48 | 4.87 | 4.38 | 3.98 | 3.65 |
| - | - | 6.55 | - | - | 5.39 | 5.62 | 4.96 | 6.98 | 6.38 | 5.87 | 5.43 |
| - | - | 13.0 | - | - | 10.8 | 12.0 | 10.6 | 9.50 | 8.60 | 7.86 | 7.24 |
| - | - | 9.17 | - | - | 7.62 | 9.83 | 8.74 | 11.6 | 10.7 | 9.83 | 9.12 |
| - | - | 14.7 | - | - | 12.1 | 13.5 | 11.9 | 10.7 | 9.69 | 8.86 | 8.16 |
| - | - | 10.2 | - | - | 8.48 | 11.0 | 9.74 | 13.0 | 11.9 | 11.0 | 10.2 |
| - | - | 21.9 | - | - | 18.6 | 22.9 | 20.5 | 18.6 | 17.0 | 15.6 | 14.5 |
| - | - | 15.1 | - | - | 23.3 | 22.7 | 20.6 | 18.9 | 17.3 | 16.0 | 14.8 |
| - | - | 38.8 | - | - | 33.5 | 37.5 | 33.8 | 30.9 | 28.4 | 26.2 | 24.4 |
| - | - | 27.1 | - | - | 30.6 | 37.9 | 34.6 | 31.8 | 29.3 | 27.2 | 25.3 |

MGP新薄型带导杆气缸 (Ø20~Ø100)

MGP New Compact Tri-rod Cylinder (Ø20~Ø100)

外形尺寸 | Overall Dimension



MGPM, MGPL尺寸表/Dimension (Ø12~Ø25)

| 缸径 Bore (mm) | 标准行程 Standard Stroke | B | C | DA | FA | FB | G | GA | GB | H | HA | J | K | L | MM | ML | NN | OA | OB | OL | P | PA | PB | PW | Q |
|--------------|----------------------|------|------|----|----|----|----|------|-----|----|----|----|----|----|--------|----|--------|-----|-----|-----|--------|------|------|------|----|
| 12 | 10,20,30,40, | 42 | 29 | 6 | 8 | 5 | 26 | 11 | 7.5 | 58 | M4 | 13 | 13 | 18 | M4x0.7 | 10 | M4x0.7 | 4.3 | 8 | 4.5 | M5x0.8 | 13 | 8 | 18 | 14 |
| 16 | 50,75,100 | 46 | 33 | 8 | 8 | 5 | 30 | 11 | 8 | 64 | M4 | 15 | 15 | 22 | M5x0.8 | 12 | M5x0.8 | 4.3 | 8 | 4.5 | M5x0.8 | 15 | 10 | 19 | 16 |
| 20 | 20,30,40,50,75,100, | 53 | 37 | 10 | 10 | 6 | 36 | 10.5 | 8.5 | 83 | M5 | 18 | 18 | 24 | M5x0.8 | 13 | M5x0.8 | 5.6 | 9.5 | 5.5 | 1/8 | 12.5 | 10.5 | 25 | 18 |
| 25 | 125,150,175,200 | 53.5 | 37.5 | 12 | 10 | 6 | 42 | 11.5 | 9 | 93 | M5 | 21 | 21 | 30 | M6x1.0 | 15 | M6x1.0 | 5.6 | 9.5 | 5.5 | 1/8 | 12.5 | 13.5 | 28.5 | 26 |

| 缸径 Bore (mm) | 标准行程 Standard Stroke | R | S | T | U | VA | VB | WA | | WB | | X | XA | XB | XC | XL | YY | YL | Z | | |
|--------------|----------------------|----|----|----|----|----|----|--------------|----------------------|--------------|----------------------|----|----|----|----|-----|----|----|--------|----|----|
| | | | | | | | | 30st以下 Below | 40st至100st 或以上 Above | 30st以下 Below | 40st至100st 或以上 Above | | | | | | | | | | |
| 12 | 10,20,30,40, | 48 | 22 | 56 | 41 | 50 | 37 | 20 | 40 | 110 | 15 | 25 | 60 | 23 | 3 | 3.5 | 3 | 6 | M5x0.8 | 10 | 5 |
| 16 | 50,75,100 | 54 | 25 | 62 | 46 | 56 | 38 | 24 | 44 | 110 | 17 | 27 | 60 | 24 | 3 | 3.5 | 3 | 6 | M5x0.8 | 10 | 5 |
| 20 | 20,30,40,50,75, | 70 | 30 | 81 | 54 | 72 | 44 | 24 | 44 | 120 | 29 | 39 | 77 | 28 | 3 | 3.5 | 3 | 6 | M6x1.0 | 12 | 17 |
| 25 | 100,125,150,175,200 | 78 | 38 | 91 | 64 | 82 | 50 | 24 | 44 | 120 | 29 | 39 | 77 | 34 | 4 | 4.5 | 3 | 6 | M6x1.0 | 12 | 17 |

MGPM(滑动轴承/Slidable Bearing)

| 缸径 Bore (mm) | A | | DB | E | |
|--------------|--------------|--------------|----|--------------|--------------|
| | 50st以下 Below | 50st以上 Above | | 50st以下 Below | 50st以上 Above |
| 12 | 42 | 60.5 | 8 | 0 | 18.5 |
| 16 | 46 | 64.5 | 10 | 0 | 18.5 |
| 20 | 53 | 84.5 | 12 | 0 | 31.5 |
| 25 | 53.5 | 85 | 16 | 0 | 31.5 |

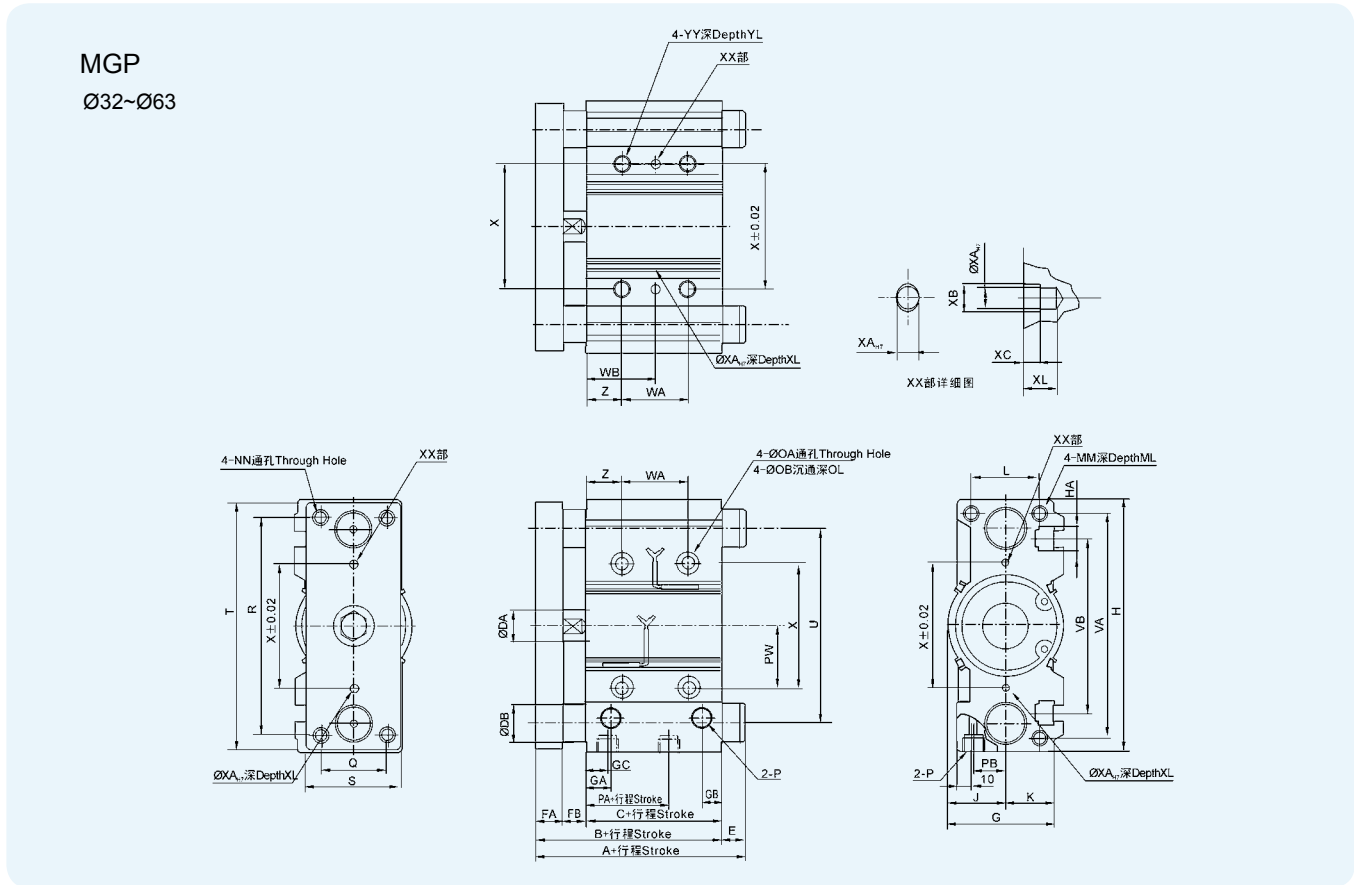
MGPL(球轴承/Ball Bearing)

| 缸径 Bore (mm) | A | | | DB | E | | |
|--------------|--------------|------------|----------------|----|--------------|------------|----------------|
| | 30st以下 Below | 30st至100st | 100st或以上 Above | | 30st以下 Below | 30st至100st | 100st或以上 Above |
| 12 | 43 | 55 | 85 | 6 | 1 | 13 | 43 |
| 16 | 49 | 65 | 95 | 8 | 3 | 19 | 49 |
| 20 | 63 | 80 | 104 | 10 | 10 | 27 | 51 |
| 25 | 69.5 | 80.5 | 104.5 | 13 | 16 | 32 | 51 |

MGP新薄型带导杆气缸 (Ø20~Ø100)

MGP New Compact Tri-rod Cylinder (Ø20~Ø100)

外形尺寸 | Overall Dimension



MGPM, MGPL尺寸表/Dimension (Ø32~Ø63)

| 缸径Bore (mm) | 标准行程 Standard Stroke | B | C | DA | FA | FB | G | GA | GB | GC | H | HA | J | K | L | MM | ML | NN | OA | OB | OL | P | PA | PB | PW | Q |
|-------------|--------------------------------------|------|------|----|----|----|----|------|------|------|-----|-----|----|----|----|---------|----|---------|-----|----|-----|-----|----|------|----|----|
| 32 | 25,50,75, 100,125,150, 175,200 | 59.5 | 37.5 | 16 | 12 | 10 | 48 | 12.5 | 9 | 12.5 | 112 | M6 | 24 | 24 | 34 | M8x1.25 | 20 | M8x1.25 | 6.6 | 11 | 7.5 | 1/8 | 7 | 15 | 34 | 30 |
| 40 | | 66 | 44 | 16 | 12 | 10 | 54 | 14 | 10 | 14 | 120 | M6 | 27 | 27 | 40 | M8x1.25 | 20 | M8x1.25 | 6.6 | 11 | 7.5 | 1/8 | 13 | 18 | 38 | 30 |
| 50 | | 72 | 44 | 20 | 16 | 12 | 64 | 14 | 11 | 12 | 148 | M8 | 32 | 32 | 46 | M10x1.5 | 22 | M10x1.5 | 8.6 | 14 | 9 | 1/4 | 9 | 21.5 | 47 | 40 |
| 63 | | 77 | 49 | 20 | 16 | 12 | 78 | 16.5 | 13.5 | 16.5 | 162 | M10 | 39 | 39 | 58 | M10x1.5 | 22 | M10x1.5 | 8.6 | 14 | 9 | 1/4 | 14 | 28 | 55 | 50 |

| 缸径Bore (mm) | 标准行程 Standard Stroke | R | S | T | U | VA | VB | WA | | | WB | | | X | XA | XB | XC | XL | YY | YL | Z |
|-------------|--------------------------------------|-----|----|-----|-----|-----|-----|------|-------------|---------|------|-------------|---------|----|----|-----|----|----|---------|----|----|
| | | | | | | | | 25st | 50,75,100st | 100st以上 | 25st | 50,75,100st | 100st以上 | | | | | | | | |
| 32 | 25,50,75, 100,125, 150,175,200 | 96 | 44 | 110 | 78 | 98 | 63 | 24 | 48 | 124 | 33 | 45 | 83 | 42 | 4 | 4.5 | 3 | 6 | M8x1.25 | 16 | 21 |
| 40 | | 104 | 44 | 118 | 86 | 106 | 72 | 24 | 48 | 124 | 34 | 46 | 84 | 50 | 4 | 4.5 | 3 | 6 | M8x1.25 | 16 | 22 |
| 50 | | 130 | 60 | 146 | 110 | 130 | 92 | 24 | 48 | 124 | 36 | 48 | 86 | 66 | 5 | 6 | 4 | 8 | M10x1.5 | 20 | 24 |
| 63 | | 130 | 70 | 158 | 124 | 142 | 110 | 28 | 52 | 128 | 38 | 50 | 88 | 80 | 5 | 6 | 4 | 8 | M10x1.5 | 20 | 24 |

MGPM(滑动轴承/Slidable Bearing)

| 缸径 Bore (mm) | A | | DB | E | |
|--------------|---------|--------|----|-----------|--------|
| | 25,50st | 50st以上 | | 25,50st以下 | 50st以上 |
| 32 | 97 | 102 | 20 | 37.5 | 42.5 |
| 40 | 97 | 102 | 20 | 31 | 36 |
| 50 | 106.5 | 118 | 25 | 34.5 | 46 |
| 63 | 106.5 | 118 | 25 | 29.5 | 41 |

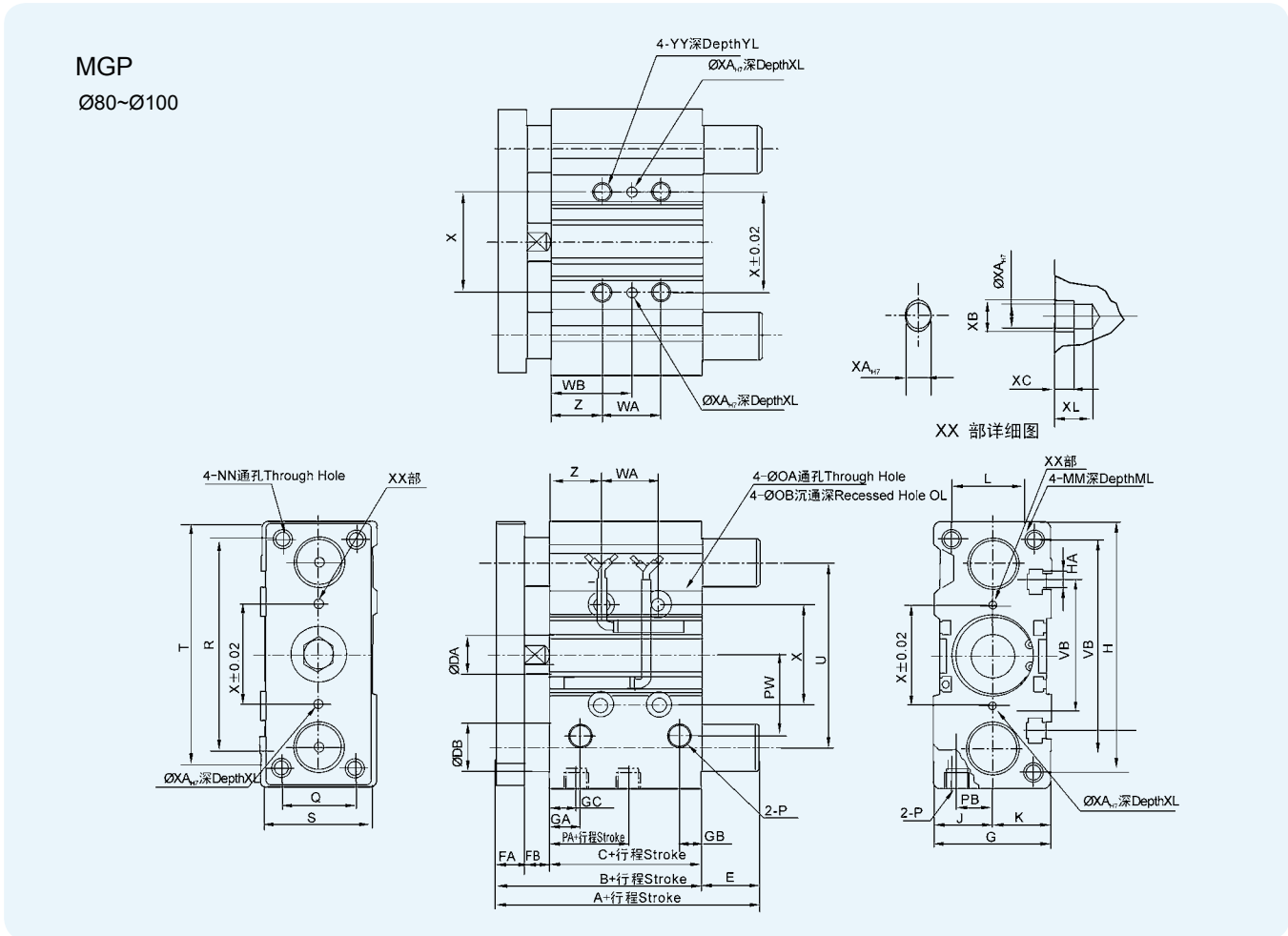
MGPL(球轴承/Ball Bearing)

| 缸径 Bore (mm) | A | | | DB | E | | |
|--------------|------|----------|---------|----|------|----------|---------|
| | 50st | 75,100st | 100st以上 | | 50st | 75,100st | 100st以上 |
| 32 | 81 | 98 | 118 | 16 | 21.5 | 38.5 | 58.5 |
| 40 | 81 | 98 | 118 | 16 | 15 | 32 | 52 |
| 50 | 93 | 114 | 134 | 20 | 21 | 42 | 62 |
| 63 | 93 | 114 | 134 | 20 | 16 | 37 | 57 |

MGP新薄型带导杆气缸 (Ø20~Ø100)

MGP New Compact Tri-rod Cylinder (Ø20~Ø100)

外形尺寸 | Overall Dimension



MGPM, MGPL尺寸表/Dimension (Ø80~Ø100)

| 缸径 Bore (mm) | 标准行程 Standard Stroke | B | C | DA | FA | FB | G | GA | GB | GC | H | HA | J | JA | JB | K | L | MM | ML | NN | OA | OB | OL | P | PA | PB | PW | Q |
|--------------------|----------------------------|------|------|----|----|----|-------|----|------|------|-----|-----|------|----|------|----|----|----------|----|----------|------|------|----|-----|------|------|----|----|
| 80 | 25,50,75, 100,125,150, | 96.5 | 56.5 | 25 | 22 | 18 | 91.5 | 19 | 15.5 | 14.5 | 202 | M12 | 45.5 | 38 | 7.5 | 46 | 54 | M12x1.75 | 25 | M12x1.75 | 10.6 | 17.5 | 8 | 3/8 | 14.5 | 25.5 | 74 | 52 |
| 100 | 175,200 | 116 | 66 | 30 | 25 | 25 | 111.5 | 23 | 19 | 18 | 240 | M14 | 55.5 | 45 | 10.5 | 56 | 62 | M14x2.0 | 31 | M14x2.0 | 12.5 | 20 | 8 | 3/8 | 17.5 | 32.5 | 89 | 64 |

| 缸径 Bore (mm) | 标准行程 Standard Stroke | R | S | T | U | VA | VB | WA | | | WB | | | X | XA | XB | XC | XL | YY | YL | Z |
|--------------------|----------------------------|-----|----|-----|-----|-----|-----|------|-------------|---------|------|-------------|---------|-----|----|----|----|----|----------|----|----|
| | | | | | | | | 25st | 50,75,100st | 100st以上 | 25st | 50,75,100st | 100st以上 | | | | | | | | |
| 80 | 25,50,75, 100,125,150, | 174 | 75 | 198 | 156 | 180 | 140 | 28 | 52 | 128 | 42 | 54 | 92 | 100 | 6 | 7 | 5 | 10 | M12x1.75 | 24 | 28 |
| 100 | 175,200 | 210 | 90 | 236 | 188 | 210 | 166 | 48 | 72 | 148 | 35 | 47 | 85 | 124 | 6 | 7 | 5 | 10 | M14x2.0 | 28 | 11 |

MGPM(滑动轴承/Slidable Bearing)

| 缸径 Bore (mm) | A | | DB | E | |
|--------------------|---------|--------|----|-----------|--------|
| | 25,50st | 50st以上 | | 25,50st以下 | 50st以上 |
| 80 | 115 | 142 | 30 | 18.5 | 45.5 |
| 100 | 137 | 162 | 36 | 21 | 46 |

MGPL(球轴承/Ball Bearing)

| 缸径 Bore (mm) | A | | | DB | E | | |
|--------------------|---------|----------|---------|----|---------|----------|---------|
| | 25,50st | 75,100st | 100st以上 | | 25,50st | 75,100st | 100st以上 |
| 80 | 109.5 | 130 | 160 | 25 | 13 | 33.5 | 63.5 |
| 100 | 121 | 147 | 180 | 30 | 5 | 31 | 64 |

CPT系列标准型增压缸

CPT Series Booster Cylinder (Hydraulic pneumatic cylinder)



订购码 | Ordering Code

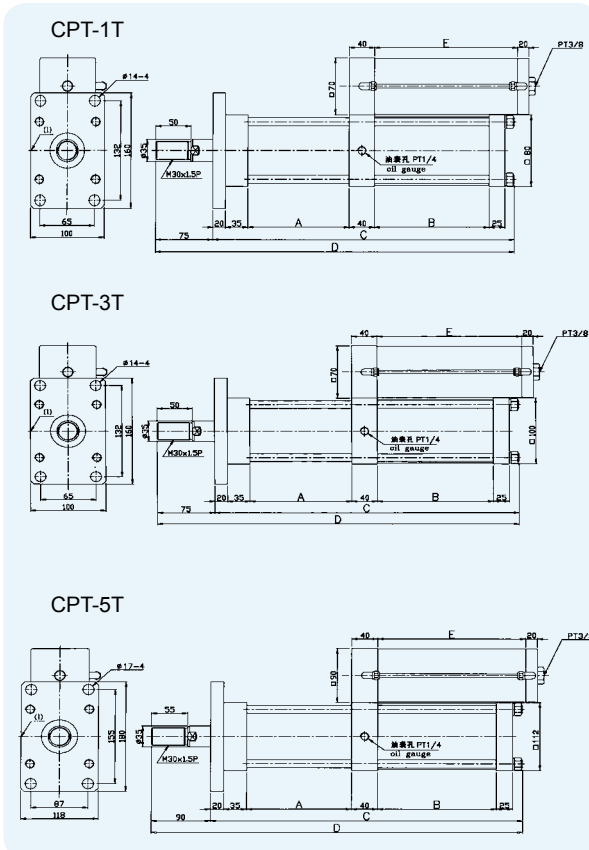
CPT - **63** - **100** - **20** - **3T**

| | | | | |
|---|--|---|---|---|
| 系列 标准型增压缸 Series Standard Type of Boosting Cylinder | 缸径 Cylinder Bore 1T: 63mm 3T: 63mm 5T: 80mm 10T: 80mm 13T: 100mm 15T: 125mm 20T: 125mm 30T: 125mm 40T: 160mm | 总行程 Total Stroke 50: 50mm 100: 100mm 150: 150mm 200: 200mm | 力行程 Power Stroke 5: 5mm 10: 10mm 15: 15mm 20: 20mm | 总出力 Total Output Power 1: 1T 3: 3T 5: 5T 10: 10T 13: 13T 15: 15T 20: 20T 30: 30T 40: 40T |
|---|--|---|---|---|

规格 | Specification

| 型号/Model | CPT |
|-------------------------------------|---|
| 动作方式/Motion Pattern | 双动 Double Action |
| 使用压力/Operating Pressure | 2-7kg/cm ² 过滤后干燥压缩空气 Dry Compress Air After Filtering |
| 循环油/Cycle Oil | ISO VG68 |
| 工作温度/Working Temperature | -5~60°C |
| 操作速度/Operation Speed | 50-700mm/s |
| 油缸保证耐压/Oil Cylinder Assure pressure | 300kg/cm ² |
| 气缸保证耐压/Air Cylinder Assure pressure | 15kg/cm ² |
| 行程公差/Stroke Difference | +1.0 0 mm |
| 工作频率/Working Frequency | 10次(times)/分(min) |

外形尺寸 | Overall Dimension



| 总行程 Total Stroke | 增压行程 Boosting Stroke | A | B | C | D | E | 总行程 Total Stroke | 增压行程 Boosting Stroke | A | B | C | D | E |
|---------------------|-------------------------|-----|-----|-----|-----|-----|---------------------|-------------------------|-----|-----|-----|-----|-----|
| 50 | 5 | 110 | 110 | 355 | 430 | 260 | 50 | 15 | 110 | 205 | 450 | 525 | 260 |
| 100 | 5 | 160 | 110 | 405 | 480 | 310 | 100 | 15 | 160 | 205 | 500 | 575 | 310 |
| 150 | 5 | 210 | 110 | 455 | 530 | 340 | 150 | 15 | 210 | 205 | 550 | 625 | 340 |
| 200 | 5 | 260 | 110 | 505 | 580 | 410 | 200 | 15 | 260 | 205 | 600 | 675 | 410 |
| 50 | 10 | 110 | 160 | 405 | 480 | 260 | 50 | 20 | 110 | 255 | 500 | 575 | 260 |
| 100 | 10 | 160 | 160 | 455 | 530 | 310 | 100 | 20 | 160 | 255 | 550 | 625 | 310 |
| 150 | 10 | 210 | 160 | 505 | 580 | 340 | 150 | 20 | 210 | 255 | 600 | 675 | 340 |
| 200 | 10 | 260 | 160 | 555 | 630 | 410 | 200 | 20 | 260 | 255 | 650 | 725 | 410 |

| 总行程 Total Stroke | 增压行程 Boosting Stroke | A | B | C | D | E | 总行程 Total Stroke | 增压行程 Boosting Stroke | A | B | C | D | E |
|---------------------|-------------------------|-----|-----|-----|-----|-----|---------------------|-------------------------|-----|-----|-----|-----|-----|
| 50 | 5 | 110 | 110 | 355 | 430 | 260 | 50 | 15 | 110 | 205 | 450 | 525 | 260 |
| 100 | 5 | 160 | 110 | 405 | 480 | 310 | 100 | 15 | 160 | 205 | 500 | 575 | 310 |
| 150 | 5 | 210 | 110 | 455 | 530 | 340 | 150 | 15 | 210 | 205 | 550 | 625 | 340 |
| 200 | 5 | 260 | 110 | 505 | 580 | 410 | 200 | 15 | 260 | 205 | 600 | 675 | 410 |
| 50 | 10 | 110 | 160 | 405 | 480 | 260 | 50 | 20 | 110 | 255 | 500 | 575 | 260 |
| 100 | 10 | 160 | 160 | 455 | 530 | 310 | 100 | 20 | 160 | 255 | 550 | 625 | 310 |
| 150 | 10 | 210 | 160 | 505 | 580 | 340 | 150 | 20 | 210 | 255 | 600 | 675 | 340 |
| 200 | 10 | 260 | 160 | 555 | 630 | 410 | 200 | 20 | 260 | 255 | 650 | 725 | 410 |

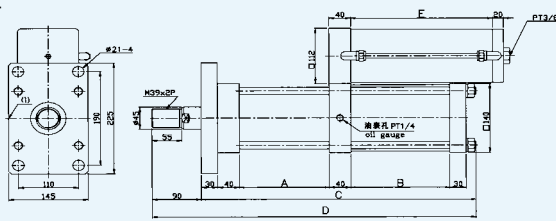
| 总行程 Total Stroke | 增压行程 Boosting Stroke | A | B | C | D | E | 总行程 Total Stroke | 增压行程 Boosting Stroke | A | B | C | D | E |
|---------------------|-------------------------|-----|-----|-----|-----|-----|---------------------|-------------------------|-----|-----|-----|-----|-----|
| 50 | 5 | 110 | 121 | 366 | 456 | 280 | 50 | 15 | 110 | 241 | 486 | 576 | 280 |
| 100 | 5 | 160 | 121 | 416 | 506 | 340 | 100 | 15 | 160 | 241 | 536 | 626 | 340 |
| 150 | 5 | 210 | 121 | 466 | 556 | 380 | 150 | 15 | 210 | 241 | 586 | 676 | 380 |
| 200 | 5 | 260 | 121 | 516 | 606 | 420 | 200 | 15 | 260 | 241 | 636 | 726 | 420 |
| 50 | 10 | 110 | 181 | 426 | 516 | 280 | 50 | 20 | 160 | 301 | 596 | 636 | 280 |
| 100 | 10 | 160 | 181 | 476 | 566 | 340 | 100 | 20 | 160 | 301 | 596 | 686 | 340 |
| 150 | 10 | 210 | 181 | 526 | 616 | 380 | 150 | 20 | 210 | 301 | 646 | 736 | 380 |
| 200 | 10 | 260 | 181 | 576 | 666 | 420 | 200 | 20 | 260 | 301 | 696 | 786 | 420 |

CPT系列标准型增压缸

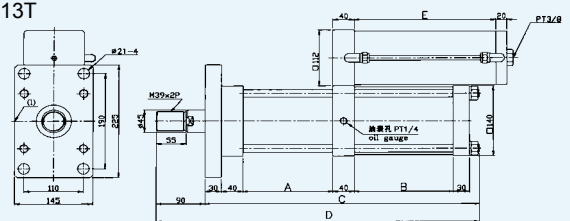
CPT Series Booster Cylinder (Hydraulic pneumatic cylinder)

外形尺寸 | Overall Dimension

CPT-10T



CPT-13T



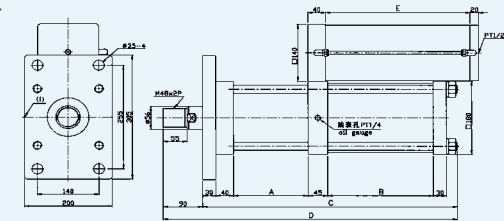
| 总行程 Total Stroke | 增压行程 Boosting Stroke | A | B | C | D | E |
|---------------------|-------------------------|-----|-----|-----|-----|-----|
| 50 | 5 | 120 | 121 | 391 | 430 | 280 |
| 100 | 5 | 170 | 121 | 441 | 480 | 340 |
| 150 | 5 | 220 | 121 | 491 | 530 | 380 |
| 200 | 5 | 270 | 121 | 541 | 580 | 420 |
| 50 | 10 | 120 | 181 | 451 | 541 | 280 |
| 100 | 10 | 170 | 181 | 501 | 591 | 340 |
| 150 | 10 | 220 | 181 | 551 | 641 | 380 |
| 200 | 10 | 270 | 181 | 601 | 691 | 420 |

| 总行程 Total Stroke | 增压行程 Boosting Stroke | A | B | C | D | E |
|---------------------|-------------------------|-----|-----|-----|-----|-----|
| 50 | 15 | 120 | 241 | 511 | 601 | 280 |
| 100 | 15 | 170 | 241 | 561 | 651 | 340 |
| 150 | 15 | 220 | 241 | 611 | 701 | 380 |
| 200 | 15 | 270 | 241 | 661 | 751 | 420 |
| 50 | 20 | 120 | 301 | 571 | 661 | 280 |
| 100 | 20 | 170 | 301 | 621 | 711 | 340 |
| 150 | 20 | 220 | 301 | 671 | 761 | 380 |
| 200 | 20 | 270 | 301 | 721 | 811 | 420 |

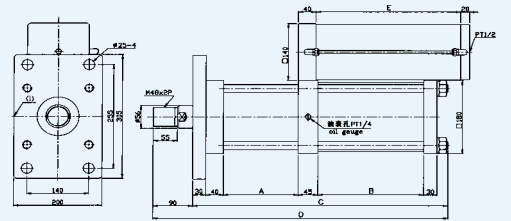
| 总行程 Total Stroke | 增压行程 Boosting Stroke | A | B | C | D | E |
|---------------------|-------------------------|-----|-----|-----|-----|-----|
| 50 | 5 | 120 | 121 | 391 | 430 | 280 |
| 100 | 5 | 170 | 121 | 441 | 480 | 340 |
| 150 | 5 | 220 | 121 | 491 | 530 | 380 |
| 200 | 5 | 270 | 121 | 541 | 580 | 420 |
| 50 | 10 | 120 | 181 | 451 | 541 | 280 |
| 100 | 10 | 170 | 181 | 501 | 591 | 340 |
| 150 | 10 | 220 | 181 | 551 | 641 | 380 |
| 200 | 10 | 270 | 181 | 601 | 691 | 420 |

| 总行程 Total Stroke | 增压行程 Boosting Stroke | A | B | C | D | E |
|---------------------|-------------------------|-----|-----|-----|-----|-----|
| 50 | 15 | 120 | 241 | 511 | 601 | 280 |
| 100 | 15 | 170 | 241 | 561 | 651 | 340 |
| 150 | 15 | 220 | 241 | 611 | 701 | 380 |
| 200 | 15 | 270 | 241 | 661 | 751 | 420 |
| 50 | 20 | 120 | 301 | 571 | 661 | 280 |
| 100 | 20 | 170 | 301 | 621 | 711 | 340 |
| 150 | 20 | 220 | 301 | 671 | 761 | 380 |
| 200 | 20 | 270 | 301 | 721 | 811 | 420 |

CPT-15T



CPT-20T



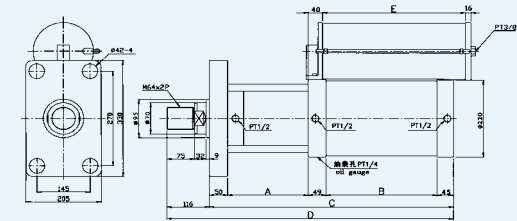
| 总行程 Total Stroke | 增压行程 Boosting Stroke | A | B | C | D | E |
|---------------------|-------------------------|-----|-----|-----|-----|-----|
| 50 | 5 | 120 | 131 | 411 | 501 | 280 |
| 100 | 5 | 170 | 131 | 461 | 551 | 340 |
| 150 | 5 | 220 | 131 | 511 | 601 | 380 |
| 200 | 5 | 270 | 131 | 561 | 651 | 420 |
| 50 | 10 | 120 | 191 | 471 | 561 | 280 |
| 100 | 10 | 170 | 191 | 521 | 611 | 340 |
| 150 | 10 | 220 | 191 | 571 | 661 | 380 |
| 200 | 10 | 270 | 191 | 621 | 711 | 420 |

| 总行程 Total Stroke | 增压行程 Boosting Stroke | A | B | C | D | E |
|---------------------|-------------------------|-----|-----|-----|-----|-----|
| 50 | 15 | 120 | 251 | 531 | 621 | 280 |
| 100 | 15 | 170 | 251 | 581 | 671 | 340 |
| 150 | 15 | 220 | 251 | 631 | 721 | 380 |
| 200 | 15 | 270 | 251 | 681 | 771 | 410 |
| 50 | 20 | 120 | 311 | 591 | 681 | 280 |
| 100 | 20 | 170 | 311 | 641 | 731 | 340 |
| 150 | 20 | 220 | 311 | 691 | 781 | 380 |
| 200 | 20 | 270 | 311 | 741 | 831 | 420 |

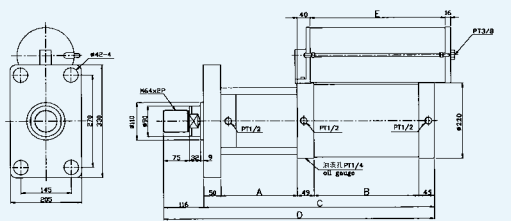
| 总行程 Total Stroke | 增压行程 Boosting Stroke | A | B | C | D | E |
|---------------------|-------------------------|-----|-----|-----|-----|-----|
| 50 | 5 | 120 | 151 | 431 | 521 | 280 |
| 100 | 5 | 170 | 151 | 481 | 571 | 340 |
| 150 | 5 | 220 | 151 | 531 | 621 | 380 |
| 200 | 5 | 270 | 151 | 581 | 671 | 410 |
| 50 | 10 | 120 | 241 | 521 | 611 | 280 |
| 100 | 10 | 170 | 241 | 571 | 661 | 340 |
| 150 | 10 | 220 | 241 | 621 | 711 | 380 |
| 200 | 10 | 270 | 241 | 671 | 761 | 420 |

| 总行程 Total Stroke | 增压行程 Boosting Stroke | A | B | C | D | E |
|---------------------|-------------------------|-----|-----|-----|-----|-----|
| 50 | 15 | 120 | 311 | 611 | 701 | 280 |
| 100 | 15 | 170 | 311 | 661 | 751 | 340 |
| 150 | 15 | 220 | 311 | 711 | 801 | 380 |
| 200 | 15 | 270 | 311 | 761 | 851 | 410 |
| 50 | 20 | 120 | 421 | 701 | 791 | 280 |
| 100 | 20 | 170 | 421 | 751 | 841 | 340 |
| 150 | 20 | 220 | 421 | 801 | 891 | 380 |
| 200 | 20 | 270 | 421 | 851 | 941 | 420 |

CPT-30T



CPT-40T



| 总行程 Total Stroke | 增压行程 Boosting Stroke | A | B | C | D | E |
|---------------------|-------------------------|-----|-----|-----|-----|-----|
| 50 | 5 | 120 | 141 | 446 | 536 | 280 |
| 100 | 5 | 170 | 141 | 496 | 586 | 340 |
| 150 | 5 | 220 | 141 | 546 | 636 | 380 |
| 200 | 5 | 270 | 141 | 596 | 686 | 420 |
| 50 | 10 | 120 | 201 | 506 | 596 | 280 |
| 100 | 10 | 170 | 201 | 556 | 646 | 340 |
| 150 | 10 | 220 | 201 | 606 | 696 | 380 |
| 200 | 10 | 270 | 201 | 656 | 746 | 420 |

| 总行程 Total Stroke | 增压行程 Boosting Stroke | A | B | C | D | E |
|---------------------|-------------------------|-----|-----|-----|-----|-----|
| 50 | 15 | 120 | 261 | 556 | 656 | 280 |
| 100 | 15 | 170 | 261 | 616 | 706 | 340 |
| 150 | 15 | 220 | 261 | 666 | 756 | 380 |
| 200 | 15 | 270 | 261 | 716 | 806 | 420 |
| 50 | 20 | 120 | 321 | 626 | 716 | 280 |
| 100 | 20 | 170 | 321 | 676 | 766 | 340 |
| 150 | 20 | 220 | 321 | 726 | 816 | 380 |
| 200 | 20 | 270 | 321 | 776 | 866 | 420 |

| 总行程 Total Stroke | 增压行程 Boosting Stroke | A | B | C | D | E |
|---------------------|-------------------------|-----|-----|-----|-----|-----|
| 50 | 5 | 130 | 171 | 496 | 586 | 280 |
| 100 | 5 | 180 | 171 | 546 | 636 | 340 |
| 150 | 5 | 230 | 171 | 596 | 686 | 380 |
| 200 | 5 | 280 | 171 | 646 | 736 | 420 |
| 50 | 10 | 130 | 276 | 601 | 691 | 280 |
| 100 | 10 | 180 | 276 | 651 | 741 | 340 |
| 150 | 10 | 230 | 276 | 701 | 791 | 380 |
| 200 | 10 | 280 | 276 | 751 | 841 | 420 |

| 总行程 Total Stroke | 增压行程 Boosting Stroke | A | B | C | D | E |
|---------------------|-------------------------|-----|-----|-----|------|-----|
| 50 | 15 | 130 | 381 | 706 | 796 | 280 |
| 100 | 15 | 180 | 381 | 756 | 846 | 340 |
| 150 | 15 | 230 | 381 | 806 | 896 | 380 |
| 200 | 15 | 280 | 381 | 856 | 946 | 420 |
| 50 | 20 | 130 | 486 | 811 | 901 | 280 |
| 100 | 20 | 180 | 486 | 861 | 951 | 340 |
| 150 | 20 | 230 | 486 | 911 | 1001 | 380 |
| 200 | 20 | 280 | 486 | 961 | 1051 | 420 |

CPTF系列快速型增压缸

CPTF Series Fast Type Pressurize Cylinder



订购码 | Ordering Code

CPTF - 80 - 50 - 10 - 5T

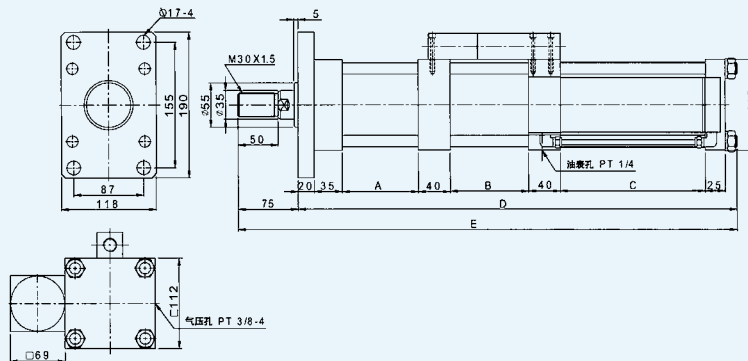
| | | | | |
|--|--|---|---|---|
| 系列 快速型增压缸 Series Fast Type Pressurize Cylinder | 缸径 Cylinder Bore 1T: 63mm 3T: 63mm 5T: 80mm 10T: 80mm 13T: 100mm 15T: 125mm 20T: 125mm 30T: 125mm 40T: 160mm | 总行程 Total Stroke 50: 50mm 100: 100mm 150: 150mm 200: 200mm | 力行程 Power Stroke 5: 5mm 10: 10mm 15: 15mm 20: 20mm | 总出力 Total Output Power 1: 1T 3: 3T 5: 5T 10: 10T 13: 13T 15: 15T 20: 20T 30: 30T 40: 40T |
|--|--|---|---|---|

规格 | Specification

| 型号/Model | CPTF (快速型增压缸系列) CPTF (Fast Type Pressurize Cylinder Series) |
|-------------------------------------|---|
| 动作方式/Motion Pattern | 复动 Double Action |
| 动作压力/Motion Pressure | 2-7kg/cm ² 过滤后干燥压缩空气 Dry Compress Air After Filtering |
| 循环油/Cycle Oil | ISO VG68 |
| 工作温度/Working Temperature | -5~60℃ 其余工作温度需订制 (Other, Needs Custom-Made) |
| 操作速度/Operation Speed | 50-1000mm/s |
| 油缸保证耐压/Oil Cylinder Assure pressure | 300kg/cm ² |
| 气缸保证耐压/Air Cylinder Assure pressure | 15kg/cm ² |
| 行程公差/Stroke Difference | +1.0 0 mm |
| 工作频率/Working Frequency | 10次(times)/分(min) |

外形尺寸 | Overall Dimension

CPTF-5T



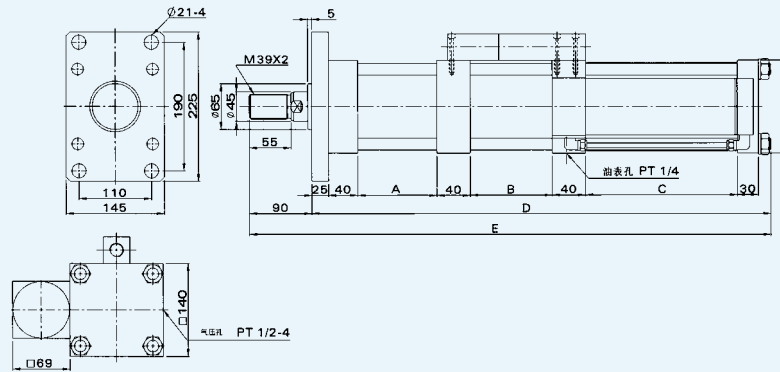
| 总行程 Total Stroke | 增压行程 Pressurize Stroke | A | B | C | D | E | 总行程 Total Stroke | 增压行程 Pressurize Stroke | A | B | C | D | E |
|---------------------|---------------------------|-----|-----|-----|-----|-----|---------------------|---------------------------|-----|-----|-----|-----|------|
| 50 | 5 | 95 | 98 | 131 | 500 | 575 | 50 | 15 | 95 | 98 | 241 | 610 | 685 |
| 100 | 5 | 145 | 148 | 131 | 600 | 675 | 100 | 15 | 145 | 148 | 241 | 710 | 785 |
| 150 | 5 | 195 | 198 | 131 | 700 | 775 | 150 | 15 | 195 | 198 | 241 | 810 | 885 |
| 200 | 5 | 245 | 248 | 131 | 800 | 875 | 200 | 15 | 245 | 248 | 241 | 910 | 985 |
| 50 | 10 | 95 | 98 | 181 | 550 | 625 | 50 | 20 | 95 | 98 | 301 | 670 | 745 |
| 100 | 10 | 145 | 148 | 181 | 650 | 725 | 100 | 20 | 145 | 148 | 301 | 770 | 845 |
| 150 | 10 | 195 | 198 | 181 | 750 | 825 | 150 | 20 | 195 | 198 | 301 | 870 | 945 |
| 200 | 10 | 245 | 248 | 181 | 850 | 925 | 200 | 20 | 245 | 248 | 301 | 970 | 1045 |

CPTF系列快速型增压缸

CPTF Series Fast Type Pressurize Cylinder

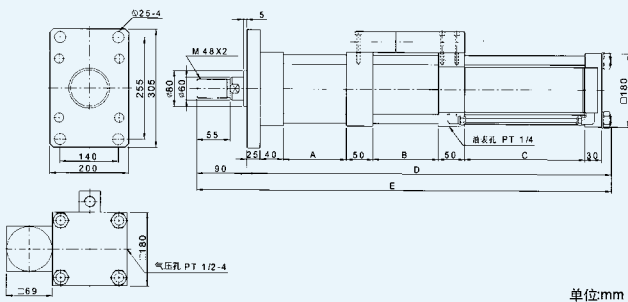
外形尺寸 | Overall Dimension

CPTF-10T

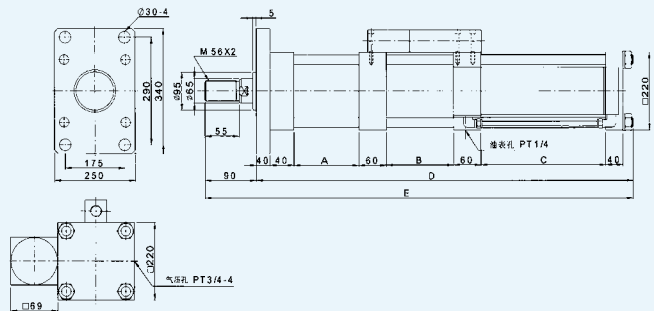


| 总行程 Total Stroke | 增压行程 Boosting Stroke | A | B | C | D | E | 总行程 Total Stroke | 增压行程 Boosting Stroke | A | B | C | D | E |
|---------------------|-------------------------|-----|-----|-----|-----|-----|---------------------|-------------------------|-----|-----|-----|-----|------|
| 50 | 5 | 95 | 98 | 121 | 510 | 600 | 50 | 15 | 95 | 98 | 241 | 630 | 720 |
| 100 | 5 | 145 | 148 | 121 | 610 | 700 | 100 | 15 | 145 | 148 | 241 | 730 | 820 |
| 150 | 5 | 195 | 198 | 121 | 710 | 800 | 150 | 15 | 195 | 198 | 241 | 830 | 920 |
| 200 | 5 | 245 | 248 | 121 | 810 | 900 | 200 | 15 | 245 | 248 | 241 | 930 | 1020 |
| 50 | 10 | 95 | 98 | 181 | 570 | 660 | 50 | 20 | 95 | 98 | 301 | 690 | 780 |
| 100 | 10 | 145 | 148 | 181 | 670 | 760 | 100 | 20 | 145 | 148 | 301 | 790 | 880 |
| 150 | 10 | 195 | 198 | 181 | 770 | 860 | 150 | 20 | 195 | 198 | 301 | 890 | 980 |
| 200 | 10 | 245 | 248 | 181 | 870 | 960 | 200 | 20 | 245 | 248 | 301 | 990 | 1080 |

CPTF-20T



CPTF-30T



单位:mm

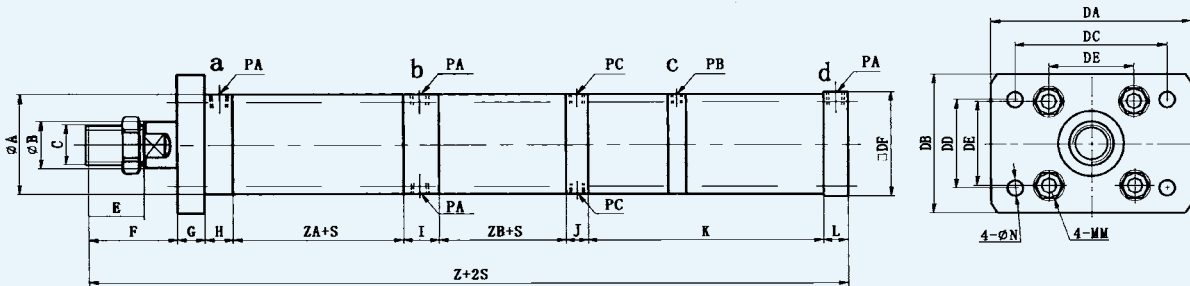
| 总行程 Total Stroke | 增压行程 Boosting Stroke | A | B | C | D | E | 总行程 Total Stroke | 增压行程 Boosting Stroke | A | B | C | D | E | 总行程 Total Stroke | 增压行程 Boosting Stroke | A | B | C | D | E |
|---------------------|-------------------------|-----|-----|-----|------|------|---------------------|-------------------------|-----|-----|-----|------|------|---------------------|-------------------------|-----|-----|-----|------|------|
| 50 | 5 | 105 | 108 | 151 | 580 | 670 | 50 | 15 | 105 | 108 | 331 | 760 | 850 | 50 | 5 | 105 | 108 | 141 | 614 | 704 |
| 100 | 5 | 155 | 158 | 151 | 680 | 770 | 100 | 15 | 155 | 158 | 331 | 860 | 950 | 100 | 5 | 155 | 158 | 141 | 714 | 804 |
| 150 | 5 | 205 | 208 | 151 | 780 | 870 | 150 | 15 | 205 | 208 | 331 | 960 | 1050 | 150 | 5 | 205 | 208 | 141 | 814 | 904 |
| 200 | 5 | 255 | 258 | 151 | 880 | 970 | 200 | 15 | 255 | 258 | 331 | 1060 | 1150 | 200 | 5 | 255 | 258 | 141 | 914 | 1004 |
| 50 | 10 | 105 | 108 | 241 | 670 | 760 | 50 | 20 | 105 | 108 | 421 | 850 | 940 | 50 | 10 | 105 | 108 | 201 | 674 | 764 |
| 100 | 10 | 155 | 158 | 241 | 770 | 860 | 100 | 20 | 155 | 158 | 421 | 950 | 1040 | 100 | 10 | 155 | 158 | 201 | 774 | 864 |
| 150 | 10 | 205 | 208 | 241 | 870 | 960 | 150 | 20 | 205 | 208 | 421 | 1050 | 1140 | 150 | 10 | 205 | 208 | 201 | 874 | 964 |
| 200 | 10 | 255 | 258 | 241 | 970 | 1060 | 200 | 20 | 255 | 258 | 421 | 1140 | 1230 | 200 | 10 | 255 | 258 | 201 | 974 | 1064 |
| 50 | 15 | 105 | 108 | 261 | 734 | 824 | 50 | 15 | 105 | 108 | 261 | 734 | 824 | 50 | 15 | 105 | 108 | 261 | 734 | 824 |
| 100 | 15 | 155 | 158 | 261 | 834 | 924 | 100 | 15 | 155 | 158 | 261 | 834 | 924 | 100 | 15 | 155 | 158 | 261 | 834 | 924 |
| 150 | 15 | 205 | 208 | 261 | 934 | 1024 | 150 | 15 | 205 | 208 | 261 | 934 | 1024 | 150 | 15 | 205 | 208 | 261 | 934 | 1024 |
| 200 | 15 | 255 | 258 | 261 | 1034 | 1124 | 200 | 15 | 255 | 258 | 261 | 1034 | 1124 | 200 | 15 | 255 | 258 | 261 | 1034 | 1124 |
| 50 | 20 | 105 | 108 | 321 | 794 | 884 | 50 | 20 | 105 | 108 | 321 | 794 | 884 | 50 | 20 | 105 | 108 | 321 | 794 | 884 |
| 100 | 20 | 155 | 158 | 321 | 894 | 984 | 100 | 20 | 155 | 158 | 321 | 894 | 984 | 100 | 20 | 155 | 158 | 321 | 894 | 984 |
| 150 | 20 | 205 | 208 | 321 | 994 | 1084 | 150 | 20 | 205 | 208 | 321 | 994 | 1084 | 150 | 20 | 205 | 208 | 321 | 994 | 1084 |
| 200 | 20 | 255 | 258 | 321 | 1094 | 1184 | 200 | 20 | 255 | 258 | 321 | 1094 | 1184 | 200 | 20 | 255 | 258 | 321 | 1094 | 1184 |

CYG系列快速型增压缸

CYG Series Fast Type Pressurize Cylinder



外形尺寸 | Overall Dimension



尺寸表 | Dimension Sheet

| 缸径 Bore | ØA | ØB | C | DA | DB | DC | DD | DE | DF | E | F | G | H |
|---------|-----|----|---------|-----|-----|-----|-----|-----|-----|-----|-----|----|----|
| 63 | 71 | 30 | M22x1.5 | 140 | 90 | 117 | 66 | 60 | 79 | 40 | 60 | 14 | 22 |
| 80 | 90 | 40 | M36x2 | 180 | 125 | 136 | 80 | 76 | 94 | 40 | 70 | 25 | 25 |
| 100 | 114 | 40 | M36x2 | 200 | 140 | 163 | 97 | 97 | 120 | 50 | 80 | 22 | 25 |
| 125 | 140 | 50 | M48x2 | 220 | 160 | 182 | 120 | 118 | 145 | 50 | 110 | 32 | 40 |
| 160 | 172 | 50 | M48x2 | 310 | 225 | 260 | 160 | 141 | 180 | 70 | 110 | 32 | 36 |
| 200 | 220 | 70 | M60x2 | 400 | 280 | 330 | 195 | 187 | 240 | 130 | 180 | 40 | 40 |

| 缸径 Bore | I | J | K | L | ØN | MM | ZA | ZB | Z | PA | PB | PC |
|---------|----|----|-----|----|------|----------|----|----|-----|-----|-----|-----|
| 63 | 92 | 0 | 206 | 18 | 14.5 | M10x1.25 | 36 | 0 | 448 | 1/4 | M6 | 1/4 |
| 80 | 32 | 20 | 155 | 22 | 14.5 | M12 | 42 | 36 | 358 | 3/8 | 3 | 1/4 |
| 100 | 28 | 20 | 217 | 22 | 16.5 | M14 | 54 | 64 | 536 | 3/8 | 1/4 | 1/4 |
| 125 | 33 | 25 | 163 | 22 | 21 | M18 | 55 | 75 | 445 | 3/8 | M6 | 1/4 |
| 160 | 32 | 17 | 252 | 39 | 24.5 | M20 | 58 | 83 | 659 | 1/2 | 1/4 | 1/4 |
| 200 | 27 | 17 | 295 | 43 | 27 | M33 | 59 | 95 | 806 | 3/4 | 1/4 | 1/4 |

CY1^BS 系列无杆气缸

CY1^BS Series Rodless Cylinder



订购码 | Ordering Code

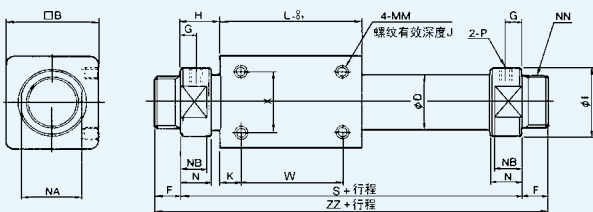
| | | | | |
|---|---|--|---------------------|------------|
| CDY1 | S | 25 | X | 300 |
| 开关导轨 无记号 - 无 D - 有 Magenta Track Blank: Without D: With | 气缸形式 B - 基本型 S - 滑尺型 (滑动轴承) Cylinder Type B: Standard S: Glide bearing | 缸径 Cylinder Bore 6-Φ6mm 10-Φ10mm 15-Φ15mm 20-Φ20mm 25-Φ25mm 32-Φ32mm 40-Φ40mm 50-Φ50mm 63-Φ63mm | 行程 Stroke | |

规格 | Specification

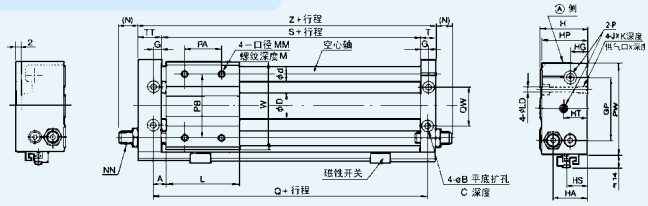
| | | | | | | | | | |
|---|---|----|----|-----------|----|----|-----------|----|----|
| 缸径/Bore (mm) | 6 | 10 | 15 | 20 | 25 | 32 | 40 | 50 | 63 |
| 流体/Fluid | 空气 Air | | | | | | | | |
| 动作形式/Motion Pattern | 双动 Double Action | | | | | | | | |
| 保证耐压力 Ensured pressure Resistance | 1.05MPa | | | | | | | | |
| 最高使用压力 (MPa) Max. Operating Pressure | 0.7MPa | | | | | | | | |
| 最低使用压力 (MPa) Min. Operating Pressure | 0.18MPa | | | | | | | | |
| 环境和流体温度 Condition and Medium Temperature | -10~60℃ (未冻结时 No freeze) | | | | | | | | |
| 活塞速度/min Working Frequency | 50~400mm/s | | | | | | | | |
| 缓冲/Buffer | 两端橡胶缓冲 Rubber Buffer | | | | | | | | |
| 行程公差/Stroke Allowable Error | 0~250: $^{+1.0}_0$, 251~1000: $^{+1.4}_0$, 1001~: $^{+1.8}_0$ | | | | | | | | |
| 润滑/Lubricate | 不需要 Not necessary | | | | | | | | |
| 接管口径/Port Size | M5X0.8 | | | Rc(PT)1/8 | | | Rc(PT)1/4 | | |

外形尺寸 | Overall Dimension

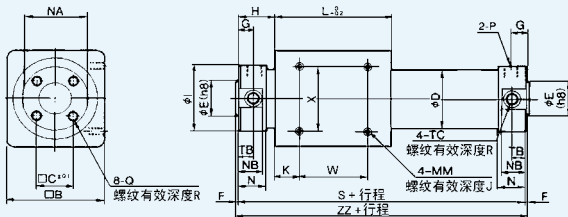
CY1B20.25.32.40



CY1S15.20.32.40



CY1B50.63



| 型号/Model | 行程范围 Stroke Range | ΦD | Φd | A | ΦB | C | HT | G | GP | H | HA | HG | HP | HS | T | JXK |
|----------|----------------------|------|----|------|-----|-----|----|------|-----|----|----|----|----|------|------|------------|
| CY1S15 | ~750 | 16.6 | 12 | 7.5 | 9.5 | 5 | 21 | 6.5 | 52 | 40 | 29 | 13 | 39 | 15 | 12.5 | M6X1.0X9.5 |
| CY1S20 | ~1500 | 21.6 | 16 | 10 | 9.5 | 5.2 | 20 | 8.5 | 62 | 46 | 36 | 17 | 45 | 25.5 | 16.5 | M6X1.0X9.5 |
| CY1S25 | ~1500 | 26.4 | 16 | 10 | 11 | 6.5 | 20 | 8.5 | 40 | 54 | 40 | 20 | 53 | 23 | 16.5 | M8X1.25X10 |
| CY1S32 | ~1500 | 33.6 | 20 | 12.5 | 14 | 8 | 24 | 9.5 | 86 | 66 | 46 | 24 | 64 | 27 | 18.5 | M10X1.5X15 |
| CY1S40 | ~1500 | 41.6 | 25 | 12.5 | 14 | 8 | 25 | 10.5 | 104 | 76 | 57 | 25 | 74 | 30 | 20.5 | M10X1.5X15 |

| 型号/Model | L | LD | M | MM | NN | (N) | P | PA | PB | PW | QW | Q | S | TT | Z | W |
|----------|----|-----|----|---------|---------|------|--------|----|-----|-----|----|-----|----|------|-----|-----|
| CY1S15 | 60 | 5.6 | 8 | M5X0.8 | M8X1.0 | 7.5 | M5X0.8 | 30 | 50 | 75 | 30 | 75 | 62 | 22.5 | 97 | 72 |
| CY1S20 | 70 | 5.6 | 10 | M6X1.0 | M10X1.0 | 9.5 | 1/8 | 40 | 70 | 90 | 38 | 90 | 73 | 25.5 | 115 | 87 |
| CY1S25 | 70 | 7 | 10 | M6X1.0 | M14X1.5 | 11 | 1/8 | 40 | 70 | 100 | 42 | 90 | 73 | 25.5 | 115 | 97 |
| CY1S32 | 85 | 8.7 | 12 | M8X1.25 | M20X1.5 | 11.5 | 1/8 | 40 | 75 | 122 | 50 | 110 | 91 | 28.5 | 138 | 119 |
| CY1S40 | 95 | 8.7 | 12 | M8X1.25 | M20X1.5 | 10.5 | 1/8 | 65 | 105 | 145 | 64 | 120 | 99 | 35.5 | 155 | 142 |

| 型号/Model | 行程范围 Stroke Range | 供气口 P | ΦB | ΦC | ΦD | ΦE (h8) | F | G | H | I | K | L | MMXJ | N | NA | NB | NN | QXR | S | TB | TCXR | W | X | ZZ |
|----------|----------------------|----------|-----|----|------|---------|----|----|------|------|----|-----|------------|----|----|----|---------|--------------|-----|----|--------------|----|----|-----|
| CY1B20 | ~2000 | 1/8 | 36 | - | 22.8 | - | 13 | 8 | 20 | 28 | 8 | 66 | M4X0.7X0.6 | 15 | 24 | 13 | M20X1.5 | - | 106 | - | - | 50 | 25 | 132 |
| CY1B25 | ~2000 | 1/8 | 46 | - | 27.8 | - | 13 | 8 | 20.5 | 34 | 10 | 70 | M5X0.8X8 | 15 | 30 | 13 | M26X1.5 | - | 111 | - | - | 50 | 30 | 137 |
| CY1B32 | ~2000 | 1/8 | 60 | - | 35 | - | 16 | 9 | 22 | 40 | 15 | 80 | M6X1.0X8 | 17 | 36 | 15 | M26X1.5 | - | 124 | - | - | 50 | 40 | 156 |
| CY1B40 | ~2000 | 1/4 | 70 | - | 43 | - | 16 | 11 | 29 | 50 | 16 | 92 | M6X1.0X10 | 21 | 46 | 19 | M32X2.0 | - | 150 | - | - | 60 | 40 | 182 |
| CY1B50 | ~2000 | 1/4 | 86 | 32 | 53 | 30 | 2 | 14 | 33 | 58.2 | 25 | 110 | M8X1.25X12 | 25 | 55 | 23 | - | M8X1.25X16 | 176 | 14 | M12X1.25X7.5 | 60 | 60 | 180 |
| CY1B63 | ~2000 | 1/4 | 100 | 38 | 66 | 32 | 2 | 14 | 33 | 72.2 | 26 | 122 | M8X1.25X12 | 25 | 69 | 23 | - | M10X1.5X11.5 | 188 | 14 | M14X1.5X11.5 | 70 | 70 | 192 |

ZNG40阻尼缸

ZNG40 Damping Cylinder

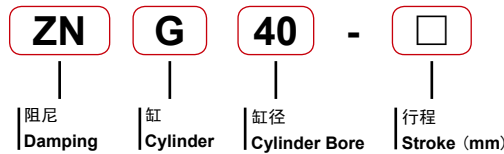
ZNG40阻尼缸是我公司自行开发研制的新产品，其结构新颖独特。该阻尼缸与气缸并联安装，整体长度比串联气液阻尼缸短，占有空间小，气与油不互窜。通过调节节流阀可以控制液体介质流量，使气缸达到均匀运动，并可获得较精确的快速退回。内部设有补油装置，无需用油杯外部补油，使用方便。本产品广泛用于要求运动速度可调、平稳的塑机和机械设备行业。

Our ZNG40 damping cylinder can parallel connect with pneumatic cylinder, the total length is shorter than series hydro-pneumatic damping and less space. The air and oil will not mix. You can adjust the flow according to the throttle valve so that the cylinder can work smoothly. The inner parts have the oil feedback design, it can work without feeding the oil from outside.

Our products worked in the area of speed adjustable, reliable plastic injection machine and other automatic equipment.



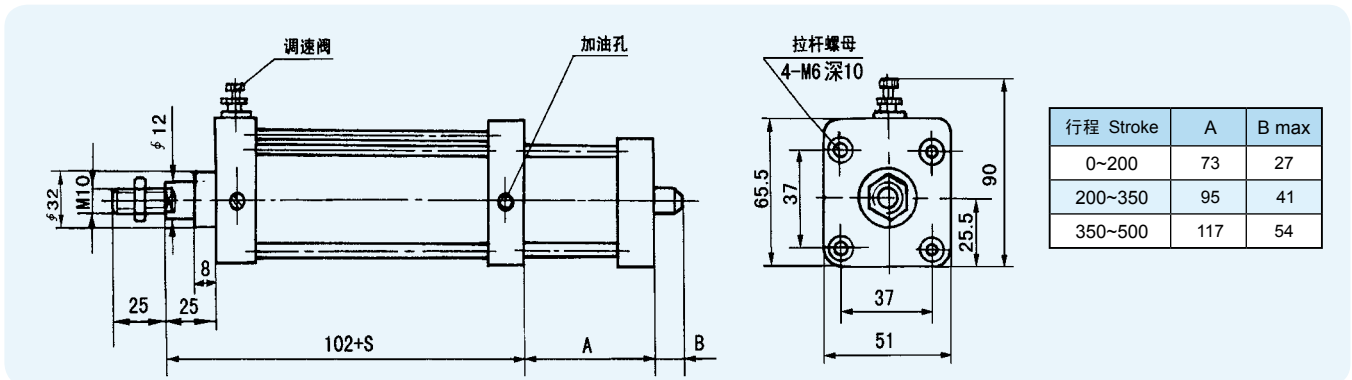
订购码 | Ordering Code



规格 | Specification

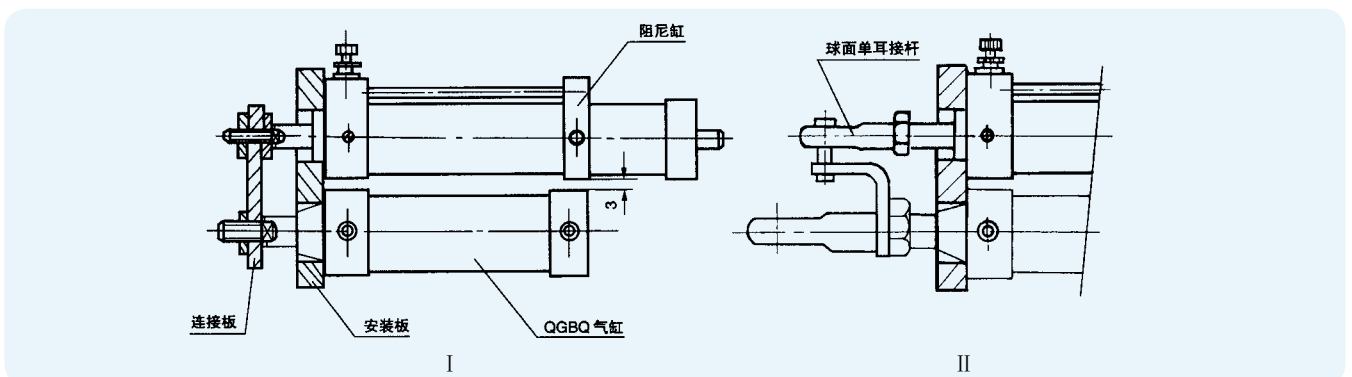
| | |
|--------------------------------------|-------------------------|
| 缸径 Bore (mm) | 40 |
| 速度范围 Speed Range (mm/s) | 0~100 |
| 阻尼介质 Damping Medium | YA-N32液压油 Hydraulic Oil |
| 适用温度 Suitable Temperature (°C) | 0~60 |
| 气缸压力范围 Cylinder Pressure Range (MPa) | 0.25~1.0 |

外形尺寸 | Overall Dimension



安装示意图 | Mounting diagrams

ZN阻尼缸可与QGBQ40~80气缸进行并联使用，见下图 I II。使气缸运动速度平稳，安装时注意阻尼缸与气缸轴线保持平行
 ZN damping cylinder can parallel working with QGBQ40~80 cylinders. When you mounted them, please keep the shaft of damping cylinder and pneumatic cylinder in paralleling. And also let the cylinder work smoothly.



磁感应开关

Magnetism Sensor Switch

| 型号 Model | 产品 Products | 接点型式 Contact Type | 使用电压 Working Voltage | 尺寸 Diameter | 适用气缸及沟槽 Apply cylinder & groove |
|------------------------|---|---|-------------------------|--|---|
| CHY-03 系列 Series |  | 有接点/磁簧管 A magnetic reed switch contact | 5~240V DC/AC |  | 适用于：圆形气缸、拉杆气缸 For: Round Cylinder, Tie-rod Cylinder  |
| | | 无接点/电晶体NPN输出 Contactless NPN transistors | 5~30V DC | | |
| | | 无接点/电晶体PNP输出 Contactless PNP transistors | | | |
| CHY-06 系列 Series |  | 有接点/磁簧管 A magnetic reed switch contact | 5~120V DC/AC |  | 适用于：亚德客、气立可、长拓 For: AIRTAC, CHELIC, MINDMA, CHANTO  |
| | | 无接点/电晶体NPN输出 Contactless NPN transistors | 5~30V DC | | |
| | | 无接点/电晶体PNP输出 Contactless PNP transistors | | | |
| CHY-07 系列 Series |  | 有接点/磁簧管 A magnetic reed switch contact | 5~120V DC/AC |  | 适用于：SMC、气立可、长拓(Ø4) For: SMC, CHELIC, CHANTO (Ø4)  |
| | | 无接点/电晶体NPN输出 Contactless NPN transistors | 5~30V DC | | |
| | | 无接点/电晶体PNP输出 Contactless PNP transistors | | | |
| CHY-08 系列 Series |  | 有接点/磁簧管 A magnetic reed switch contact | 5~240V DC/AC |  |  管夾請使用非導磁性材質 |
| | | 无接点/电晶体NPN输出 Contactless NPN transistors | 5~30V DC | | |
| | | 无接点/电晶体PNP输出 Contactless PNP transistors | | | |
| CHY-09 系列 Series |  | 有接点/磁簧管 A magnetic reed switch contact | 5~240V DC/AC |  |  |
| | | 无接点/电晶体NPN输出 Contactless NPN transistors | 5~30V DC | | |
| | | 无接点/电晶体PNP输出 Contactless PNP transistors | | | |
| CHY-11 系列 Series |  | 有接点/磁簧管 A magnetic reed switch contact | 5~240V DC/AC |  | 适用于：亚德客、气立可、长拓、金器 For: AIRTAC, CHELIC, CHANTO, MINDMA  |
| | | 无接点/电晶体NPN输出 Contactless NPN transistors | 5~30V DC | | |
| | | 无接点/电晶体PNP输出 Contactless PNP transistors | | | |
| CHY-12 系列 Series |  | 有接点/磁簧管 A magnetic reed switch contact | 5~120V DC/AC |  | 适用于：KOGANEI, MINDMAN  |
| | | 无接点/电晶体NPN输出 Contactless NPN transistors | 5~30V DC | | |
| | | 无接点/电晶体PNP输出 Contactless PNP transistors | | | |
| CHY-15 系列 Series |  | 有接点/磁簧管 A magnetic reed switch contact | 5~240V DC/AC |  | 适用于：圆形气缸、拉杆气缸 For: Round Cylinder, Tie-rod Cylinder  |
| | | 无接点/电晶体NPN输出 Contactless NPN transistors | 5~30V DC | | |
| | | 无接点/电晶体PNP输出 Contactless PNP transistors | | | |
| CHY-16 系列 Series |  | 有接点/磁簧管 A magnetic reed switch contact | 5~120V DC/AC |  | 适用于：SMC、气立可、长拓(Ø4) For: SMC, CHELIC, CHANTO (Ø4)  |
| | | 无接点/电晶体NPN输出 Contactless NPN transistors | 5~30V DC | | |
| | | 无接点/电晶体PNP输出 Contactless PNP transistors | | | |
| CHY-20 系列 Series |  | 有接点/磁簧管 A magnetic reed switch contact | 5~240V DC/AC |  | PAB固定钢带 PN固定钢带 PI固定夹具 PM固定夹具 PAC固定夹具  |
| | | 无接点/电晶体NPN输出 Contactless NPN transistors | 5~30V DC | | |
| | | 无接点/电晶体PNP输出 Contactless PNP transistors | | | |

A

磁感应开关

Magnetism Sensor Switch

| 型号 Model | 产品 Products | 接点型式 Contact Type | 使用电压 Working Voltage | 尺寸 Diameter | 适用气缸及沟槽 Apply cylinder & groove |
|------------------------|----------------|---|-------------------------|----------------|---|
| CHY-21 系列 Series | | 有接点/磁簧管 A magnetic reed switch contact | 5~240V DC/AC | | PAB固定钢带 PN固定钢带 PI固定夹具 PM固定夹具 PAC固定夹具 |
| | | 无接点/晶体管NPN输出 Contactless NPN transistors | 5~30V DC | | |
| | | 无接点/晶体管PNP输出 Contactless PNP transistors | | | |
| CHY-31 系列 Series | | 有接点/磁簧管 A magnetic reed switch contact | 5~120V DC/AC | | 适用于: FESTO |
| | | 无接点/晶体管NPN输出 Contactless NPN transistors | 5~30V DC | | |
| | | 无接点/晶体管PNP输出 Contactless PNP transistors | | | |
| CHY-32 系列 Series | | 有接点/磁簧管 A magnetic reed switch contact | 5~240V DC/AC | | 适用于: SMC, FESTO |
| | | 无接点/晶体管NPN输出 Contactless NPN transistors | 5~30V DC | | |
| | | 无接点/晶体管PNP输出 Contactless PNP transistors | | | |
| CHY-35 系列 Series | | 有接点/磁簧管 A magnetic reed switch contact | 5~240V DC/AC | | 适用于: SMC, FESTO |
| | | 无接点/晶体管NPN输出 Contactless NPN transistors | 5~30V DC | | |
| | | 无接点/晶体管PNP输出 Contactless PNP transistors | | | |
| CHY-40 系列 Series | | 有接点/磁簧管 A magnetic reed switch contact | 5~240V DC/AC | | 适用于: ORIGA |
| | | 无接点/晶体管NPN输出 Contactless NPN transistors | 5~30V DC | | |
| | | 无接点/晶体管PNP输出 Contactless PNP transistors | | | |
| CHY-72 系列 Series | | 有接点/磁簧管 A magnetic reed switch contact | 5~240V DC/AC | | 适用于: SMC气缸沟槽 |
| | | 无接点/晶体管NPN输出 Contactless NPN transistors | 5~30V DC | | |
| | | 无接点/晶体管PNP输出 Contactless PNP transistors | | | |

| 产品 Products | 名称 Products | 钢带型式 Metal Strip Model | 示意图 Sketch Map | | |
|----------------|---------------------|---------------------------|-------------------|-----|-------------|
| | 固定钢带 Metal Strip | BK固定带系列 | BK系列 Series | PAB | PN系列 Series |
| | | PAB固定钢带 | | | |
| | | PN固定带系列 | | | |
| 产品 Products | 名称 Products | 夹具型式 Clamp Model | 示意图 Sketch Map | | |
| | 固定夹具 Clamp | PI夹具系列 Clamp Series | PI系列 Series | PAC | PM系列 Series |
| | | PAC夹具 Clamp | | | |
| | | PM夹具系列 Clamp Series | | | |

4V100系列电磁阀、气控阀

4V100 Series Solenoid Valve, Pneumatic Control Valve



订购码 | Ordering Code

| | | | | | | | | | |
|---|--|---|---|---|---|---|---------------|---|----------|
| 4V | 1 | 10 | - | 06 | B | - | AC220V | - | W |
| 规格代码 4V:二(三)位五通电磁阀 4A:二(三)位五通气控阀 3V:二位三通电磁阀 3A:二位三通气控阀 Model 4V:Two (Three)-position Five-way Solenoid Valve 4A:Two (Three)-position Five-way Pneumatic Control Valve 3V:Two-position Three-way Solenoid Valve 3A:Two-position Three-way Pneumatic Control Valve | 系列代码 100系列 Body Size 100 Series | 线圈及位数 10:单头双位置 20:双头双位置 30C:双头三位置封闭型 30E:双头三位置排气型 30P:双头三位置压力型 Coil and Places 10:Single-head Double-position 20:Double-head Double-position 30C:Double-head Three-position Exhaust Type 30E:Double-head Three-position Pressure Type | 接管口径 Port Size M5: M5X0.8 06: 1/8" | 接管形式及初始状态 空白:管接式 B:二位五通板接式 三位五通板接式 NC:二位三通常闭型 NO:二位三通常开型 Joint Pipe Form and Initial State Blank:Pipe Connection Type B:Two-position Five-way Plate Connection Type Three-position Five-way Plate Connection Type NC:Two-position Three-way Normal Close Type NO:Two-position Three-way Normal Open Type | 标准电压 Standard Voltage DC12V DC24V AC24V 50Hz/60Hz AC110V 50Hz/60Hz AC220V 50Hz/60Hz AC380V 50Hz/60Hz | 接线形式 空白:标准端子式 LD:茶色带灯端子式 LD:白色带灯端子式 W:引线式 Wiring Form Blank:standard Connector LD:Brown with Lighting Connector LD:White with Lighting Connector W: Lead Wire Type | | | |

规格 | Specification

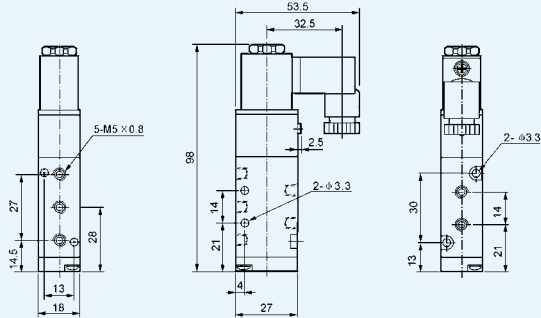
| | | | | |
|---|--|---------------------------------|--|---------------------------------|
| 型号 Model | 4V110-M5 4V120-M5 | 4V130C-M5 4V130E-M5 4V130P-M5 | 4V110-06 4V120-06 | 4V130C-06 4V130E-06 4V130P-06 |
| | 4A110-M5 4A120-M5 | 4A130C-M5 4A130E-M5 4A130P-M5 | 4A110-06 4A120-06 | 4A130C-06 4A130E-06 4A130P-06 |
| 位通数 Position and Way NO. | 二位五通 Two-position Five-way | 三位五通 Three-position Five-way | 二位五通 Two-position Five-way | 三位五通 Three-position Five-way |
| 有效截面积 Effective Sectional Area | 10mm ² (CV=0.56) | 7mm ² (CV=0.40) | 12mm ² (CV=0.67) | 9mm ² (CV=0.5) |
| 型号 Model | 3V110-M5 3V120-M5 3A110-M5 3A120-M5 | | 3V110-06 3V120-06 3A110-06 3A120-06 | |
| 位通数 Position and Way NO. | 二位三通 Two-position Three-way | | 二位三通 Two-position Three-way | |
| 有效截面积 Effective Sectional Area | 10mm ² (CV=0.56) | | 12mm ² (CV=0.67) | |
| 接管口径 Port Size | 进气=出气=排气=M5×0.8 Air Inlet=Air Outlet=Exhaust=M5×0.8 | | 进气=出气=排气=G1/8" Air Inlet=Air Outlet=Exhaust=G1/8" | |
| 工作介质 Working Medium | 经40微米过滤的空气 40 Micron Filtered Air | | | |
| 动作方式 Motion Pattern | 内部先导式 Inner Guide Type | | | |
| 使用压力 Working-pressure | 0.15~0.8MPa | | | |
| 最大耐压力 Max. Pressure Resistance | 1.2MPa | | | |
| 工作温度 Operating Temperature | 5~50℃ | | | |
| 电压范围 Voltage Range | ±10% | | | |
| 耗电量 Power Consumption | AC: 2.5VA DC: 2.5W | | | |
| 绝缘性及防护等级 Insulation & Protection Class | F级. IP65 F Class. IP65 | | | |
| 接线形式 Wiring Form | 出线式或端子式 Lead Wire or Connector type | | | |
| 最高动作频率 Highest Action Frequency | 每秒五次 5 Cycle / Sec | | | |
| 最短励磁时间 Shortest Excitation Time | 0.05秒 0.05 Second | | | |

4V100系列电磁阀、气控阀

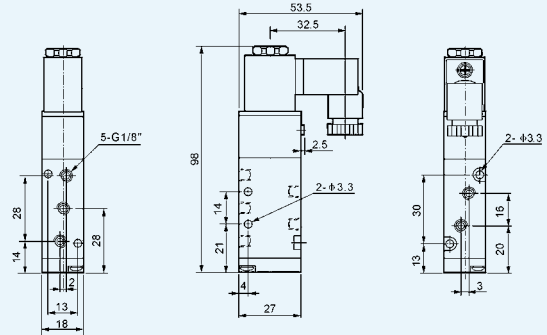
4V100 Series Solenoid Valve, Pneumatic Control Valve

外形尺寸 | Overall Dimension

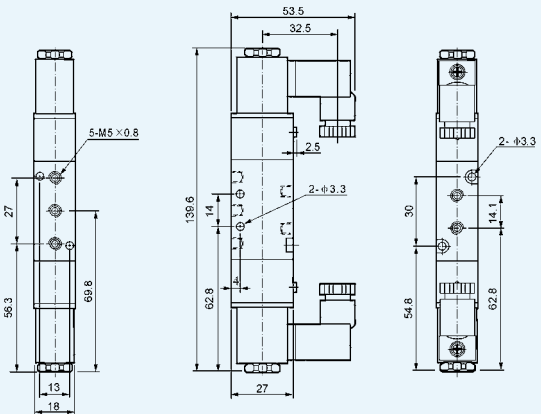
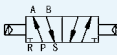
4V110-M5



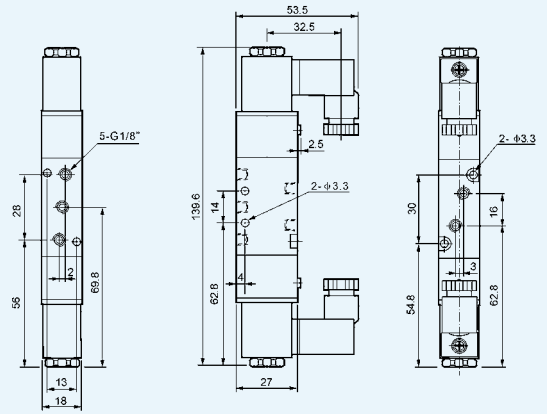
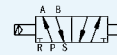
4V110-06



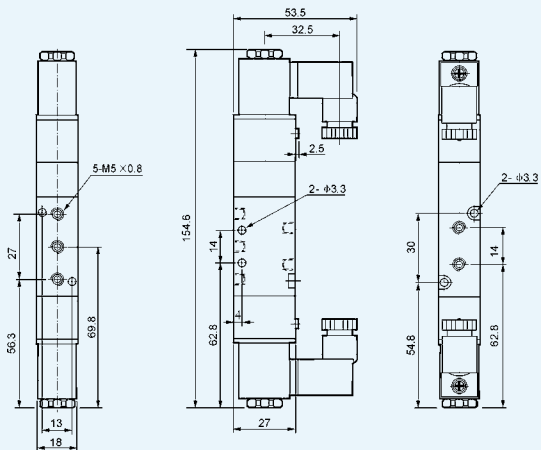
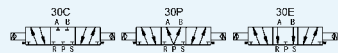
4V120-M5



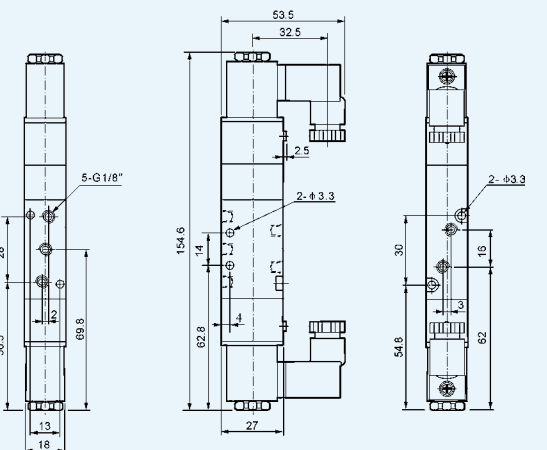
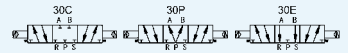
4V120-06



4V130-M5



4V130-06

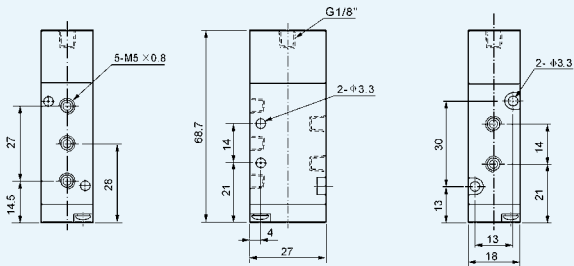


4V100系列电磁阀、气控阀

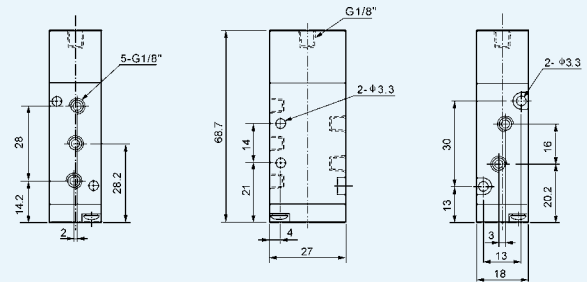
4V100 Series Solenoid Valve, Pneumatic Control Valve

外形尺寸 | Overall Dimension

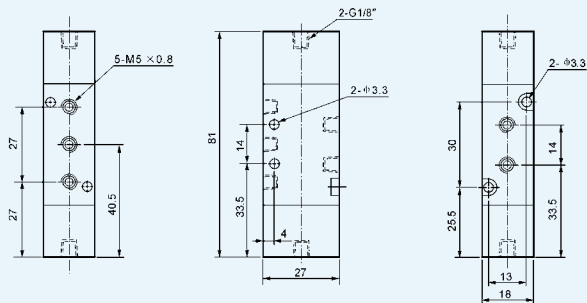
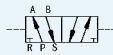
4A110-M5



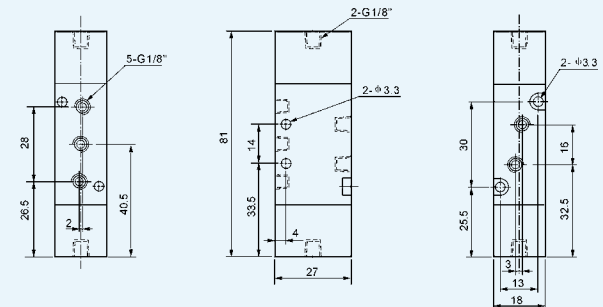
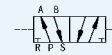
4A110-06



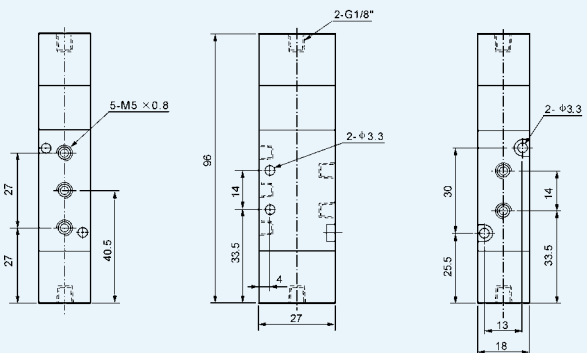
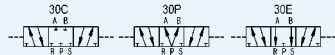
4A120-M5



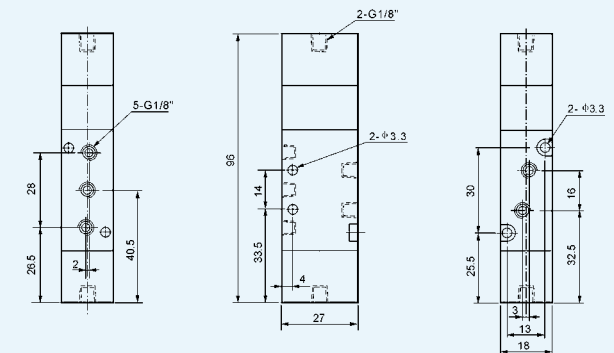
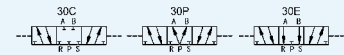
4A120-06



4A130-M5



4A130-06



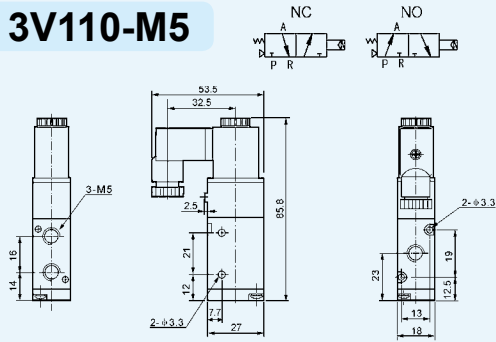
B

4V100系列电磁阀、气控阀

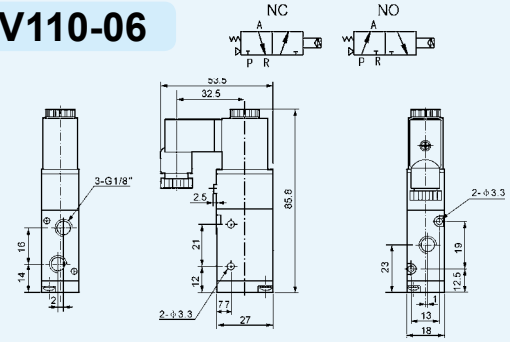
4V100 Series Solenoid Valve, Pneumatic Control Valve

外形尺寸 | Overall Dimension

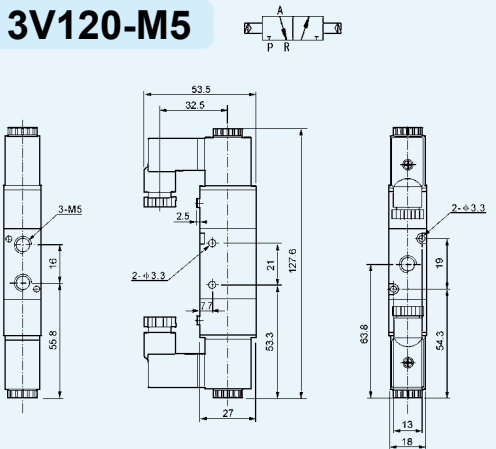
3V110-M5



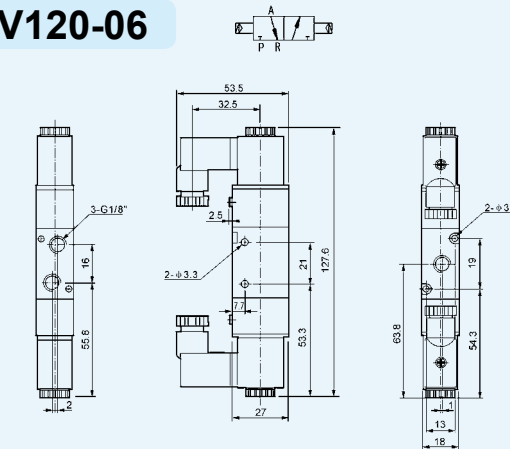
3V110-06



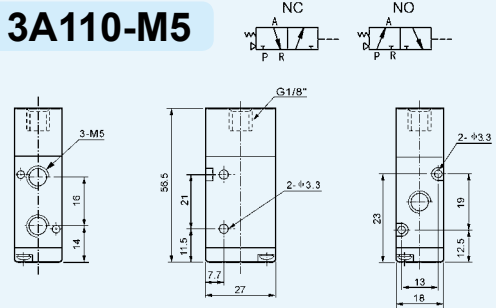
3V120-M5



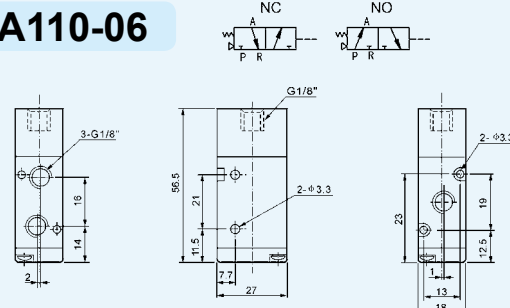
3V120-06



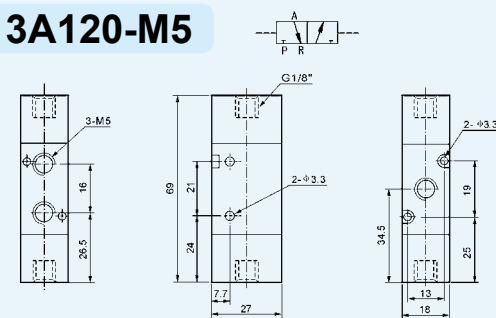
3A110-M5



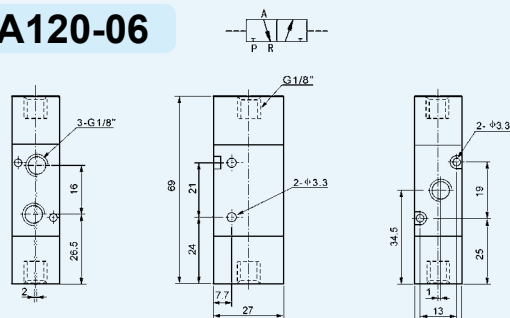
3A110-06



3A120-M5



3A120-06



4V200系列电磁阀、气控阀

4V200 Series Solenoid Valve, Pneumatic Control Valve



订购码 | Ordering Code

| | | | | | | | | |
|---|--|--|---|---|---|---|---|----------|
| 4V | 2 | 10 | - | 08 | B | AC220V | - | W |
| 规格代码 4V:二(三)位五通电磁阀 4A:二(三)位五通气控阀 3V:二位三通电磁阀 3A:二位三通气控阀 Model 4V:Two (Three)-position Five-way Solenoid Valve 4A:Two (Three)-position Five-way Pneumatic Control Valve 3V:Two-position Three-way Solenoid Valve 3A:Two-position Three-way Pneumatic Control Valve | 系列代码 200系列 Body Size 200 Series | 线圈及位数 10:单头双位置 20:双头双位置 30C:双头三位置封闭型 30E:双头三位置排气型 30P:双头三位置压力型 Coil and Places 10:Single-head Double-position 20:Double-head Double-position 30C:Double-head Three-position Close Type 30E:Double-head Three-position Exhaust Type 30P:Double-head Three-position Pressure Type | 接管口径 Port Size 06: 1/8" 08: 1/4" | 接管形式及初始状态 空白:管接式 B:二位五通板接式 三位五通板接式 NC:二位三通常闭型 NO:二位三通常开型 Joint Pipe Form and Initial State Blank:Pipe Connection Type B:Two-position Five-way Plate Connection Type Three-position Five-way Plate Connection Type NC:Two-position Three-way Normal Close Type NO:Two-position Three-way Normal Open Type | 标准电压 Standard Voltage DC12V DC24V AC24V 50Hz/60Hz AC110V 50Hz/60Hz AC220V 50Hz/60Hz AC380V 50Hz/60Hz | 接线形式 空白:标准端子式 LD:茶色带灯端子式 LD:白色带灯端子式 W:引线式 Wiring Form Blank:standard Connector LD:Brown with Lighting Connector LD:White with Lighting Connector W: Lead Wire Type | | |



规格 | Specification

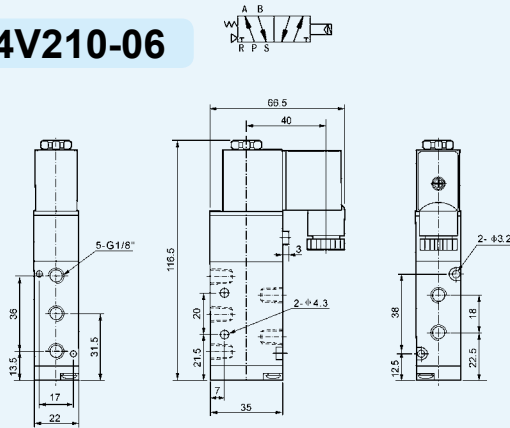
| | | | | |
|---|--|-------------------------------|--|-------------------------------|
| 型号 Model | 4V210-06 4V220-06 | 4V230C-06 4V230E-06 4V230P-06 | 4V210-08 4V220-08 | 4V230C-08 4V230E-08 4V230P-08 |
| | 4A210-06 4A220-06 | 4A230C-06 4A230E-06 4A230P-06 | 4A210-08 4A220-08 | 4A230C-08 4A230E-08 4A230P-08 |
| 位通数 Position and Way NO. | 二位五通 Two-position Five-way | | 三位五通 Three-position Five-way | |
| 有效截面积 Effective Sectional Area | 14mm ² (CV=0.78) | | 12mm ² (CV=0.67) | |
| 型号 Model | 3V210-06 3V220-06 | 3A210-06 3A220-06 | 3V210-08 3V220-08 | 3A210-08 3A220-08 |
| 位通数 Position and Way NO. | 二位三通 Two-position Three-way | | 二位三通 Two-position Three-way | |
| 有效截面积 Effective Sectional Area | 14mm ² (CV=0.78) | | 16mm ² (CV=0.89) | |
| 接管口径 Port Size | 进气=出气=排气=G1/8" Air Inlet=Air Outlet=Exhaust=G1/8" | | 进气=出气=G1/4" 排气=G1/8" Air Inlet=Air Outlet=G1/4" Exhaust=G1/8" | |
| 工作介质 Working Medium | 经40微米过滤的空气 40 Micron Filtered Air | | | |
| 动作方式 Motion Pattern | 内部先导式 Inner Guide Type | | | |
| 使用压力 Working-pressure | 0.15~0.8MPa | | | |
| 最大耐压力 Max. Pressure Resistance | 1.2MPa | | | |
| 工作温度 Operating Temperature | 5~50℃ | | | |
| 电压范围 Voltage Range | ±10% | | | |
| 耗电量 Power Consumption | AC: 4.5VA DC: 3W | | | |
| 绝缘性及防护等级 Insulation & Protection Class | F级. IP65 F Class. IP65 | | | |
| 接线形式 Wiring Form | 出线式或端子式 Lead Wire or Connector type | | | |
| 最高动作频率 Highest Action Frequency | 每秒五次 5 Cycle / Sec | | | |
| 最短励磁时间 Shortest Excitation Time | 0.05秒 0.05 Second | | | |

4V200系列电磁阀、气控阀

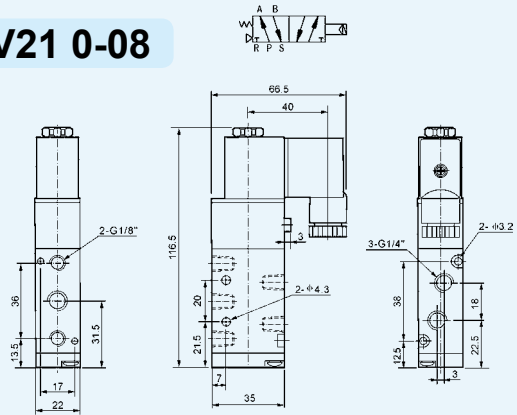
4V200 Series Solenoid Valve, Pneumatic Control Valve

外形尺寸 | Overall Dimension

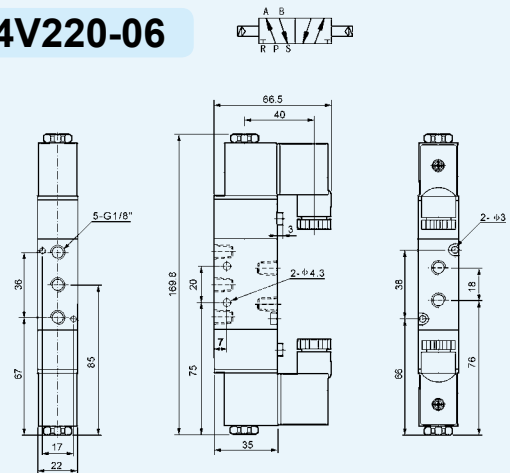
4V210-06



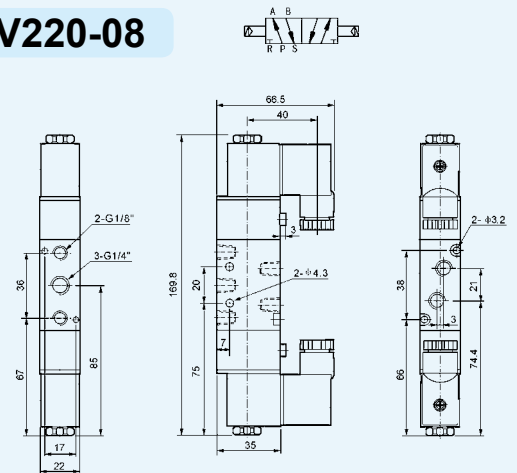
4V210-08



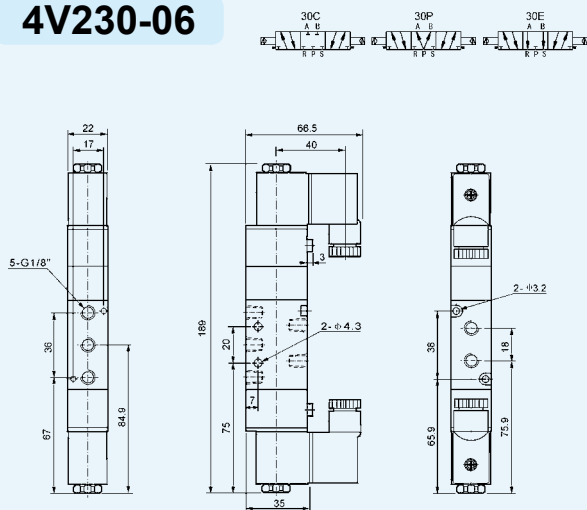
4V220-06



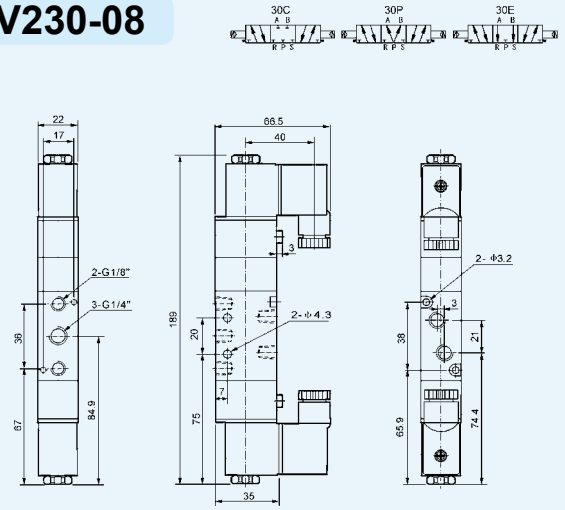
4V220-08



4V230-06



4V230-08

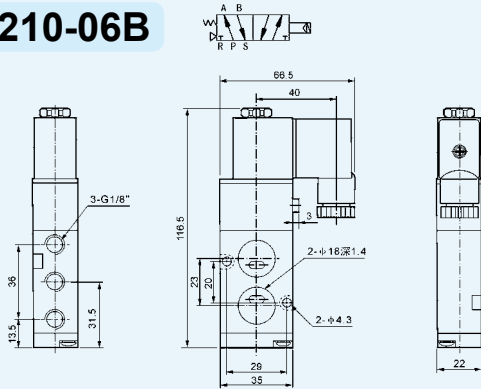


4V200系列电磁阀、气控阀

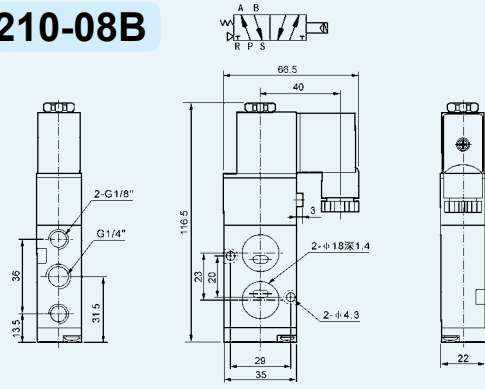
4V200 Series Solenoid Valve, Pneumatic Control Valve

外形尺寸 | Overall Dimension

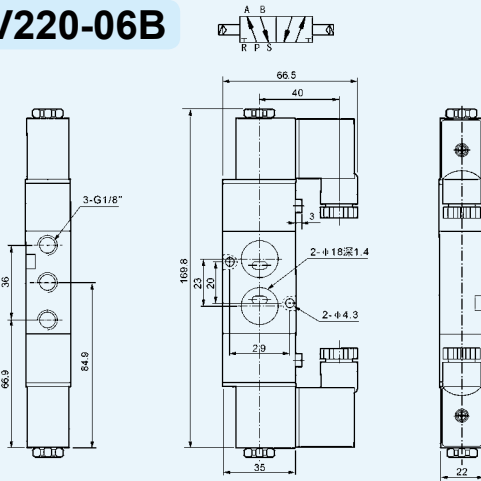
4V210-06B



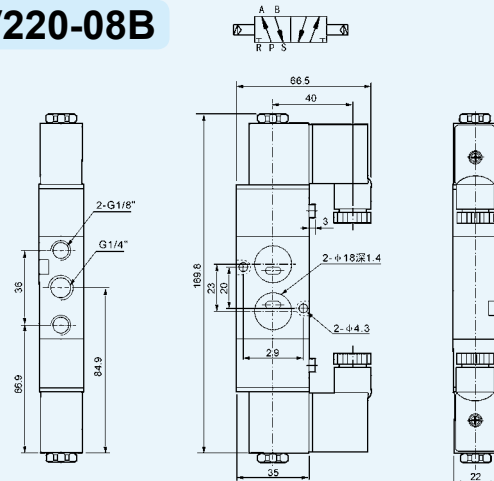
4V210-08B



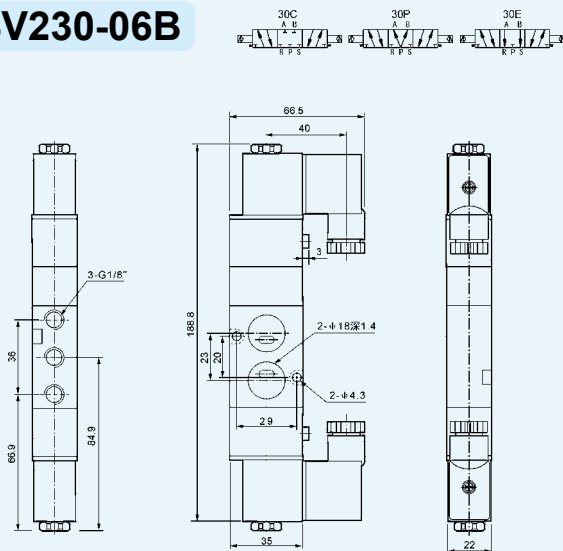
4V220-06B



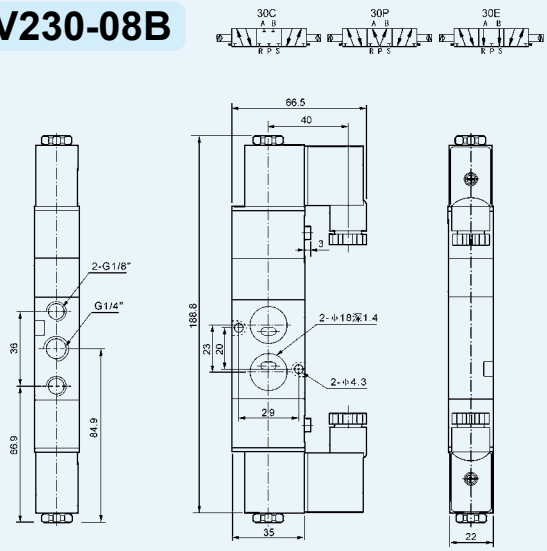
4V220-08B



4V230-06B



4V230-08B



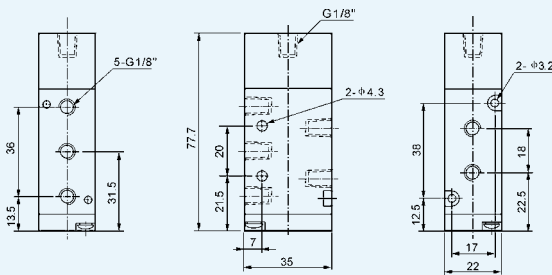
B

4V200系列电磁阀、气控阀

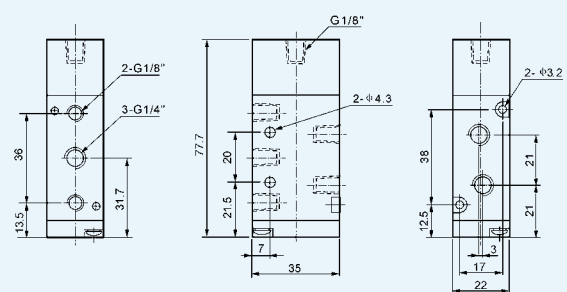
4V200 Series Solenoid Valve, Pneumatic Control Valve

外形尺寸 | Overall Dimension

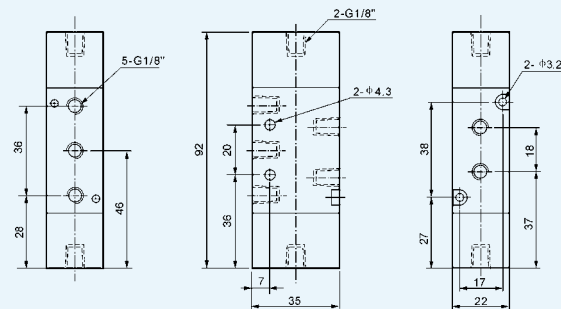
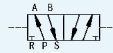
4A210-06



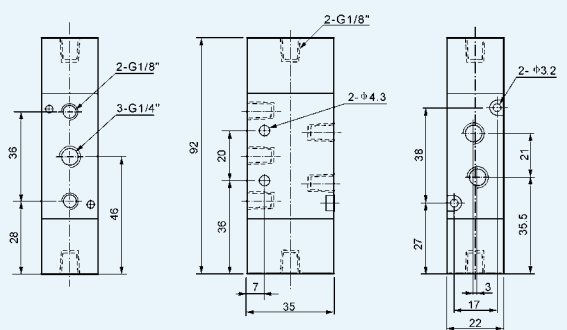
4A210-08



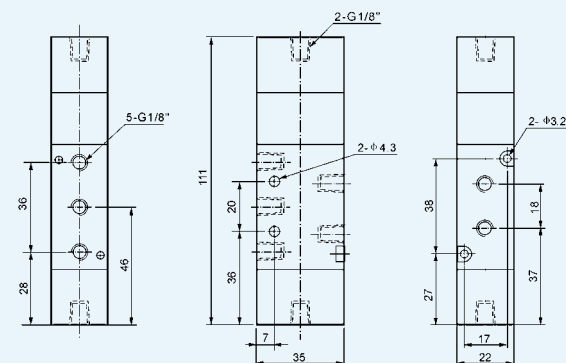
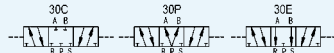
4A220-06



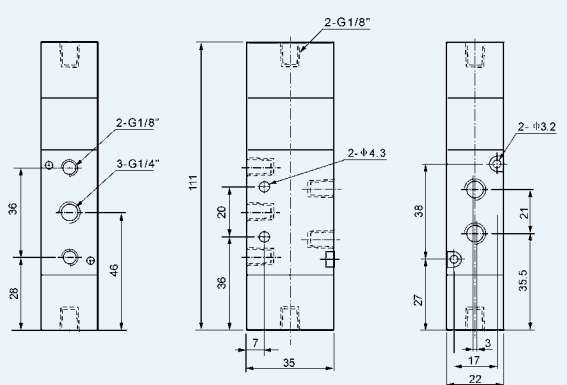
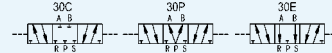
4A220-08



4A230-06



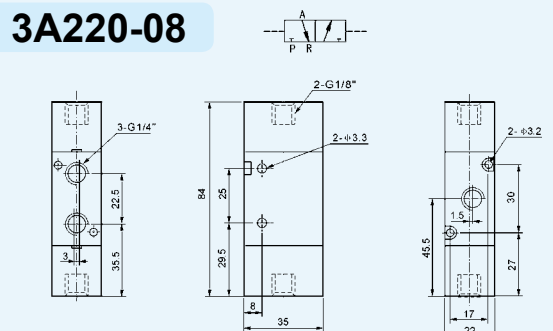
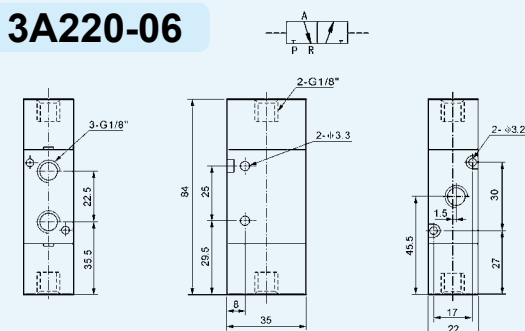
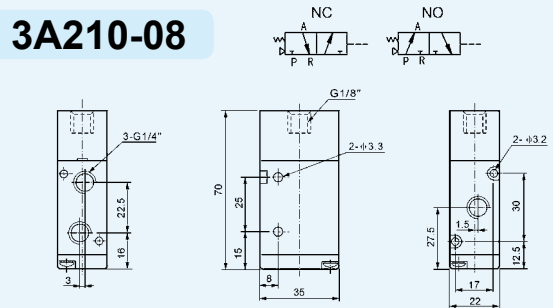
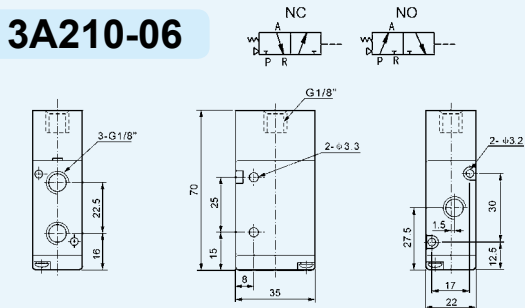
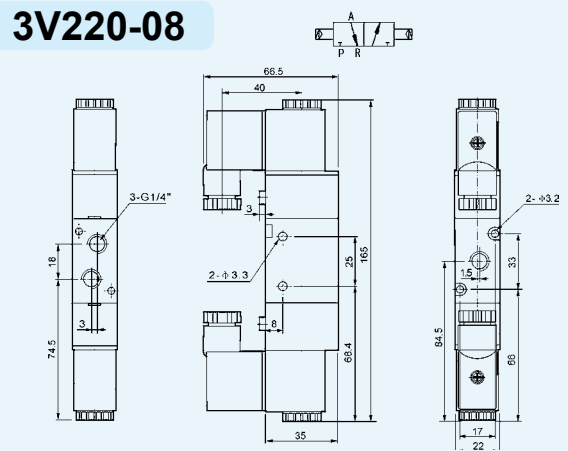
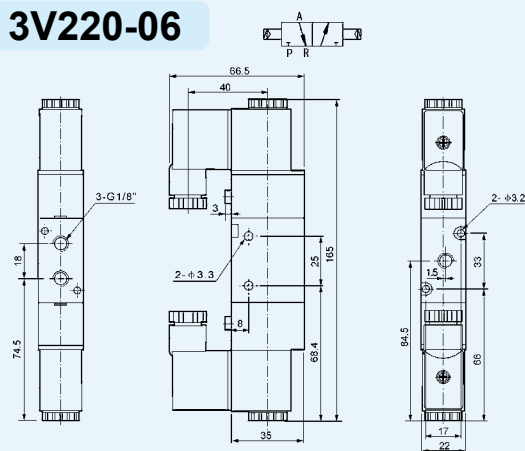
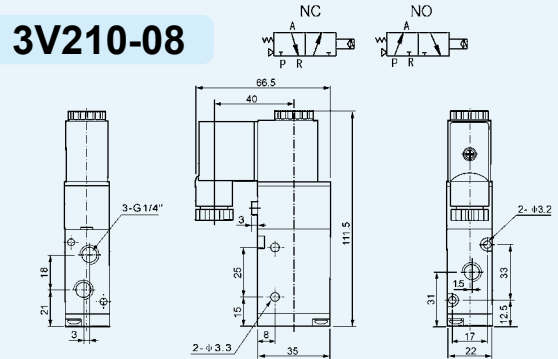
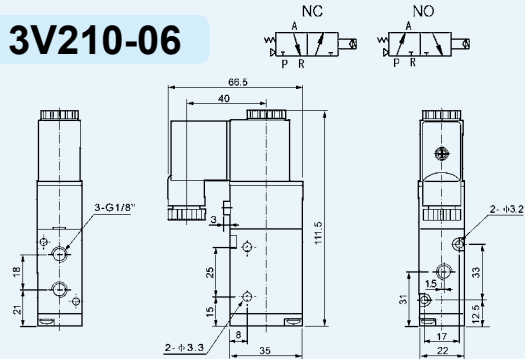
4A230-08



4V200系列电磁阀、气控阀

4V200 Series Solenoid Valve, Pneumatic Control Valve

外形尺寸 | Overall Dimension



B

4V300系列电磁阀、气控阀

4V300 Series Solenoid Valve, Pneumatic Control Valve



订购码 | Ordering Code

| | | | | | | | | |
|---|--|--|---|---|---|---|---|----------|
| 4V | 3 | 10 | - | 10 | B | AC220V | - | W |
| 规格代码 4V:二(三)位五通电磁阀 4A:二(三)位五通气控阀 3V:二位三通电磁阀 3A:二位三通气控阀 Model 4V:Two (Three)-position Five-way Solenoid Valve 4A:Two (Three)-position Five-way Pneumatic Control Valve 3V:Two-position Three-way Solenoid Valve 3A:Two-position Three-way Pneumatic Control Valve | 系列代码 300系列 Body Size 300 Series | 线圈及位数 10:单头双位置 20:双头双位置 30C:双头三位置封闭型 30E:双头三位置排气型 30P:双头三位置压力型 Coil and Places 10:Single-head Double-position 20:Double-head Double-position 30C:Double-head Three-position Close Type 30E:Double-head Three-position Exhaust Type 30P:Double-head Three-position Pressure Type | 接管口径 Port Size 08: 1/4" 10: 3/8" | 接管形式及初始状态 空白:管接式 B:二位五通板接式 三位五通板接式 NC:二位三通常闭型 NO:二位三通常开型 Joint Pipe Form and Initial State Blank:Pipe Connection Type B:Two-position Five-way Plate Connection Type Three-position Five-way Plate Connection Type NC:Two-position Three-way Normal Close Type NO:Two-position Three-way Normal Open Type | 标准电压 Standard Voltage DC12V DC24V AC24V 50Hz/60Hz AC110V 50Hz/60Hz AC220V 50Hz/60Hz AC380V 50Hz/60Hz | 接线形式 空白:标准端子式 LD:茶色带灯端子式 LD:白色带灯端子式 W:引线式 Wiring Form Blank:standard Connector LD:Brown with Lighting Connector LD:White with Lighting Connector W: Lead Wire Type | | |

规格 | Specification

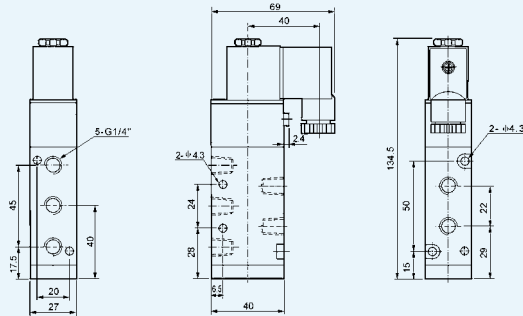
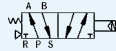
| | | | | |
|---|--|-------------------------------|--|-------------------------------|
| 型号 Model | 4V310-08 4V320-08 | 4V330C-08 4V330E-08 4V330P-08 | 4V310-10 4V320-10 | 4V330C-10 4V330E-10 4V330P-10 |
| | 4A310-08 4V320-08 | 4A330C-08 4A330E-08 4A330P-08 | 4A310-10 4A320-10 | 4A330C-10 4A330E-10 4A330P-10 |
| 位通数 Position and Way NO. | 二位五通 Two-position Five-way | | 三位五通 Three-position Five-way | |
| 有效截面积 Effective Sectional Area | 25mm ² (CV=1.40) | | 30mm ² (CV=1.68) | |
| 型号 Model | 3V310-08 3V320-08 | 3A310-08 3A320-08 | 3V310-10 3V320-10 | 3A310-10 3A320-10 |
| 位通数 Position and Way NO. | 二位三通 Two-position Three-way | | 二位三通 Two-position Three-way | |
| 有效截面积 Effective Sectional Area | 25mm ² (CV=1.40) | | 30mm ² (CV=1.68) | |
| 接管口径 Port Size | 进气=出气=排气=G1/4" Air Inlet=Air Outlet=Exhaust=G1/4" | | 进气=出气=G3/8" 排气=G1/4" Air Inlet=Air Outlet=G3/8" Exhaust=G1/4" | |
| 工作介质 Working Medium | 经40微米过滤的空气 40 Micron Filtered Air | | | |
| 动作方式 Motion Pattern | 内部先导式 Inner Guide Type | | | |
| 使用压力 Working-pressure | 0.15~0.8MPa | | | |
| 最大耐压力 Max. Pressure Resistance | 1.2MPa | | | |
| 工作温度 Operating Temperature | 5~50℃ | | | |
| 电压范围 Voltage Range | ±10% | | | |
| 耗电量 Power Consumption | AC: 4.5VA DC: 3W | | | |
| 绝缘性及防护等级 Insulation & Protection Class | F级. IP65 F Class. IP65 | | | |
| 接线形式 Wiring Form | 出线式或端子式 Lead Wire or Connector type | | | |
| 最高动作频率 Highest Action Frequency | 每秒五次 5 Cycle / Sec | | | |
| 最短励磁时间 Shortest Excitation Time | 0.05秒 0.05 Second | | | |

4V300系列电磁阀、气控阀

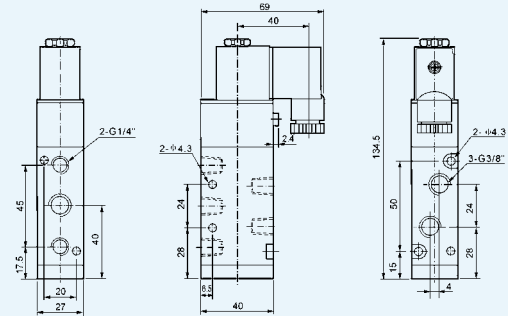
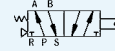
4V300 Series Solenoid Valve, Pneumatic Control Valve

外形尺寸 | Overall Dimension

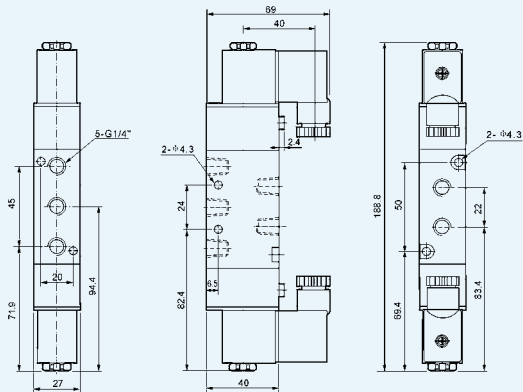
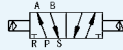
4V310-08



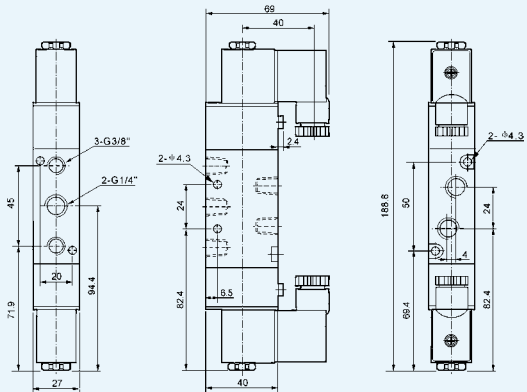
4V310-10



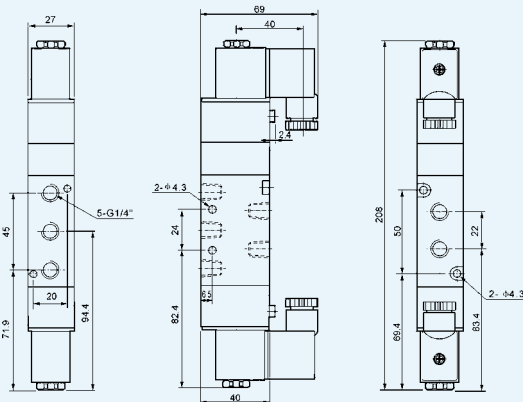
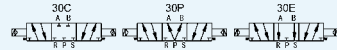
4V320-08



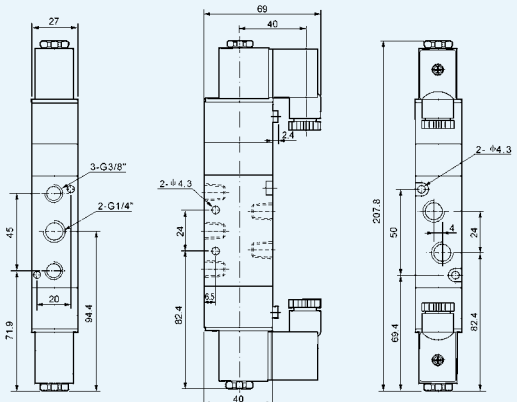
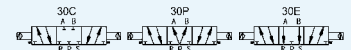
4V320-10



4V330-08



4V330-10



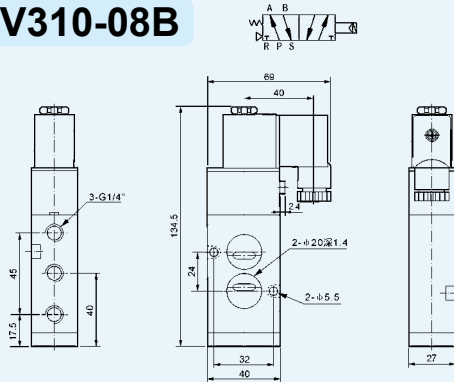
B

4V300系列电磁阀、气控阀

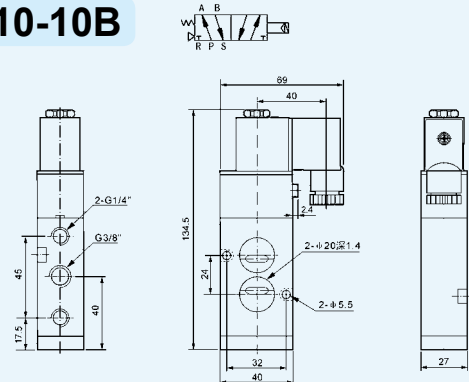
4V300 Series Solenoid Valve, Pneumatic Control Valve

外形尺寸 | Overall Dimension

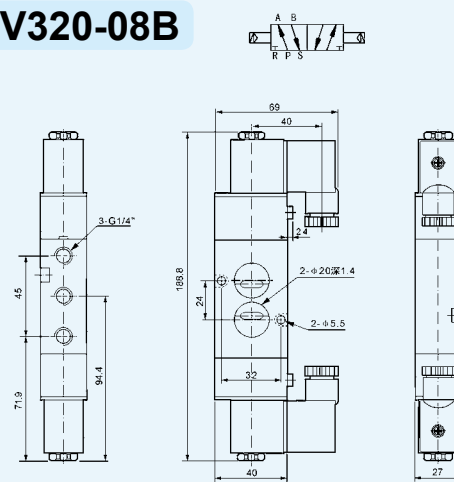
4V310-08B



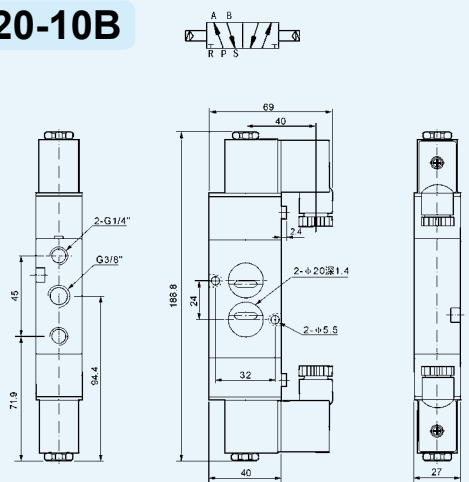
4V310-10B



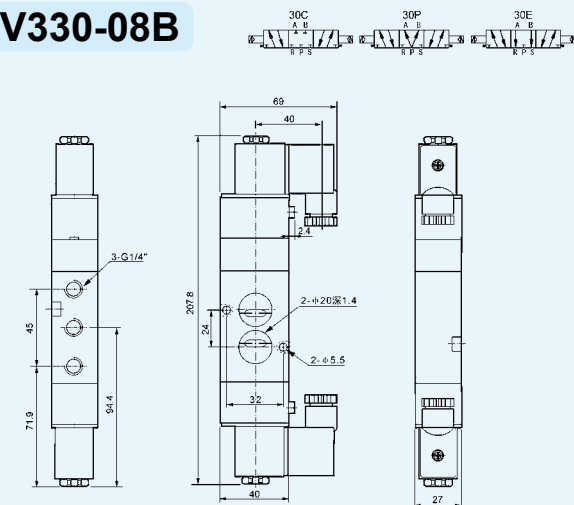
4V320-08B



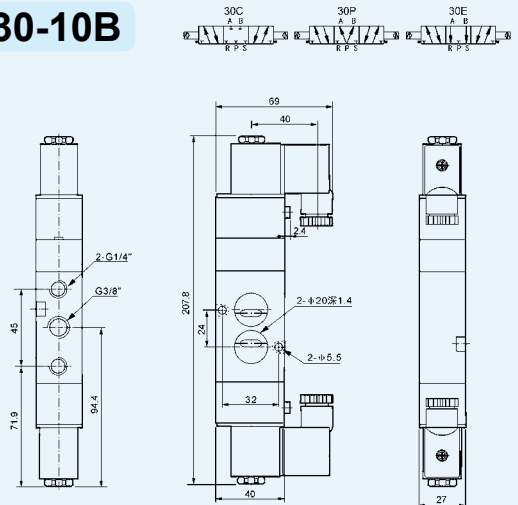
4V320-10B



4V330-08B



4V330-10B

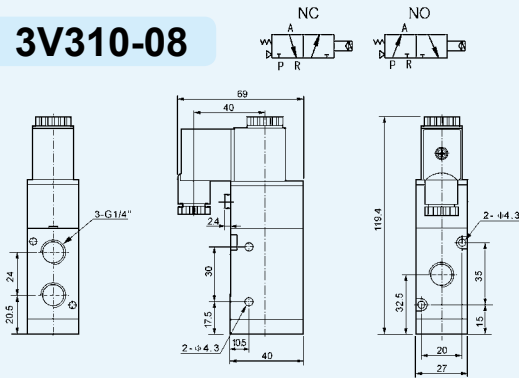


4V300系列电磁阀、气控阀

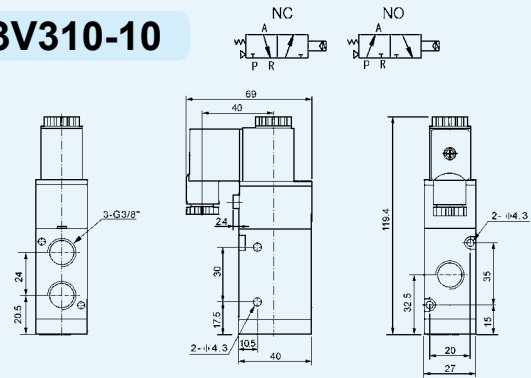
4V300 Series Solenoid Valve, Pneumatic Control Valve

外形尺寸 | Overall Dimension

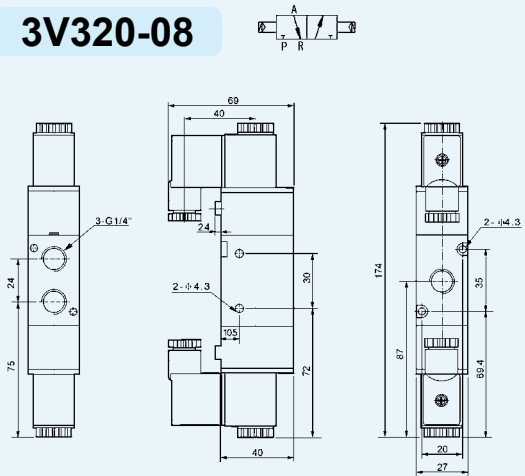
3V310-08



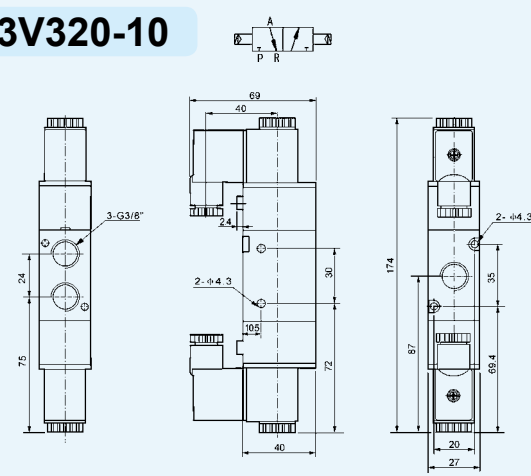
3V310-10



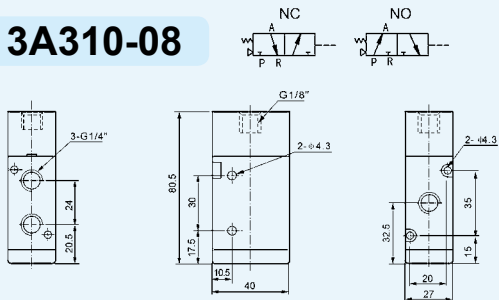
3V320-08



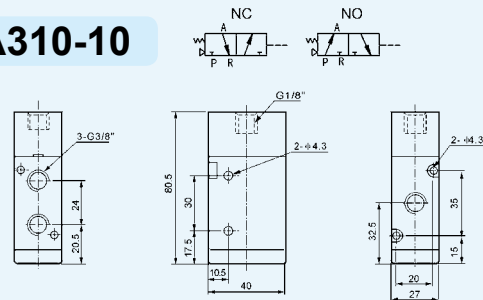
3V320-10



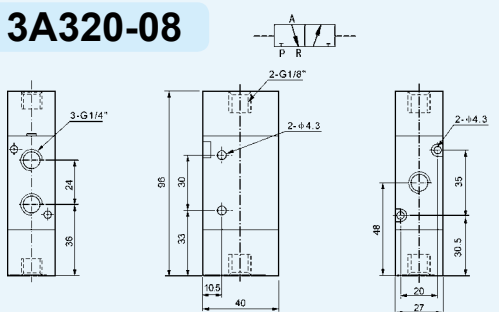
3A310-08



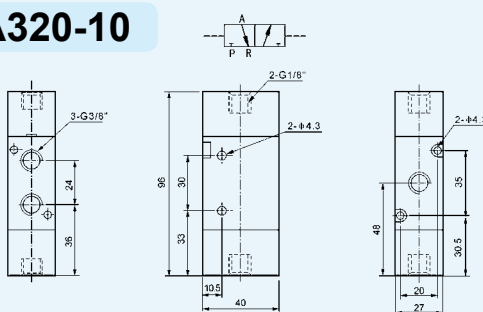
3A310-10



3A320-08



3A320-10



B

4V400系列电磁阀、气控阀

4V400 Series Solenoid Valve, Pneumatic Control Valve



订购码 | Ordering Code

| | | | | | | | | | |
|---|--|--|---|---|--|---|---|---|---|
| 4V | 4 | 10 | - | 15 | B | - | AC220V | - | W |
| 规格代码 4V:二(三)位五通电磁阀 4A:二(三)位五通气控阀 3V:二位三通电磁阀 3A:二位三通气控阀 Model 4V:Two (Three)-position Five-way Solenoid Valve 4A:Two (Three)-position Five-way Pneumatic Control Valve 3V:Two-position Three-way Solenoid Valve 3A:Two-position Three-way Pneumatic Control Valve | 系列代码 400系列 Body Size 400 Series | 线圈及位数 10:单头双位置 20:双头双位置 30C:双头三位置封闭型 30E:双头三位置排气型 30P:双头三位置压力型 Coil and Places 10:Single-head Double-position 20:Double-head Double-position 30C:Double-head Three-position Close Type 30E:Double-head Three-position Exhaust Type 30P:Double-head Three-position Pressure Type | | 接管口径 Port Size 15: 1/2" | 接管形式及初始状态 空白:管接式 B:二位五通板接式 三位五通板接式 NC:二位三通常闭型 NO:二位三通常开型 Joint Pipe Form and Initial State Blank:Pipe Connection Type B:Two-position Five-way Plate Connection Type Three-position Five-way Plate Connection Type Three-position Five-way Plate Connection Type NC:Two-position Three-way Normal Close Type NO:Two-position Three-way Normal Open Type | | 标准电压 Standard Voltage DC12V DC24V AC24V 50Hz/60Hz AC110V 50Hz/60Hz AC220V 50Hz/60Hz AC380V 50Hz/60Hz | | 接线形式 空白:标准端子式 LD:茶色带灯端子式 LD:白色带灯端子式 W:引线式 Wiring Form Blank:standard Connector LD:Brown with Lighting Connector LD:White with Lighting Connector W: Lead Wire Type |

规格 | Specification

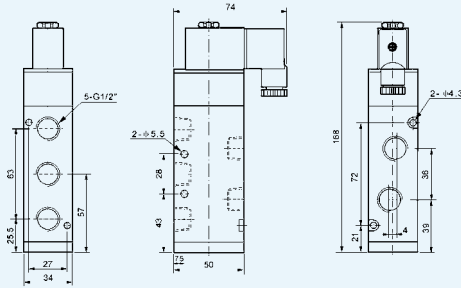
| | | | | | |
|---|-------------------------------------|----------|------------------------------------|-----------|-----------|
| 型号 Model | 4V410-15 | 4V420-15 | 4V430C-15 | 4V430E-15 | 4V430P-15 |
| | 4A410-15 | 4A420-15 | 4A430C-15 | 4A430E-15 | 4A430P-15 |
| 位通数 Position and Way NO. | 二位五通 Two-position Five-way | | 二位五通 Two-position Five-way | | |
| 有效截面积 Effective Sectional Area | 50mm ² (CV=2.79) | | 30mm ² (CV=1.68) | | |
| 型号 Model | 3V410-15 | 3V420-15 | 3A410-15 | 3A420-15 | |
| 位通数 Position and Way NO. | 二位三通 Two-position Three-way | | | | |
| 有效截面积 Effective Sectional Area | 50mm ² (CV=2.79) | | | | |
| 接管口径 Port Size | 进气=出气=排气=G1/2" | | Air Inlet=Air Outlet=Exhaust=G1/2" | | |
| 工作介质 Working Medium | 经40微米过滤的空气 | | 40 Micron Filtered Air | | |
| 动作方式 Motion Pattern | 内部先导式 | | Inner Guide Type | | |
| 使用压力 Working-pressure | 0.15~0.8MPa | | | | |
| 最大耐压力 Max. Pressure Resistance | 1.2MPa | | | | |
| 工作温度 Operating Temperature | 5~50℃ | | | | |
| 电压范围 Voltage Range | ±10% | | | | |
| 耗电量 Power Consumption | AC: 4.5VA DC: 3W | | | | |
| 绝缘性及防护等级 Insulation & Protection Class | F级. IP65 F Class. IP65 | | | | |
| 接线形式 Wiring Form | 出线式或端子式 Lead Wire or Connector type | | | | |
| 最高动作频率 Highest Action Frequency | 每秒五次 5 Cycle / Sec | | | | |
| 最短励磁时间 Shortest Excitation Time | 0.05秒 0.05 Second | | | | |

4V400系列电磁阀、气控阀

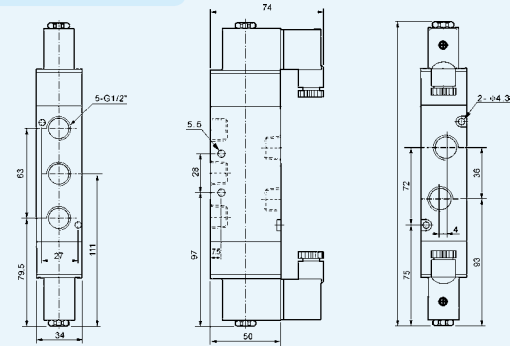
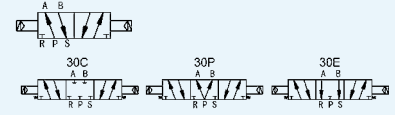
4V400 Series Solenoid Valve, Pneumatic Control Valve

外形尺寸 | Overall Dimension

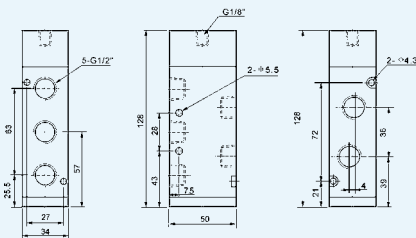
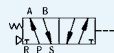
4V410-15



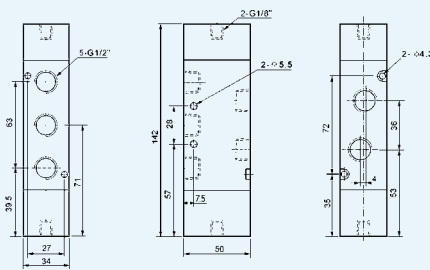
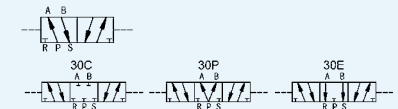
4V420-15 4V430-15



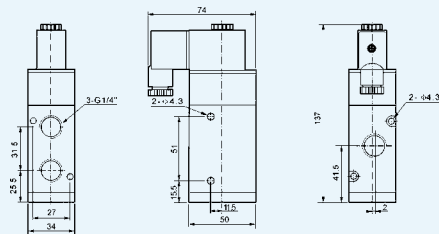
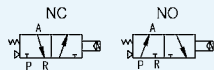
4A410-15



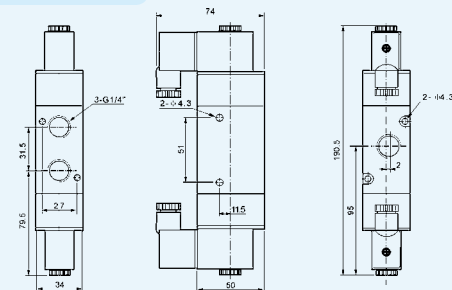
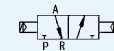
4A420-15 4A430-15



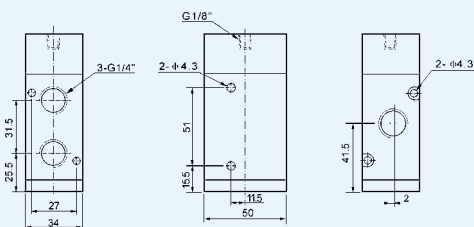
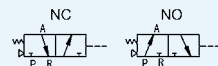
3V410-15



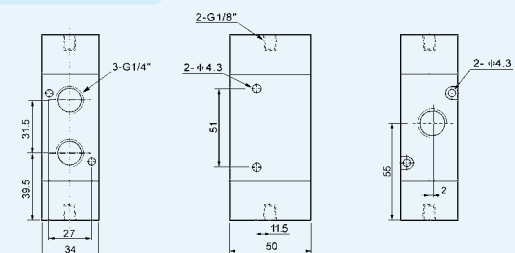
3V420-15



3A410-15



3A420-15



B

100-400系列底座

100 - 400 Series Base



订购码 | Ordering Code

100M - **□F**

系列代码
100M: 100系列用底座
200M: 200系列用底座
300M: 300系列用底座
400M: 400系列用底座
Series Code
100M: Base for 100 Series Use
200M: Base for 200 Series Use
300M: Base for 300 Series Use
400M: Base for 400 Series Use

连座数目
100M: 任意连
200M: 任意连
300M: 任意连
400M: 任意连
Joint Base Number
100M: Wantonly Joint
200M: Wantonly Joint
300M: Wantonly Joint
400M: Wantonly Joint

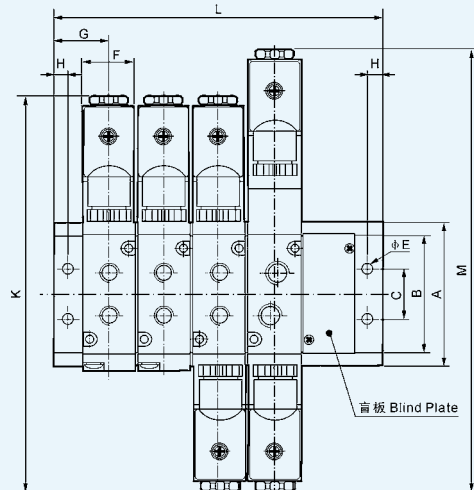
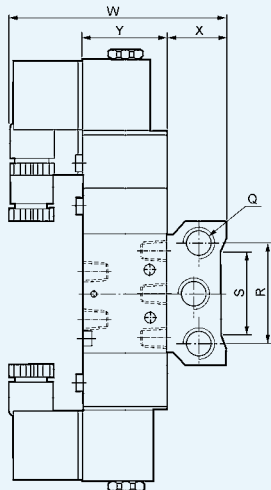
盲板订购码 | Blind Plate Ordering Code

200M - **B**

系列代码
100M: 100系列用底座
200M: 200系列用底座
300M: 300系列用底座
400M: 400系列用底座
Series Code
100M: Base for 100 Series Use
200M: Base for 200 Series Use
300M: Base for 300 Series Use
400M: Base for 400 Series Use

盲目代号
B: 底座用盲板
Blind Plate Code
B: Base Purposed Blind Plate

外形尺寸 | Overall Dimension



底座尺寸表 | Base Size Sheetsion

| 内径 / 符号 Inside Diameter/Symbol | A | B | C | E | F | G | H | K | L | M | Q | R | S | W | X | Y |
|-----------------------------------|-----|----|----|-----|------|------|---|-----|-------------|-----|------|----|----|------|----|----|
| 100M-□F | 58 | 44 | 20 | 4.2 | 18.3 | 19 | 5 | 140 | (n-1)x19+38 | 155 | G1/4 | 40 | 30 | 78.5 | 25 | 27 |
| 200M-□F | 61 | 51 | 21 | 4.3 | 22.4 | 23 | 6 | 170 | (n-1)x23+46 | 189 | G1/4 | 43 | 32 | 92.5 | 26 | 35 |
| 300M-□F | 75 | 65 | 26 | 4.5 | 27.3 | 27 | 6 | 189 | (n-1)x28+54 | 208 | G3/8 | 53 | 48 | 99 | 30 | 40 |
| 400M-□F | 104 | 95 | 32 | 5.5 | 34.3 | 31.5 | 7 | 222 | (n-1)x35+63 | 243 | G1/2 | 68 | 67 | 112 | 38 | 50 |

3V1系列电磁阀

3V1 Series Solenoid Valve



订购码 | Ordering Code

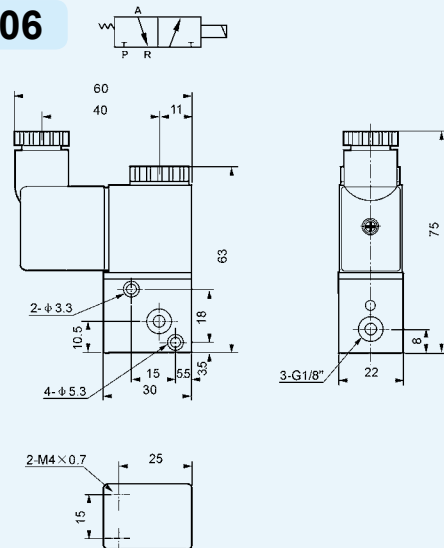
| | | | | | | | | |
|---|--|---|--|--|---|--|---|---|
| 3V | 1 | - | 06 | B | - | AC220V | - | W |
| 规格代码 3V:二位三通电磁阀 Model 3V: Two-position Three-way Solenoid Valve | 系列代码 1:100系列 Body Size 1: 100 Series | | 接管口径 Port Size M5: M5 06: 1/8" | 连接方式 空白:管接式 B:板接式 Connecting Type Blank:Pipe Connection Type B:Plate Connection Type | | 标准电压 Standard Voltage DC12V DC24V AC24V 50Hz/60Hz AC110V 50Hz/60Hz AC220V 50Hz/60Hz AC380V 50Hz/60Hz | | 接线形式 空白: 标准端子式 LD:茶色带灯端子式 LD:白色带灯端子式 W:引线式 Wiring Form Blank:standard Connector LD:Brown with Lighting Connector LD:White with Lighting Connector W: Lead Wire Type |

规格 | Specification

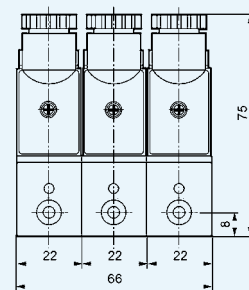
| 型号 Model | 3V1-M5 | 3V1-M5 |
|------------------------------------|-------------------------------------|-------------|
| 工作介质 Working Medium | 经40微米过滤的空气 40 Micron Filtered Air | |
| 动作方式 Motion Pattern | 直动式 Direct Drive Type | |
| 接管口径 Port Size | M5 | 1/8" |
| 周围温度 Ambient Temperature | -10~+60℃ | |
| 气体温度 Gas Temperature | 5~60℃ | |
| 出风口直径 Air Outlet Diameter | 1.0mm | |
| 润滑 Lubrication | 不需要 Not Necessary | |
| 使用压力 Working-pressure | 0~0.8MPa | |
| 最大耐压力 Max. Pressure Resistance | 1.2MPa | |
| 耗电量 Power Consumption | AC: 4.5VA DC: 3W | |
| 保护等级 Protect Class | IP65 | |
| 接电形式 Power Connection Form | 出线式或端子式 Lead Wire or Connector type | |
| 本体材质 Material of Body | 铝合金 Aluminum alloy | |
| 最高动作频率 Highest Action Frequency | 每秒十次 10 Cycle / Sec | |
| 绝缘性 Insulation | F级 F Class | |
| 电压范围 Voltage Range | ±10% | |
| 最短励磁时间 Shortest Excitation Time | 0.05秒 | 0.05 Second |

外形尺寸 | Overall Dimension

3V1-06



3V1-06-3F



VF、VZ系列电磁阀

VF, VZ Series Solenoid Valve



订购码 | Ordering Code

底座订购码

Base Ordering Code

VF3 - **1** - **30** - **AC220V** - **W**

VF3000M - **□ F**

系列代码
VF3系列
VF5系列
VZ5系列
Model
VF3 Series
VF5 Series
VZ5 Series

线圈及位数
1: 单头双位置
2: 双头双位置
3: 双头三位置封闭型
4: 双头三位置排气型
5: 双头三位置压力型
Coil and Places

1: Single-head Double-position
2: Double-head Double-position
3: Double-head Three-position Close Type
4: Double-head Three-position Exhaust Type
5: Double-head Three-position Pressure Type

顺序号
Order NO.
VF3:30
VF5:20
VZ5:20

标准电压
Standard Voltage
DC12V
DC24V
AC24V 50Hz/60Hz
AC110V 50Hz/60Hz
AC220V 50Hz/60Hz
AC380V 50Hz/60Hz

接线形式
空白: 标准端子式
LD: 棕色带灯端子式
LD: 白色带灯端子式
W: 引线式
Wiring Form
Blank: standard Connector
LD: Brown with Lighting Connector
LD: White with Lighting Connector
W: Lead Wire Type

系列代码
VF3000M: VF3系列用
VF5000M: VF5系列用
VZ5000M: VZ5系列用
Series Code
VF3000M: For VF3 Series Use
VF5000M: For VF5 Series Use
VZ5000M: For VZ5 Series Use

连座数目
VF3000M: 任意连
VF5000M: 任意连
VZ5000M: 任意连
Joint Base Number
VF3000M: Wantonly Joint
VF5000M: Wantonly Joint
VZ5000M: Wantonly Joint

规格 | Specification

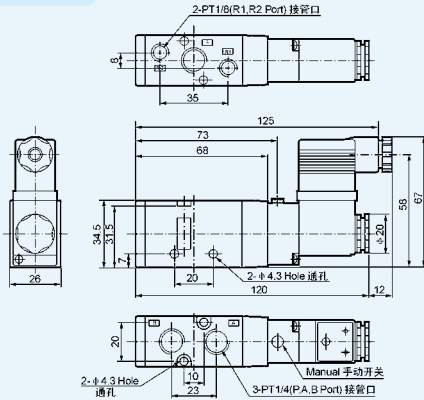
| 型号 Model | VF3130 VF3230 | VF33(4/5)30 | VF5120 VF5220 | VF53(4/5)50 | VZ5120 VF5220 | VZ53(4/5)50 |
|---|-------------------------------------|---------------------------------|-------------------------------|---------------------------------|-------------------------------|---------------------------------|
| 位通数 Position and Way NO. | 二位五通 Two-position Five-way | 三位五通 Three-position Five-way | 二位五通 Two-position Five-way | 三位五通 Three-position Five-way | 二位五通 Two-position Five-way | 三位五通 Three-position Five-way |
| 有效截面积 Effective Sectional Area | 16mm ² (CV=0.89) | 12mm ² (CV=0.67) | 25mm ² (CV=1.40) | 18mm ² (CV=1.00) | 12mm ² (CV=0.67) | 9mm ² (CV=0.50) |
| 工作介质 Working Medium | 经40微米过滤的空气 40 Micron Filtered Air | | | | | |
| 动作方式 Motion Pattern | 内部先导式 Inner Guide Type | | | | | |
| 使用压力 Working-pressure | 0.15~0.8MPa | | | | | |
| 最大耐压力 Max. Pressure Resistance | 1.2MPa | | | | | |
| 工作温度 Operating Temperature | 5~50℃ | | | | | |
| 电压范围 Voltage Range | ±10% | | | | | |
| 耗电量 Power Consumption | AC: 4.5VA DC: 3W | | | | | |
| 绝缘性及防护等级 Insulation & Protection Class | F级, IP65 F Class, IP65 | | | | | |
| 接线形式 Wiring Form | 出线式或端子式 Lead Wire or Connector type | | | | | |
| 最高动作频率 Highest Action Frequency | 每秒五次 5 Cycle / Sec | | | | | |
| 最短励磁时间 Shortest Excitation Time | 0.05秒 0.05 Second | | | | | |

VF、VZ系列电磁阀

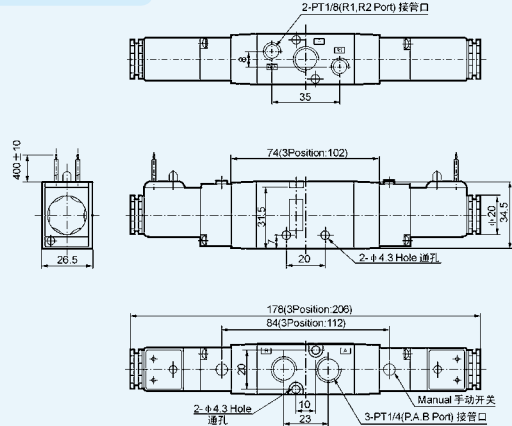
VF, VZ Series Solenoid Valve

外形尺寸 | Overall Dimension

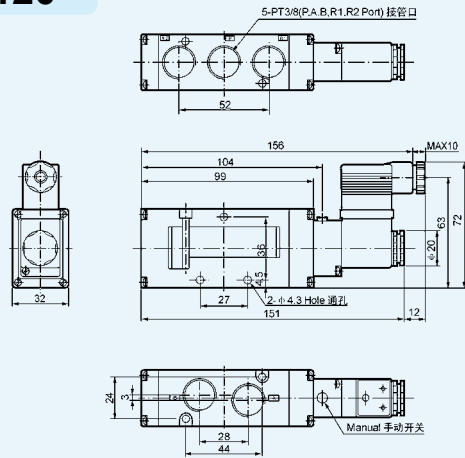
VF3130



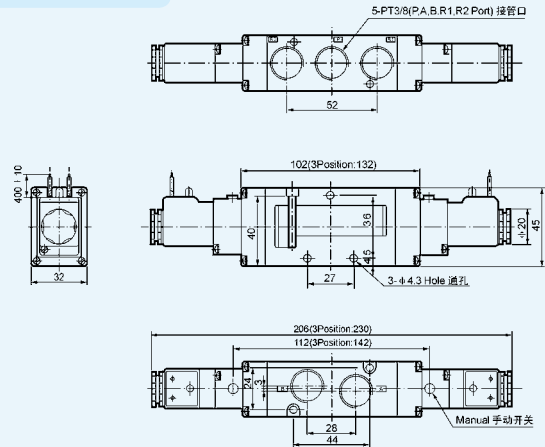
VF3230



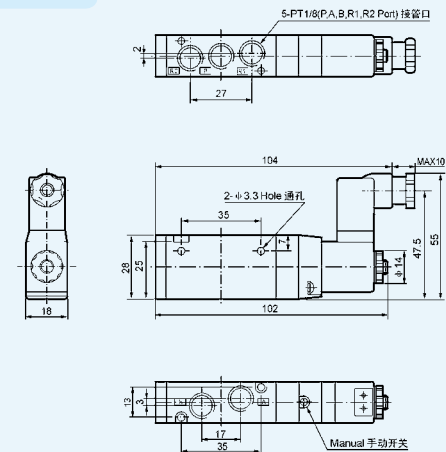
VF5120



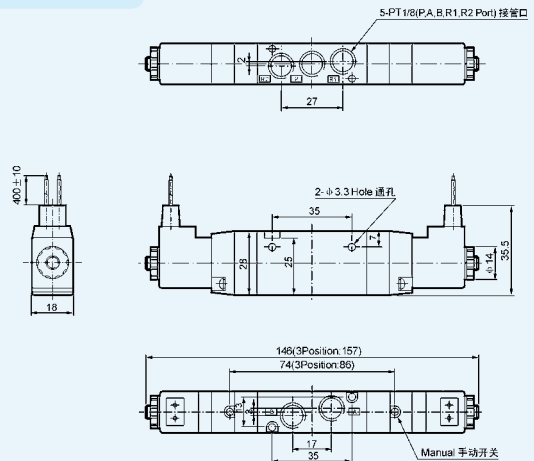
VF5220



VZ5120



VZ5220



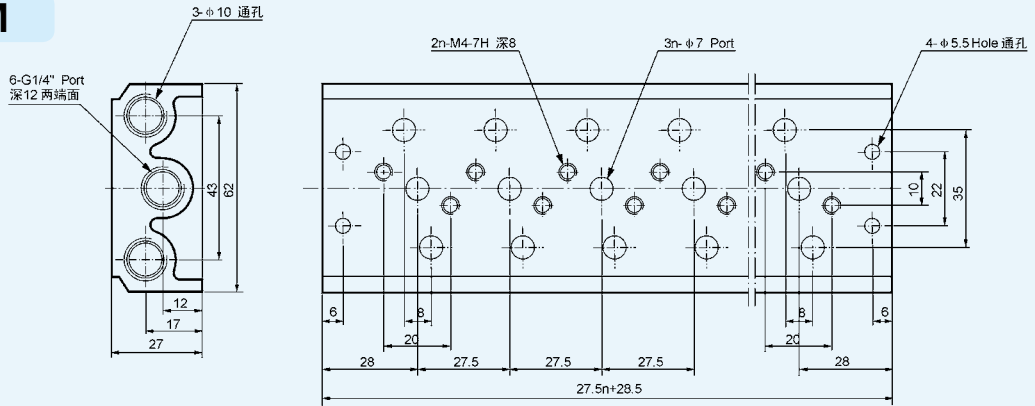
B

VF、VZ系列电磁阀

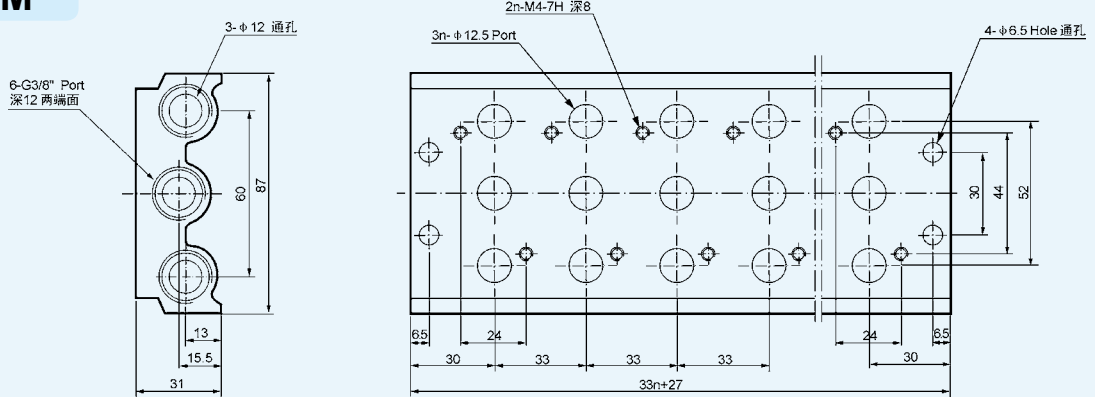
VF, VZ Series Solenoid Valve

外形尺寸 | Overall Dimension

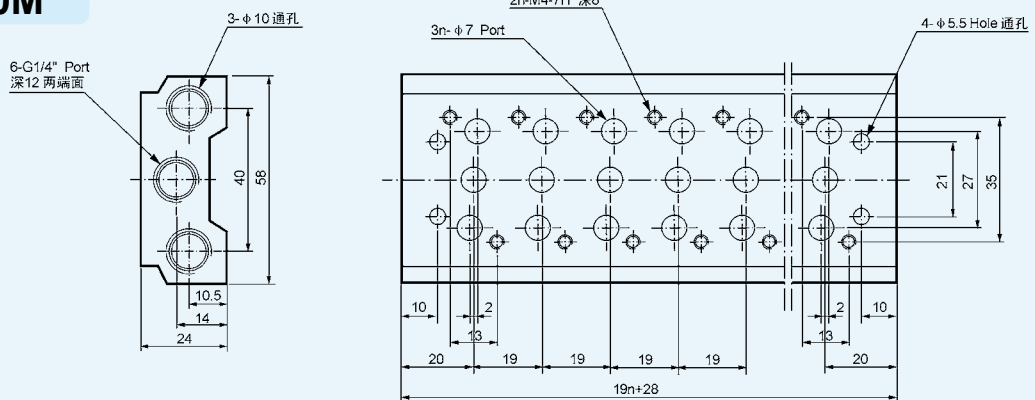
VF3000M



VF5000M



VZ5000M



MVSD-600系列电磁阀

MVSD-600 Series Solenoid Valve



订购码 | Ordering Code

| | | | | | | | | | | | | |
|-------------|----------|-------------------|----------|---|----------|--|----------|--|----------|---|----------|--|
| MVSD | - | 600 | - | 4 | - | E2 | - | 25A | - | AC110V | - | L |
| 型号 Model | | 本体宽度 Body Size | | 3:3方向 4:4方向 3:Three Way 4:Four Way | | E1:单线圈 E2:双线圈 E1:Single Coil E2:Double Coil | | 接管口径代号 Port Size 15A:PT1/2 20A:PT3/4 25A:PT1 | | 标准电压 Standard Voltage DC24V AC110V 50Hz/60Hz AC220V 50Hz/60Hz | | 接线形式 空白: DIN端子型 L: 附灯型 Wiring Form Blank:DIN Connector L:With Lighting Type |

规格 | Specification

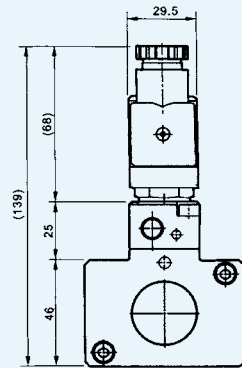
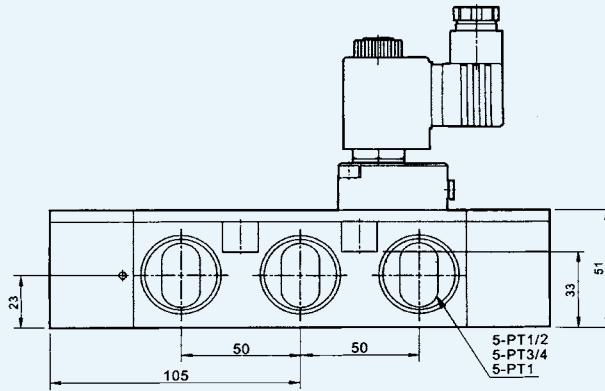
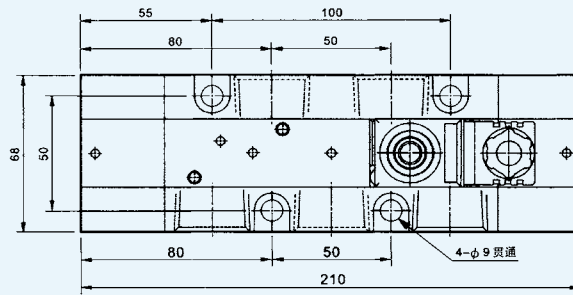
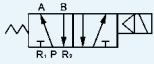
| 型号 Model | MVSD-600-4E1 | MVSD-600-4E2 |
|---------------------------------|--|--------------|
| 接管口径代号 Port Size Code | 15A, 20A, 25A | |
| 接管口径 Port Size | PT1/2, PT3/4, PT1 | |
| 位通数 Position Way No. | 二位五通 Two-position Five-way | |
| 使用压力范围 Pressure Range | 0.2~0.7MPa | |
| 耐压力 Pressure Resistance | 1.0MPa | |
| 有效断面积 Effective Section Area | 20A: 115mm ² , 25A:135mm ² | |
| 应答时间 Answer Time | 80ms | |
| 使用流体 Operating Fluid | 空气 Air | |
| 工作温度 Working Temperature | -5~50℃ (不冻结 No Freezing) | |
| 标准电压 Standard Voltage | AC: 110V, 220V (50/60)Hz | DC: 24V |
| 耗电量 Power Consumption | AC: 13/11VA | DC: 10W |
| 电压范围 Voltage Range | ±10% | |
| 绝缘级数 Insulation Class | H级 H Class | |
| 重量 Weight | 1817g | 2102g |

MVSD-600系列电磁阀

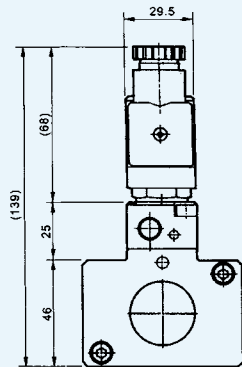
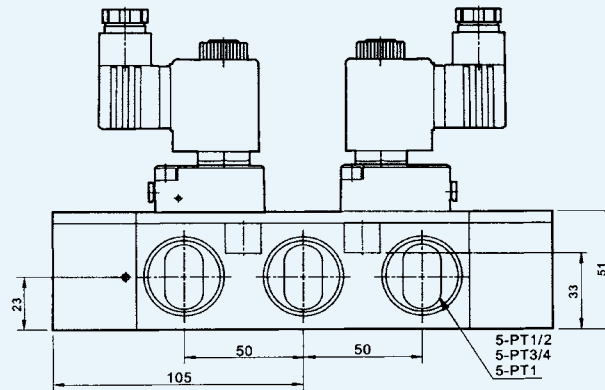
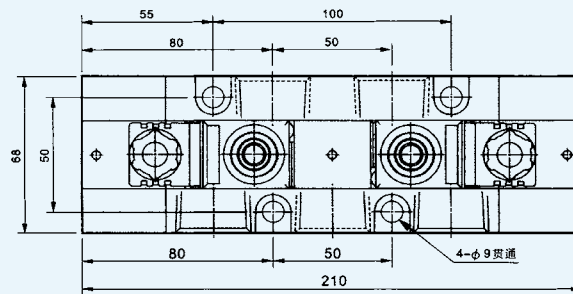
MVSD-600 Series Solenoid Valve

外形尺寸 | Overall Dimension

MVSD-600-4E1



MVSD-600-4E2



2W(UD)系列电磁阀

2W(UD) Series Solenoid Valve



订购码 | Ordering Code

2W

规格代码
2W: 二位二通电磁阀 (直动式)
2S: 不锈钢二位二通电磁阀 (直动式)
Model
2W: Two-position two-way solenoid valve (direct drive type)
2S: Stainless steel two-position two-way solenoid valve (direct drive type)

025

流量孔径
Aperture of Flow Rate
012: 1.2mm
020: 2.0mm
025: 2.5mm
040: 4.0mm

06

接管口径
Port Size
06: 1/8"
08: 1/4"
10: 3/8"

NO

初始状态
空白: 常闭型
NO: 常开型
Initial Situation
Blank: Normal Close
NO: Normal Open

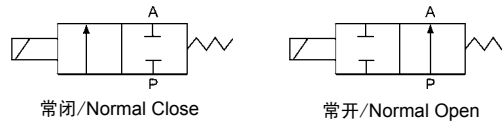
AC110V

标准电压
Standard Voltage
DC12V
DC24V
AC24V 50/60Hz
AC36V 50/60Hz
AC110V 50/60Hz
AC220V 50/60Hz
AC380V 50/60Hz

E

油封代号
空白: NBR
V: VITON(高温用)
E: EPDM (蒸汽用)
Seals
Blank: NBR
V: VITON (for high-temperature)
E: EPDM (for steam)

图形符号 | Graphic Symbol



规格 | Specification

| 型号 Model | 2W025-06 | 2W025-08 | 2W040-10 | 2WH012-06 | 2WH012-08 | 2WH020-10 |
|---------------------------------------|---|----------|----------|-------------------------|-----------|-----------|
| | 2S025-06 | 2S025-08 | 2S040-10 | 2SH012-06 | 2SH012-08 | 2SH020-10 |
| 工作介质 Working Medium | 空气、水、油、瓦斯 Air, Water, Oil, Gas | | | | | |
| 动作方式 Motion Pattern | 直动式 Direct Drive Type | | | | | |
| 型式 Type | 常闭型 Normal Close Type: | | | 常开型 Normal Open Type | | |
| 流量孔径 mm Aperture of Flow Rate | 2.5 | | 4.0 | 1.2 | | 2.0 |
| CV值 CV Value | 0.23 | | 0.60 | 0.05 | | 0.15 |
| 接管口径 Port Size | G1/8" | G1/4" | G3/8" | G1/8" | G1/4" | G3/8" |
| 使用流体粘滞度 Operation Fluid Viscosity | 20 CST以下 (Below) | | | | | |
| 使用压力 Working-pressure | 0~0.7MPa | | | 0~2.0MPa | | |
| 最大耐压力 Max. Pressure Resistance | 1.0MPa | | | 3.5MPa | | |
| 工作温度范围 Operating Temperature Range | -5~+80℃ | | | | | |
| 使用电压范围 Voltage Range | ±10% | | | | | |
| 本体材质 Material of Body | 2W: 黄铜 Brass ; 2S: 不锈钢 Stainless Steel | | | | | |
| 油封材质 Material of Oil Seal | NBR, EPDM或VITON / NBR, EPDM or VITON | | | | | |

* 特殊电压及特殊规格请与厂方接洽。 Please contact Factory for special voltage and Specification.

2W(UW)系列电磁阀(大口径) 2W(UW) Series Solenoid Valve (Large Aperture)



订购码 | Ordering Code

2W

规格代码
2W: 二位二通电磁阀 (直动式)
2S: 不锈钢二位二通电磁阀 (直动式)
Model
2W: Two-position two-way solenoid valve (direct drive type)
2S: Stainless steel two-position two-way solenoid valve (direct drive type)

160

流量孔径
Aperture of Flow Rate
160: 16mm
200: 20mm
250: 25mm
350: 35mm
400: 40mm
500: 50mm

-

15

接管口径
Port Size
10: 3/8"
15: 1/2"
20: 3/4"
25: 1"
35: 1 1/4"
40: 1 1/2"
50: 2"

NO

初始状态
空白: 常闭型
NO: 常开型
Initial Situation
Blank: Normal Close
NO: Normal Open

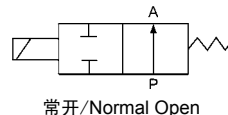
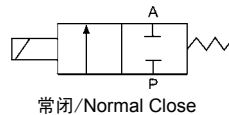
AC110V

标准电压
Standard Voltage
DC12V
DC24V
AC24V 50/60Hz
AC36V 50/60Hz
AC110V 50/60Hz
AC220V 50/60Hz
AC380V 50/60Hz

V

油封代号
空白: NBR
V: VITON (高温用)
Seals
Blank: NBR
V: VITON (for high-temperature)

图形符号 | Graphic Symbol



规格 | Specification

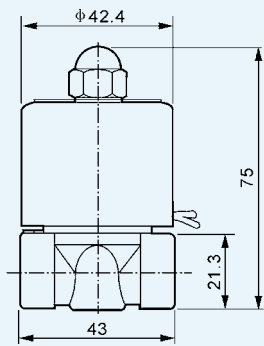
| 型号 Model | 2W160-10 | 2W160-15 | 2W200-20 | 2W250-25 | 2W350-35 | 2W400-40 | 2W500-50 |
|---------------------------------------|--|----------|----------|----------|----------|----------|----------|
| | 2S160-10 | 2S160-15 | 2S200-20 | 2S250-25 | 2S350-35 | 2S400-40 | 2S500-50 |
| 工作介质 Working Medium | 空气、水、油、瓦斯 Air, Water, Oil, Gas | | | | | | |
| 动作方式 Motion Pattern | 直动式 Direct Drive Type | | | | | | |
| 型式 Type | 常闭型 Normal Close Type; 常开型 Normal Open Type | | | | | | |
| 流量孔径 mm Aperture of Flow Rate | 16 | 16 | 20 | 25 | 35 | 40 | 50 |
| CV值 CV Value | 4.8 | 4.8 | 7.6 | 12 | 24 | 29 | 48 |
| 接管口径 Port Size | G3/8" | G1/2" | G3/4" | G1" | G1 1/4" | G1 1/2" | G2" |
| 使用流体粘滞度 Operation Fluid Viscosity | 20 CST以下 (Below) | | | | | | |
| 使用压力 Working-pressure | 水 Water : 0~0.5MPa; 空气 Air : 0~0.7MPa; 油 Oil : 0~0.5MPa; 瓦斯 Gas : 0~0.7MPa | | | | | | |
| 最大耐压力 Max. Pressure Resistance | 1.05MPa | | | | | | |
| 工作温度范围 Operating Temperature Range | -5~+80°C | | | | | | |
| 使用电压范围 Voltage Range | ±10% | | | | | | |
| 本体材质 Material of Body | 2W: 黄铜 Brass ; 2S: 不锈钢 Stainless Steel | | | | | | |
| 油封材质 Material of Oil Seal | NBR, EPDM或VITON / NBR, EPDM or VITON | | | | | | |

* 特殊电压及特殊规格请与厂方接洽。 Please contact Factory for special voltage and Specification.

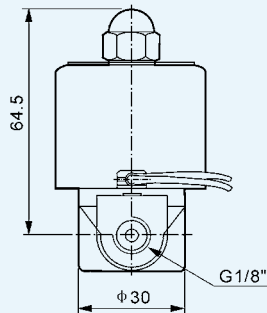
2W(UW)系列电磁阀(大口径) 2W(UW) Series Solenoid Valve (Large Aperture)

外形尺寸 | Overall Dimension

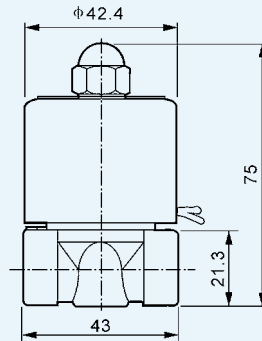
2W025-06



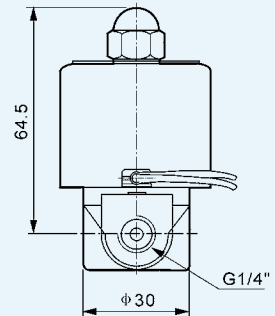
2WH012-06



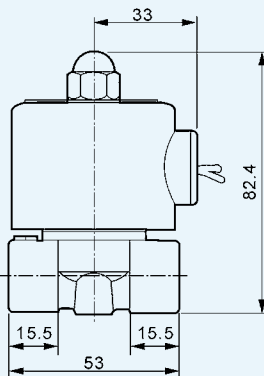
2W025-08



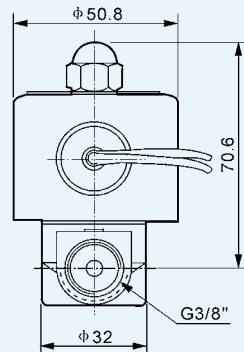
2WH012-08



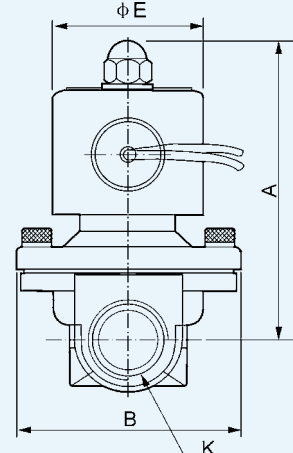
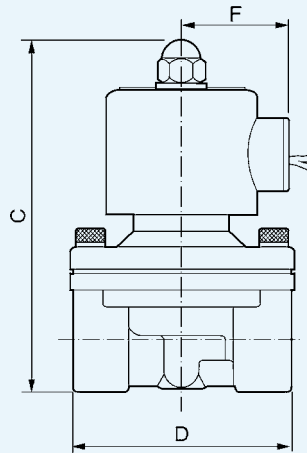
2W040-10



2WH020-10



2W大口径 Large Aperture



尺寸表 | Dimension Sheet

| 型号 Model | A | B | C | D | E | F | K |
|----------|-------|------|-------|-----|------|----|---------|
| 2W160-10 | 101.5 | 57 | 117 | 69 | 50 | 36 | G3/8" |
| 2W160-15 | 101.5 | 57 | 117 | 69 | 50 | 36 | G1/2" |
| 2W200-20 | 107 | 57 | 123.5 | 73 | 50 | 36 | G3/4" |
| 2W250-25 | 111.5 | 73.5 | 134.5 | 99 | 50 | 36 | G1" |
| 2W350-35 | 142 | 95 | 172 | 123 | 70.5 | 56 | G1 1/4" |
| 2W400-40 | 142 | 95 | 172 | 123 | 70.5 | 56 | G1 1/2" |
| 2W500-50 | 172 | 123 | 209 | 168 | 70.5 | 56 | G2" |

2L(US)系列电磁阀

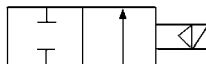
2L(US) Series Solenoid Valve



订购码 | Ordering Code

| | | | | | |
|---|---|---|---|---|--|
| 2L | 170 | - | 15 | - | AC110V |
| 规格代码 2L:蒸汽型二位二通电磁阀 Model 2L: Steam Valve | 流量孔径 Aperture of Flow Rate 170: 17mm 200: 22mm 300: 30mm 500: 50mm | | 接管口径 Port Size 10: 3/8" 15: 1/2" 20: 3/4" 25: 1" 35: 1 1/4" 40: 1 1/2" 50: 2" | | 标准电压 Standard Voltage DC12V DC24V AC24V 50/60Hz AC36V 50/60Hz AC110V 50/60Hz AC220V 50/60Hz AC380V 50/60Hz |

图形符号 | Graphic Symbol



规格 | Specification

| 型号 Model | 2L170-10 | 2L170-15 | 2L170-20 | 2L200-25 | 2L300-35 | 2L300-40 | 2L500-50 |
|---------------------------------------|--------------------------------|----------|----------|----------|----------|----------|----------|
| 工作介质 Working Medium | 空气、水、油、瓦斯 Air, Water, Oil, Gas | | | | | | |
| 动作方式 Motion Pattern | 直动式 Direct Drive Type | | | | | | |
| 型式 Type | 常闭型 Normal Close Type | | | | | | |
| 流量孔径 mm Aperture of Flow Rate | | 17 | | 22 | | 30 | 50 |
| CV值 CV Value | | 4.8 | | 12 | | 20 | 48 |
| 接管口径 Port Size | G3/8" | G1/2" | G3/4" | G1" | G1 1/4" | G1 1/2" | G2" |
| 使用流体粘滞度 Operation Fluid Viscosity | 20 CST以下 (Below) | | | | | | |
| 使用压力 Working-pressure | 0.1~1.5MPa | | | | | | |
| 最大耐压力 Max. Pressure Resistance | 2.25MPa | | | | | | |
| 工作温度范围 Operating Temperature Range | -5~+80°C | | | | | | |
| 使用电压范围 Voltage Range | ±10% | | | | | | |
| 本体材质 Material of Body | 黄铜 Brass | | | | | | |
| 油封材质 Material of Oil Seal | 聚四氟乙烯 PTFE | | | | | | |

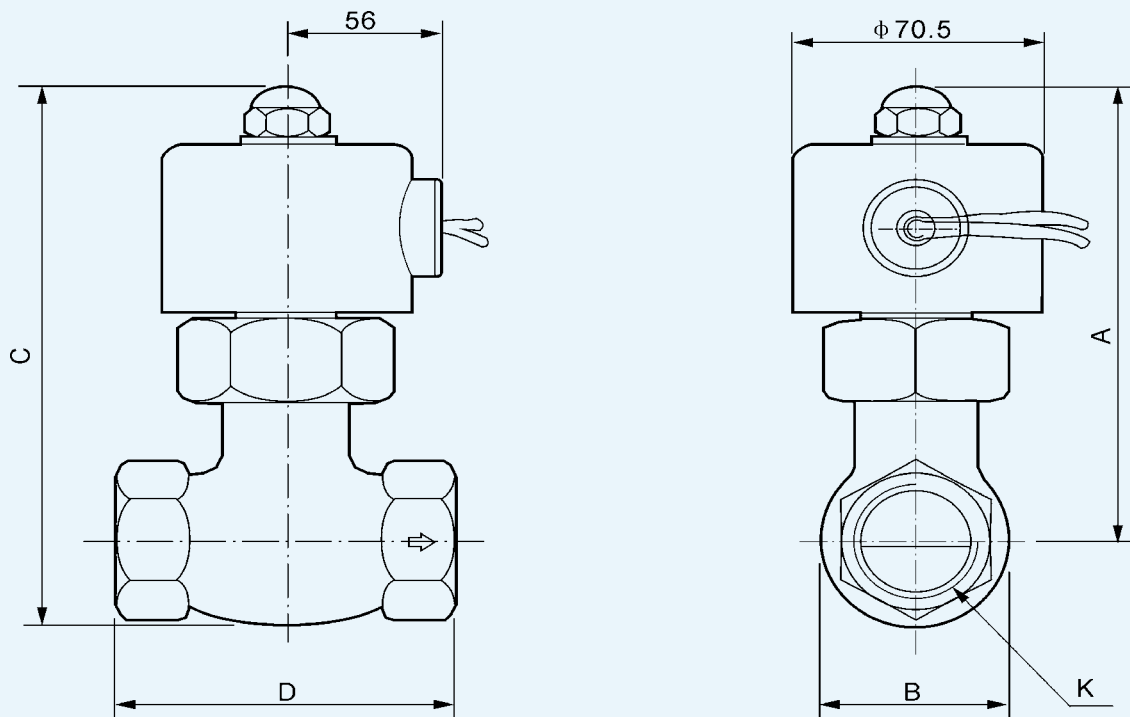
* 特殊电压及特殊规格请与厂方接洽。 Please contact Factory for special voltage and Specification.

2L(US)系列电磁阀

2L(US) Series Solenoid Valve

外形尺寸 | Overall Dimension

2L Series



尺寸表 | Dimension Sheet

| 型号 Model | A | B | C | D | K |
|----------|-----|----|-----|------|---------|
| 2L170-10 | 125 | 42 | 146 | 82 | G3/8" |
| 2L170-15 | 125 | 42 | 146 | 82 | G1/2" |
| 2L170-20 | 125 | 42 | 146 | 82 | G3/4" |
| 2L200-25 | 136 | 52 | 162 | 90.5 | G1" |
| 2L300-35 | 148 | 74 | 185 | 111 | G1 1/4" |
| 2L300-40 | 148 | 74 | 185 | 111 | G1 1/2" |
| 2L500-50 | 176 | 86 | 223 | 163 | G2" |

PU系列电磁阀

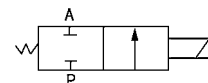
PU Series Solenoid Valve



订购码 | Ordering Code

图形符号 | Graphic Symbol

| | | | | | | |
|---|---|---|--|---|---|---|
| PU | 220 | - | 01 | - | AC110V | E |
| 规格代码 PU:二位二通电磁阀 Model PU: Two-position two-way solenoid valve | 动作方式 220: 直动式 225: 先导式 Motion Pattern 220: Direct drive 225: Pilot Type | | 接管口径 Port Size 01: 1/8" 08: 1" 02: 1/4" 12: 1 1/4" 03: 3/8" 14: 1 1/2" 04: 1/2" 20: 2" 06: 3/4" | | 标准电压 Standard Voltage DC12V DC24V AC24V 50/60Hz AC36V 50/60Hz AC110V 50/60Hz AC220V 50/60Hz AC380V 50/60Hz | 油封代号 空白: NBR E: EPDM V: VITON Seals Blank: NBR E: EPDM V: VITON |



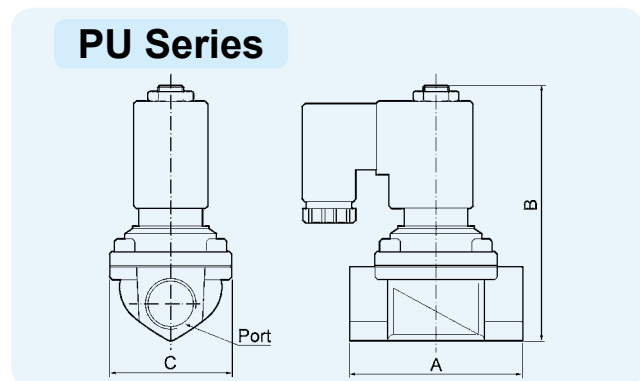
规格 | Specification

| 型号 Model | PU220-01 | PU220-02 | PU220-03 | PU220-04 | PU220-06 | PU220-08 |
|--------------------------------------|--|----------|----------|----------|----------|----------|
| 工作介质 Working Medium | 空气、水、油 Air, Water, Oil | | | | | |
| 动作方式 Motion Pattern | 220: 直动式 Direct Drive Type 225: 先导式 Guide Type | | | | | |
| 型式 Type | 常闭型 Normal Close Type | | | | | |
| 流量孔径 mm Aperture of Flow Rate | 1.5 | 2.3 | 8 | 13 | 20 | 25 |
| CV值 CV Value | 0.10 | 0.18 | 1.00 | 4.00 | 8.60 | 11.00 |
| 接管口径 Port Size | G1/8" | G1/4" | G3/8" | G1/2" | G3/4" | G1" |
| 使用流体粘滞度 Operation Fluid Viscosity | 50 CST | | | | | |
| 使用压力 Working-pressure | 0~0.7MPa | | | | | |
| 最大耐压力 Max. Pressure Resistance | 1.05MPa | | | | | |
| 工作温度 Operating Temperature | -5~+80°C | | | | | |

* 特殊电压及特殊规格请与厂方接洽。 Please contact Factory for special voltage and Specification.

外形尺寸 | Overall Dimension

尺寸表 | Dimension Sheet



| 型号 Model | 口径 Bore | A | B | C |
|----------|---------|------|------|------|
| PU220-01 | G1/8" | 22 | 72 | 22 |
| PU220-02 | G1/4" | 35 | 75.5 | 25.4 |
| PU220-03 | G3/8" | 55 | 79.5 | 30 |
| PU220-04 | G1/2" | 66.5 | 101 | 48 |
| PU220-06 | G3/4" | 71 | 107 | 48 |
| PU220-08 | G1" | 96 | 120 | 70 |

二位三通活塞式多介质角座阀系列

2/2 way Piston-operated angle-seat valves for neutral and aggressive liquids and gases

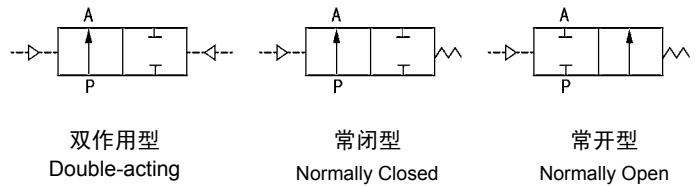


订购码 | Ordering Code

JZF - **15** **D**

| | | |
|---|---|--|
| 规格代码 Model JZF: 角座阀 JZF: Angle Seat Valve | 公称口径 Orifice Size (mm) 15,20,25,32,40,50 | 阀体材料 Body Material D: 锡青铜 D: Tin bronze 空白: 不锈钢 Blank: Stainless Steel |
|---|---|--|

图形符号 | Graphic Symbol



规格 | Specification

| 公称口径 Orifice Size (mm) | 接管螺纹(螺纹型) Port Connection (G) | Kv值 Kv Value (m ³ /h) | 最大工作压力 Max. Working Pressure (MPa) | 要求最小控制压力 Min.pilot Pressure (MPa) | 聚酰胺 Polyamide | 介质温度 Medium Temperature | 流向 Flow direction |
|---------------------------|----------------------------------|-------------------------------------|---------------------------------------|--------------------------------------|------------------|----------------------------|--|
| 15 | G1/2" | 4.2 | 0~1.6 | 0.39 | 50 | -10~+180℃ | A向或B向 A (flow direction below the seat) or B (flow direction above the seat) |
| 20 | G3/4" | 8 | 0~1.1 | 0.39 | 50 | | |
| 25 | G1" | 19 | 0~1.1 | 0.42 | 63 | | |
| 32 | G1 ¹ / ₄ " | 27.5 | 0~1.5 | 0.5 | 63 | | |
| 40 | G1 ¹ / ₂ " | 42 | 0~1.25 | 0.44 | 63 | | |
| 50 | G2" | 55 | 0~1.0 | 0.4 | 80 | | |

安装与维修 | Installation & Maintenance

必须遵守适用的安全规范:

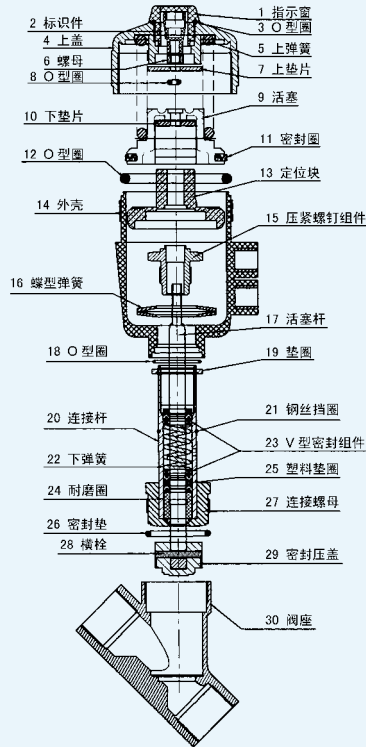
1. 管道必须清洁无污染。
2. 根据需要安装, 但最好使执行机构朝上。注意流向。
3. 连接阀门注意对准管道, 只有在用户特殊要求时才取下执行机构。
4. 打开或维修该角座阀之前先切断流体和控制气源并降低管道系统中的压力。

- 1 Clean the pipes carefully from any residue, dribble or welding residue, to avoid any damage to the seal.
- 2 To be installed as required, preferably with actuator in upright position
- 3 Connect the pipes according to the reference points (flow direction) found on the valve body. Only disassemble the actuator if required by customer.
- 4 Before taking the valve apart, depressurize the media supply and pilot air supply piping system.

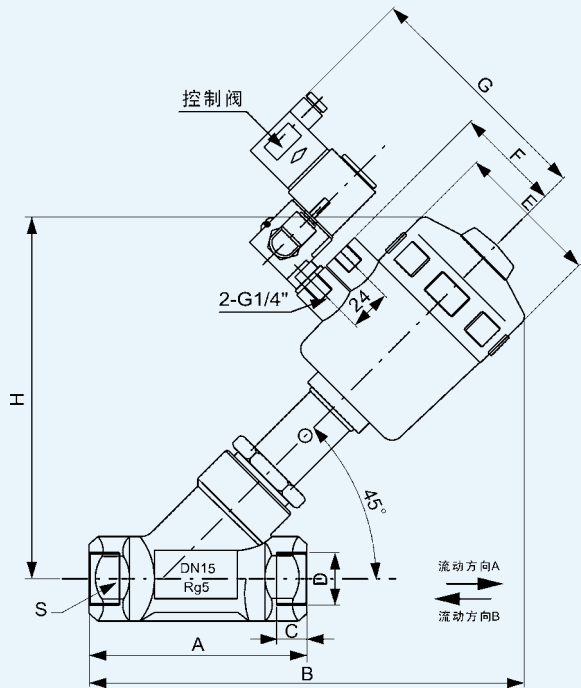
二位二通活塞式多介质角座阀系列

2/2 way Piston-operated angle-seat valves for neutral and aggressive liquids and gases

内部结构 Inside Structure



外形图 Overall Chart



尺寸表 | Dimension Sheet

| 公称通径 Orifice Size (mm) | 接管螺纹 Port Connection D | 执行器尺寸 Actuator size (Φmm) | | A | B | | C | ΦE | | F | | G | | H | | L | S |
|------------------------------|------------------------------|---------------------------------|-----------------------|-----|------------------|-----------------------|----|------------------|-----------------------|------------------|-----------------------|------------------|-----------------------|------------------|-----------------------|----|----|
| | | 聚酰胺 Polyamide | 铝合金 Aluminum Alloy | | 聚酰胺 Polyamide | 铝合金 Aluminum Alloy | | 聚酰胺 Polyamide | 铝合金 Aluminum Alloy | 聚酰胺 Polyamide | 铝合金 Aluminum Alloy | 聚酰胺 Polyamide | 铝合金 Aluminum Alloy | 聚酰胺 Polyamide | 铝合金 Aluminum Alloy | | |
| 15 | G1/2" | 50 | - | 85 | 173 | - | 12 | 64 | - | 44 | - | 112 | - | 137 | - | 33 | 27 |
| 20 | G3/4" | 50 | - | 95 | 178 | - | 12 | 64 | - | 44 | - | 112 | - | 145 | - | 35 | 32 |
| 25 | G1" | 63 | - | 105 | 212 | - | 14 | 80 | - | 52 | - | 120 | - | 173 | - | 40 | 41 |
| 32 | G1 1/4" | 63 | 100 | 118 | 236 | 276 | 16 | 80 | 140 | 52 | 70 | 120 | 138 | 189 | 250 | 35 | 55 |
| 40 | G1 1/2" | 63 | 100 | 130 | 230 | 270 | 18 | 80 | 140 | 52 | 70 | 120 | 138 | 189 | 250 | 35 | 55 |
| 50 | G2" | 80 | 125 | 150 | 238 | 300 | 20 | 100 | 170 | 52 | 83 | 120 | 151 | 250 | 260 | 38 | 70 |

注意 | Notice

选择流动方向A时的特点:

1. 选择该流动方向时, 可提高该产品的使用寿命。
2. 当工作介质为液体时, 选择该流向可防水锤冲击。
3. 通径为Φ15 / Φ20 / Φ25的产品, 工作压力须在0.3MPa以下, 否则须选择双作用执行器。

通径为Φ32 / Φ40的产品, 执行器须选择双作用Φ100尺寸。

通径为Φ50的产品, 执行器须选择双作用Φ125尺寸。

选择流动方向B时的特点:

当工作介质为蒸汽或气体时, 选择该流动方向时, 可提高该产品的流体密封性能, 但由于阀中V型密封圈长时间接触工作介质, 从而对产品使用寿命有一定影响, 另外, 工作介质为液体时不防水锤冲击。

Flow direction below the seat (direction A)

1. Valves with flow direction below the seat (direction A) ensure long service life.

2. Valves used for liquid media are waterhammer-free.

3. Valves with orifice DN15/DN20/DN25 are ideal for the operating pressure of 0.3MPa.

Valves with orifice DN32/DN40 are operated with double-acting actuators DN100.

Valves with orifice DN50 are operated with double-acting actuators DN125.

Flow direction above the seat (direction B)

Valves with direction B provide high sealing integrity, used for steam and gases media. There is a danger of waterhammer, when the valves used for liquid media.

MOV系列机械阀

MOV Series Mechanical Valve

订购码 | Ordering Code

MOV - **01**

规格代码
机械阀
Specification Code
Mechanical valve

按钮形式
01: 选择型旋钮
02: 滚轮型
03: 连锁型按钮
04: 平圆型按钮
Button Type
01: Selective Knob
02: Roller Type
03: With Lock Button
04: Plat Round Button

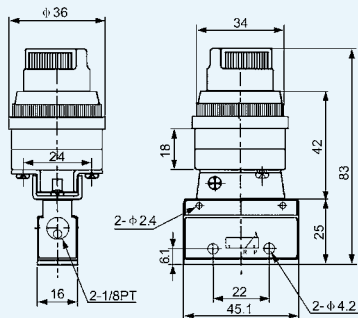


规格 | Specification

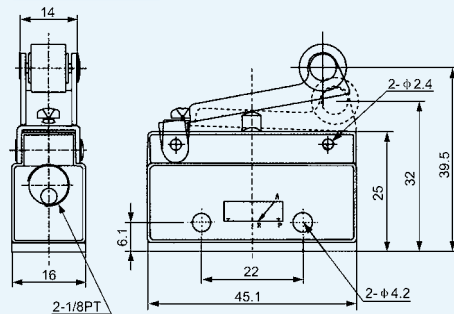
| 型号 Model | MOV-01 | MOV-02 | MOV-03 | MOV-04 |
|---------------------------------------|-----------------------------|--------|--------|--------|
| 工作介质 Working Medium | 空气 Air | | | |
| 使用压力范围 Working-pressure Range | 0 ~ 0.8MPa | | | |
| 使用温度范围 Operating Temperature Range | 0 ~ 70°C | | | |
| 位通数 Position and Way Number | 二位三通 Two-position Three-way | | | |
| 接管口径 Port Size | G1/8" | | | |

外形尺寸 | Overall Dimension

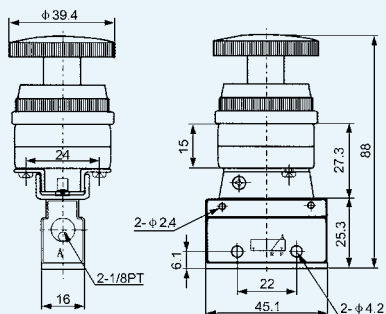
MOV-01



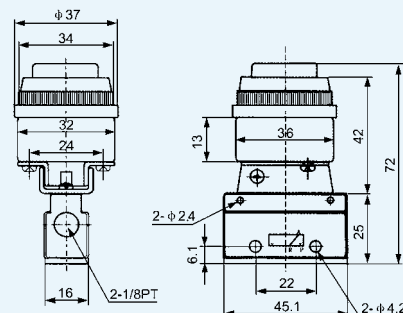
MOV-02



MOV-03



MOV-04

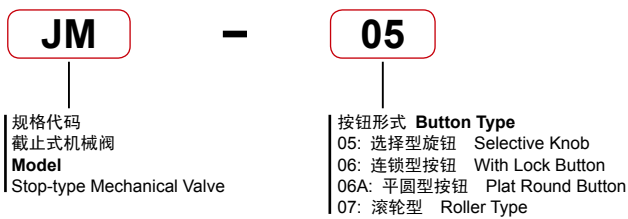


JM系列机械阀

JM Series Mechanical Valve



订购码 | Ordering Code

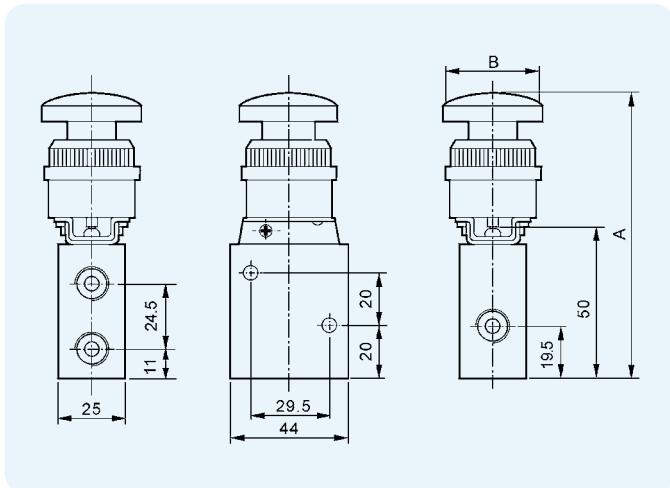


规格 | Specification

| 型号 Model | JM-05 | JM-06 | JM-06A | JM-07 |
|----------------------------------|-----------------------------------|-------|--------|-------|
| 工作介质 Working Medium | 经40微米过滤的空气 40 Micron Filtered Air | | | |
| 位通数 Position and Way NO. | 二位三通 Two-position Three-way | | | |
| 接口口径 Port Size | G1/4" | | | |
| 使用压力范围 Working-pressure Range | 0~0.8MPa | | | |
| 使用温度范围 Operating Temperature | 0~60℃ | | | |

外形尺寸 | Overall Dimension

尺寸表 | Dimension Sheet



| 型号 Model | A | B |
|----------|------|------|
| JM-05 | 114 | 36.5 |
| JM-06 | 111 | 39.5 |
| JM-06A | 96 | 39.5 |
| JM-07 | 84.5 | 42.5 |

MSV系列机械阀 MSV Series Mechanical Valve



订购码 | Ordering Code

| | | | | |
|---|--|---|--|---|
| MSV | 86 | 32 | 1 | R |
| 规格代码 机械阀 Model Mechanical Valve | 系列代号 86系列 98系列 Body size 86 Series 98 Series | 位通数 32: 二位三通 52: 二位五通 Position and Way NO. 32: Two-position Three-way 52: Two-position Five-way | 接口口径 Port Size 1: G1/8" 2: G1/4" | 按钮形式 Button Type 空白:基本型 Blank: Basic Type R: 滚轮型 Roller Type TB: 选择型旋钮 Selective Knob LB: 加长型旋钮 Strengthened Knob PB: 大圆型按钮 Large Round Button PP: 平圆型按钮 Plat Round Button PPL: 凸圆型按钮 Convex Round Button EB: 带锁型按钮 With Lock Button |

规格 | Specification

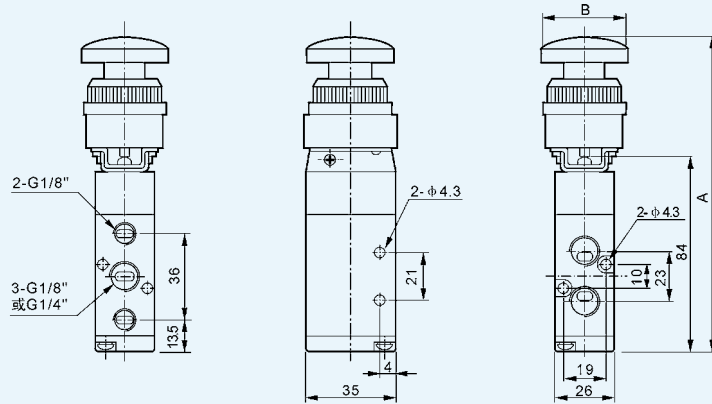
| 型号 Model | MSV86321 | MSV86522 | MSV98322 |
|-----------------------------------|-----------------------------------|-----------------------------|-----------------------------|
| 工作介质 Working Medium | 经40微米过滤的空气 40 Micron Filtered Air | | |
| 位通数 Position and Way NO. | 二位三通 Two-position Three-way | 二位五通 Two-position Five-way | 二位三通 Two-position Three-way |
| 有效截面积 Effective Sectional Area | 12mm ² (CV=0.67) | 16mm ² (CV=0.89) | 16mm ² (CV=0.89) |
| 接口口径 Port Size | G1/8" | G1/4" | G1/4" |
| 使用压力范围 Working-pressure Range | 0~0.8MPa | | |
| 使用温度范围 Operating Temperature | 0~60℃ | | |

机械阀

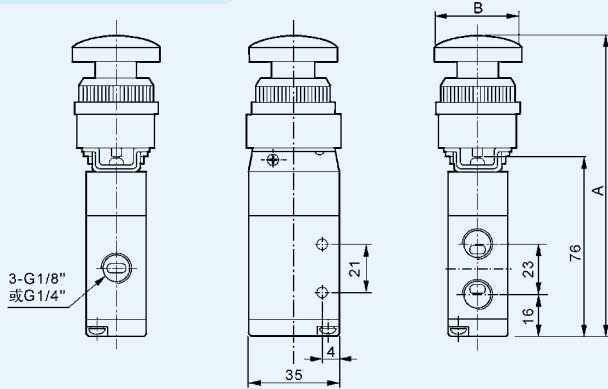
Mechanical Valve

外形尺寸 | Overall Dimension

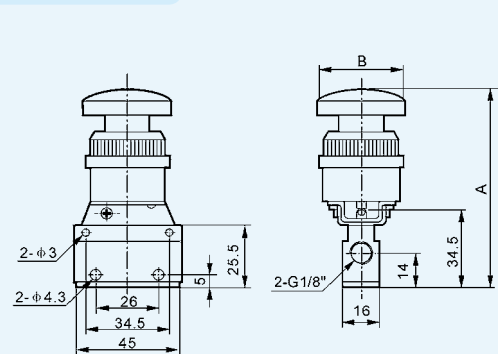
MSV86522



MSV98322



MSV86321



尺寸表 | Dimension Sheet

| 系列 Series | 符号 / 型号 Symbol / Model | PP | PPL | LB | TB | EB | PB | R |
|--------------|---------------------------|------|------|------|-------|------|------|-------|
| MSV86522 | A | 114 | 119 | 133 | 136.5 | 134 | 131 | 107.5 |
| | B | 39.5 | 24.5 | 26.5 | 36.5 | 39.5 | 37.5 | 42.5 |
| MSV98322 | A | 106 | 111 | 125 | 129.5 | 126 | 123 | 99.5 |
| | B | 39.5 | 24.5 | 26.5 | 36.5 | 39.5 | 37.5 | 42.5 |
| MSV86321 | A | 66 | 71 | 85 | 88.5 | 86 | 83 | 59.5 |
| | B | 39.5 | 24.5 | 26.5 | 36.5 | 39.5 | 37.5 | 42.5 |

PP

PPL

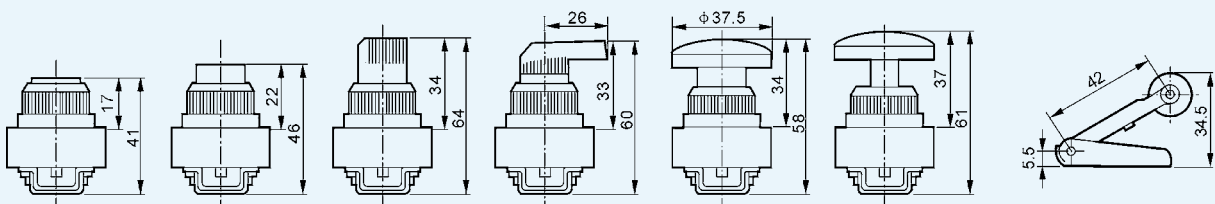
TB

LB

PB

EB

R



脚踏阀 Foot Valve



订购码 | Ordering Code

| | | | | | | | | |
|--|---|--|---|---|---|---------------------------------------|---|---|
| 4F | | 2 | | 10 | - | 08 | - | L |
| 规格代码 4F:二位五通脚踏阀 Model 4F: Two-position Five-way Foot Valve | | 系列代号 2:200系列 Series Code 2: 200 Series | | 位置数 10:单头双位置 Motion Pattern 10: Single-head Double-position | | 接管口径 Port Size 08: G1/4" | | 型式代码 Type 空白: 标准型 L: 附锁型 G: 附护罩型 LG: 附锁及护罩型 Blank: Standard type L: With lock G: With protecting cover LG: With lock and protecting cover |
| FV | - | | 320 | | | | | |
| 规格代码 脚踏阀 Model Foot Valve | | | 位通数 320:二位三通 420:二位四通 Position and Way NO. 320: Two-position Three-way 420: Two-position Four-way | | | | | |

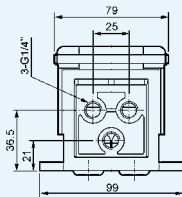
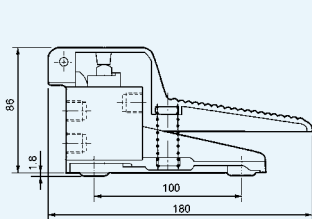
规格 | Specification

| 型号 Model | 4F210-08 | 4F210-08L | 4F210-08G | 4F210-08LG | FV420 | FV320 |
|---------------------------------------|---|-----------|-----------|---|-------------------------------|-------------------------------|
| 工作介质 Working Medium | 经40微米过滤的空气 40 Micron Filtered Air | | | | | |
| 位通数 Position and Way NO. | 二位五通 Two-position Five-way | | | | 二位四通 Two-position Four-way | 二位三通 Two-position Four-way |
| 动作形式 Motion Pattern | 直动式 Direct Drive Type | | | | | |
| 接口口径 Port Size | 进气=出气=排气=G1/4" Air Inlet=Air Outlet=Exhaust=G1/4" | | | 进气=出气=G1/4" 排气=G1/8" Air Inlet=Air Outlet=G1/4" Exhaust=G1/8" | | |
| 使用压力范围 Working-pressure Range | 0~0.8MPa | | | | | |
| 使用温度范围 Operating Temperature Range | 0~60℃ | | | | | |

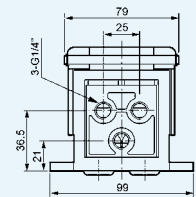
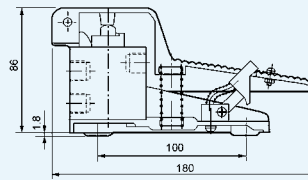
脚踏阀 Foot Valve

外形尺寸 | Overall Dimension

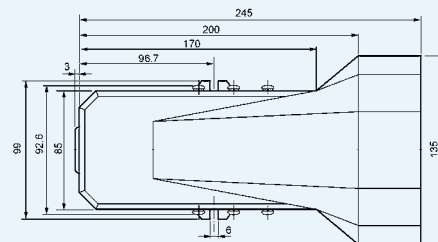
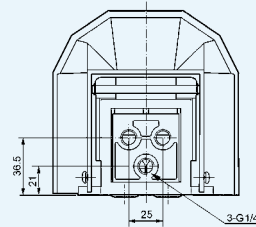
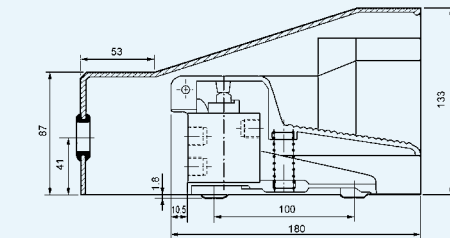
4F210-08



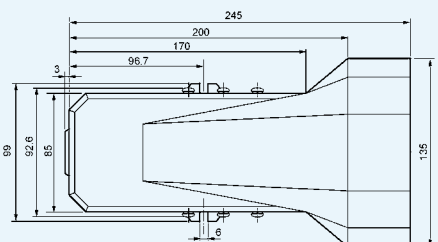
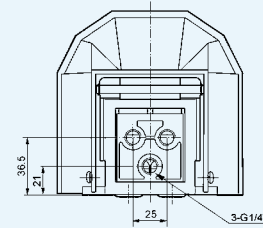
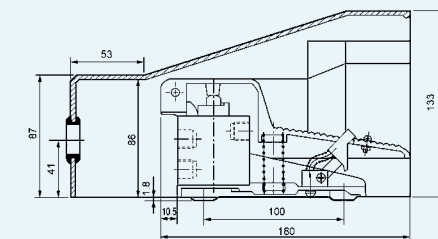
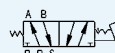
4F210-08L



4F210-08G



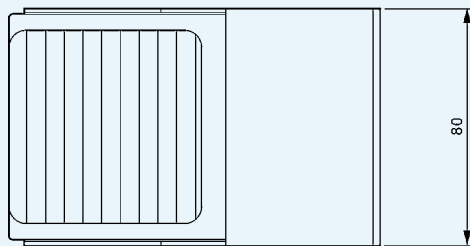
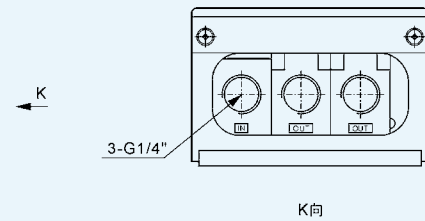
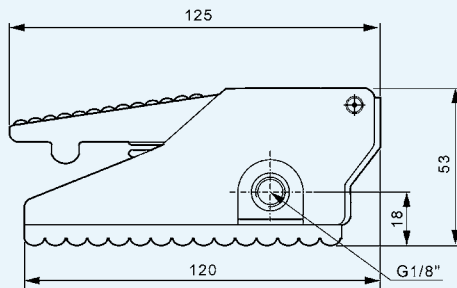
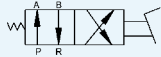
4F210-08LG



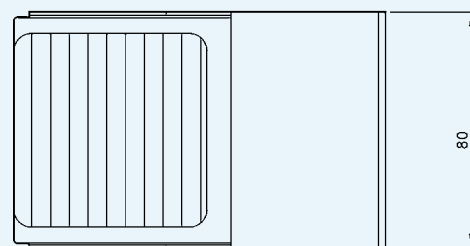
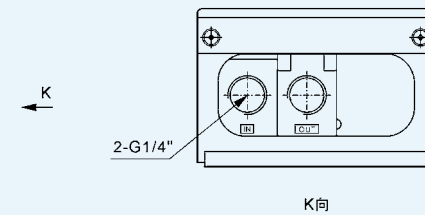
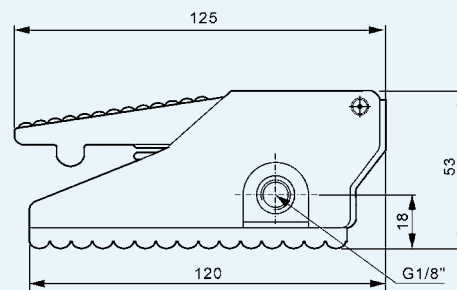
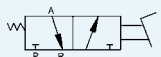
脚踏阀 Foot Valve

外形尺寸 | Overall Dimension

FV420



FV320



B

手扳阀 Hand Level Valve



订购码 | Ordering Code

4H

规格代码
4H: 二(三)位五通手扳阀
4HA: 弹簧复位手扳阀
Model
4H: Two(Three)-position
five-way hand level valve
4HA: Spring return hand
level valve

2

系列代号
2: 200系列
3: 300系列
4: 400系列
Body size
2: 200 Series
3: 300 Series
4: 400 Series

10

位置数
10: 单头双位置
30: 单头三位置
10C: 三位五通中央封闭型
30E: 三位五通中央排气型
Motion Pattern
10: Single-head Double-position
30: Single-head Three-position
10C: Three-position five-way mid-position closed
30E: Three-position five-way mid-position exhaust

-

06

接管口径
Port Size
06: G1/8"
08: G1/4"
10: G3/8"
15: G1/2"

规格 | Specification

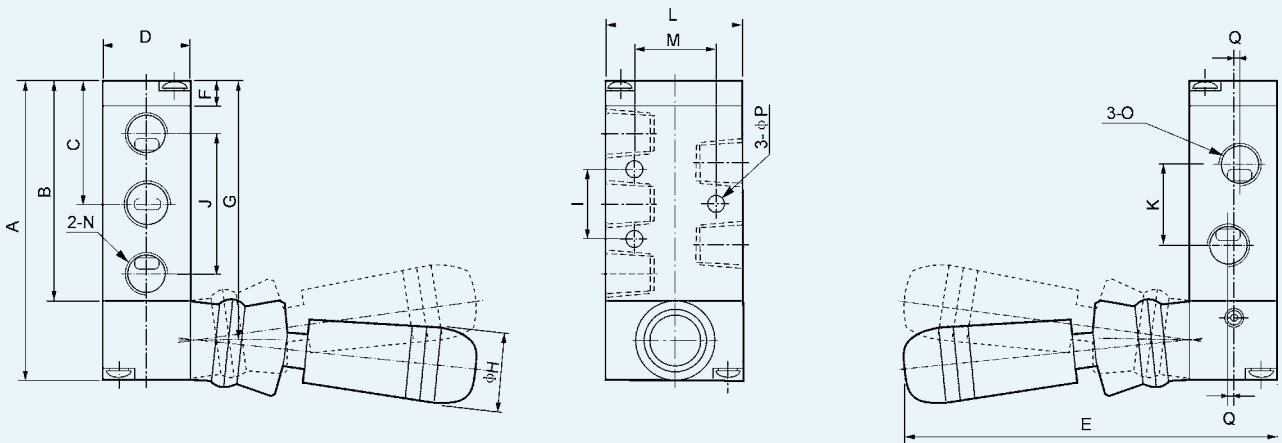
| 型号 Model | 4H210-06 4H230-06 | 4H210-08 | 4H230-08 | 4H310-08 4H330-08 | 4H310-10 4H330-10 | 4H410-15 |
|-----------------------------------|--|---|-----------------------------|--|--|--|
| 工作介质 Working Medium | 经40微米过滤的空气 40 Micron Filtered Air | | | | | |
| 动作方式 Motion Pattern | 直动式 Direct Drive Type | | | | | |
| 有效截面积 Effective Sectional Area | 14mm ² (CV=0.78) | 16mm ² (CV=0.89) | 12mm ² (CV=0.67) | 25mm ² (CV=1.4) | 30mm ² (CV=1.68) | 50mm ² (CV=2.79) |
| 接口口径 Port Size | 进气=出气= 排气=G1/8" Air Inlet= Air Outlet= Exhaust=G1/8" | 进气=出气=G1/4" 排气=G1/8" Air Inlet=Air Outlet=G1/4" Exhaust=G1/8" | | 进气=出气 =排气=G1/4" Air Inlet= Air Outlet= Exhaust=G1/4" | 进气=出气=G3/8" 排气=G1/4" Air Inlet=Air Outlet =G3/8" Exhaust=G1/4" | 进气=出气= 排气=G1/2" Air Inlet= Air Outlet= Exhaust=G1/2" |
| 使用压力范围 Working-pressure Range | 0~0.8MPa | | | | | |
| 使用温度范围 Operating Temperature | 0~60℃ | | | | | |

手扳阀

Hand-pull Valve

外形尺寸 | Overall Dimension

4H Series



尺寸表 | Dimension Sheet

| 符号/型号 Symbol/Model | 4H210-06 | 4H230-06 | 4HA230-06 | 4H210-08 | 4H230-08L | 4HA230-08 | 4H310-08 | 4H310-10 | 4H410-15 |
|-----------------------|----------|----------|-----------|----------|-----------|-----------|----------|----------|----------|
| A | 76 | | 95 | 76 | | 95 | 92 | 92 | 126 |
| B | 56.5 | | 75.5 | 56.5 | | 75.5 | 72.5 | 72.5 | 102 |
| C | 31.5 | | 31.5 | 31.5 | | 31.5 | 40 | 40 | 55.5 |
| D | 22 | | 22 | 22 | | 22 | 27 | 27 | 34 |
| E | 95 | | 95 | 95 | | 95 | 100 | 100 | 110 |
| F | 6.5 | | 6.5 | 6.5 | | 6.5 | 7.5 | 7.5 | 7.5 |
| G | 66.5 | | 85.5 | 66.5 | | 85.5 | 82.5 | 82.5 | 114 |
| H | 18 | | 18 | 18 | | 18 | 18 | 18 | 18 |
| I | 20 | | 20 | 20 | | 20 | 24 | 24 | 28 |
| J | 36 | | 36 | 36 | | 36 | 45 | 45 | 63 |
| K | 21 | | 21 | 21 | | 21 | 24 | 24 | 36 |
| L | 35 | | 35 | 35 | | 35 | 40 | 40 | 50 |
| M | 21 | | 21 | 21 | | 21 | 27 | 27 | 35 |
| N | G1/8" | | G1/8" | G1/8" | | G1/8" | G1/4" | G1/4" | G1/2" |
| O | G1/8" | | G1/8" | G1/4" | | G1/4" | G1/4" | G3/8" | G1/2" |
| P | 4.3 | | 4.3 | 4.3 | | 4.3 | 4.3 | 4.3 | 5.5 |
| Q | - | | - | 1.5 | | 1.5 | - | 2 | - |

手扳阀 Hand Level Valve



订购码 | Ordering Code

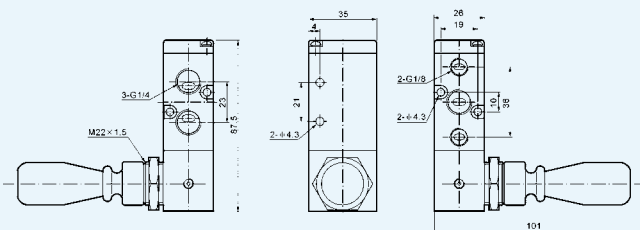
| | | | | | | | | | |
|---|--|--|---|--|---|---|--|---|--|
| TSV86 | 52 | 2 | - | M | TSV98 | 32 | 2 | - | M |
| 规格代码 手扳阀 Model Hand Level Valve | 位通数 二位五通 Position and Way NO. Two-position Five-way | 口径代号 Port Size 1: G1/8" 2: G1/4" | | 形式代号 M:机械锁定式 S:弹簧复位式 Type Code M:Machinery Locking Type S:Spring Reset Type | 规格代码 手扳阀 Model Hand Level Valve | 位通数 二位三通 Position and Way NO. Two-position Three-way | 口径代号 Port Size 1: G1/8" 2: G1/4" | | 形式代号 M:机械锁定式 S:弹簧复位式 Type Code M:Machinery Locking Type S:Spring Reset Type |

规格 | Specification

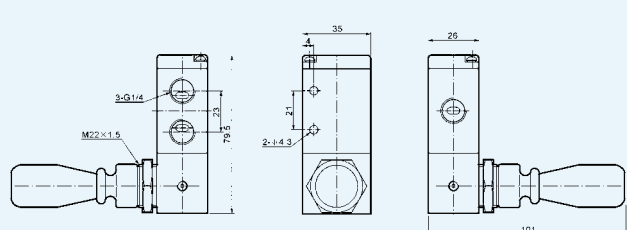
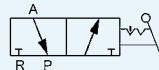
| 型号 Model | TSV86522 ^M / _S | TSV98322 ^M / _S |
|-----------------------------------|--------------------------------------|--------------------------------------|
| 工作介质 Working Medium | 经40微米过滤的空气 40 Micron Filtered Air | |
| 动作方式 Motion Pattern | 直动式 Direct Drive Type | |
| 有效截面积 Effective Sectional Area | 18mm ² (CV=1.00) | |
| 接口口径 Port Size | G1/4" | |
| 使用压力范围 Working-pressure Range | 0~0.8MPa | |
| 使用温度范围 Operating Temperature | 0~60℃ | |

外形尺寸 | Overall Dimension

TSV86522



TSV98322



手转阀

Hand-switching Valve



订购码 | Ordering Code

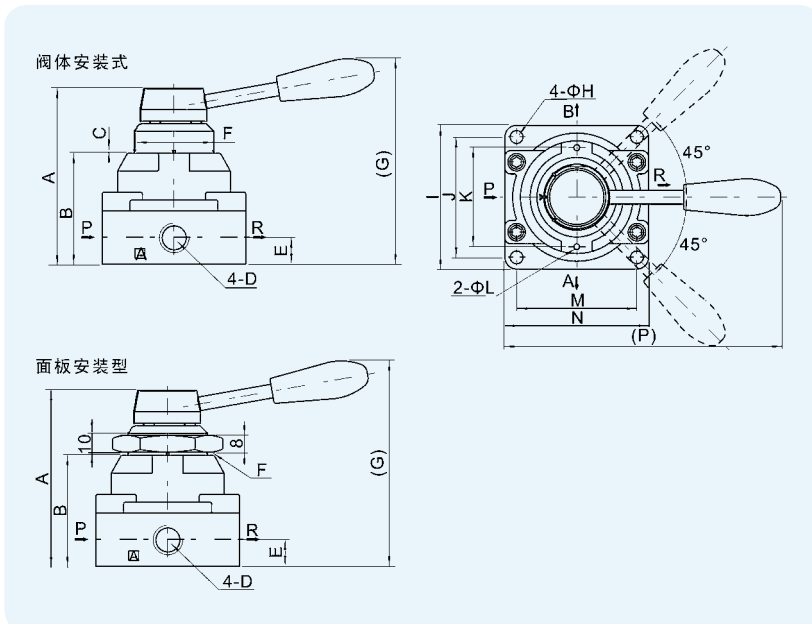
| 4HV | 2 | 30 | - | 06 | S | L | □ | | | | | | | | | | | | | | | | |
|---|--|---|--------------------------|---|---|--|----------|-----------|-----|---------|----------|---------|-----|---------|----------|---------|-----|---------|----------|---------|--|--|--|
| 规格代号 Model 4HV: 手转阀 4HV: Hand-switching Valve | 系列代号 2: 2系列 3: 3系列 4: 4系列 Series 2: 2 Series 3: 3 Series 4: 4 Series | 位置数 10: 二位四通 30: 三位四通中封型 Motion Pattern 10: Two-position Four-way 30: Three-position Four-way Mid-position Closed | 接管口径 Port Size | 安装形式 空白: 阀体安装 S: 面板安装 (附带螺母) Install Type Blank: Valve body install S: Panel install (With nut) | 附锁代号 空白: 不附锁 L: 附锁 Lock Code Blank: Without Lock L: With Lock | 牙型代号 空白: PT牙 T: NPT牙 G: G牙 Cog Code Blank: PT thread T: NPT thread G: G thread | | | | | | | | | | | | | | | | | |
| | | | | <table border="1"> <thead> <tr> <th>产品系列</th> <th>接管口径</th> </tr> <tr> <th>Series</th> <th>Port Size</th> </tr> </thead> <tbody> <tr> <td>2系列</td> <td>06:G1/8</td> </tr> <tr> <td>2 Series</td> <td>08:G1/4</td> </tr> <tr> <td>3系列</td> <td>08:G1/4</td> </tr> <tr> <td>3 Series</td> <td>10:G3/8</td> </tr> <tr> <td>4系列</td> <td>15:G1/2</td> </tr> <tr> <td>4 Series</td> <td>20:G3/4</td> </tr> </tbody> </table> | 产品系列 | 接管口径 | Series | Port Size | 2系列 | 06:G1/8 | 2 Series | 08:G1/4 | 3系列 | 08:G1/4 | 3 Series | 10:G3/8 | 4系列 | 15:G1/2 | 4 Series | 20:G3/4 | | | |
| 产品系列 | 接管口径 | | | | | | | | | | | | | | | | | | | | | | |
| Series | Port Size | | | | | | | | | | | | | | | | | | | | | | |
| 2系列 | 06:G1/8 | | | | | | | | | | | | | | | | | | | | | | |
| 2 Series | 08:G1/4 | | | | | | | | | | | | | | | | | | | | | | |
| 3系列 | 08:G1/4 | | | | | | | | | | | | | | | | | | | | | | |
| 3 Series | 10:G3/8 | | | | | | | | | | | | | | | | | | | | | | |
| 4系列 | 15:G1/2 | | | | | | | | | | | | | | | | | | | | | | |
| 4 Series | 20:G3/4 | | | | | | | | | | | | | | | | | | | | | | |

规格 | Specification

| 型号 Model | 4HV2□□-06(L) | 4HV2□□-08(L) | 4HV3□□-08(L) | 4HV3□□-10(L) | 4HV4□□-15(L) | 4HV4□□-20(L) |
|-----------------------------------|---|----------------------------------|----------------------------------|----------------------------------|----------------------------------|----------------------------------|
| 工作介质 Working Medium | 空气 (经40 μm滤网过滤) 40 Micron Filtered Air | | | | | |
| 动作方式 Motion Pattern | 手控直动式 Manual Direct Drive Type | | | | | |
| *接管口径 Port Size | G1/8 | G1/4 | G1/4 | G3/8 | G1/2 | G3/4 |
| 有效截面积 Effective Sectional Area | 14.0mm ² (Cv=0.78) | 16.0mm ² (Cv=0.89) | 30.0mm ² (Cv=1.67) | 33.0mm ² (Cv=1.83) | 88.0mm ² (Cv=4.89) | 95.0mm ² (Cv=5.27) |
| 位置数 Motion Pattern | 二位四通 Two-position Four-way、三位四通 Three-position Four-way | | | | | |
| 润滑 Lubricate | 不需要 Not Necessary | | | | | |
| 使用压力范围 Operating Pressure Range | 0~1.0MPa | | | | | |
| 保证耐压力 Ensured Pressure Resistance | 1.5MPa | | | | | |
| 工作温度 Operating Temperature | -20~70°C | | | | | |
| 工作角度 Operating Angle | 90°(三位四通为 Three-position Four-way 45°) | | | | | |

*接管牙型有NPT、G牙可供选择。

外形尺寸 | Overall Dimension



尺寸表 | Dimension Sheet

| 型号/符号 Model / Symbol | A | B | C | D | E | F | G | |
|-------------------------|------|-----|-----|------|------|---------|------|-----|
| 4HV2□□-06 | 73 | 45 | 1.5 | G1/8 | 11.5 | M34×1.5 | 92.5 | |
| 4HV2□□-08 | 73 | 45 | 1.5 | G1/4 | 11.5 | M34×1.5 | 92.5 | |
| 4HV3□□-08 | 88.5 | 56 | 1.5 | G1/4 | 13.5 | M40×1.5 | 104 | |
| 4HV3□□-10 | 88.5 | 56 | 1.5 | G3/8 | 13.5 | M40×1.5 | 104 | |
| 4HV4□□-15 | 110 | 72 | 2 | G1/2 | 18 | M52×1.5 | 128 | |
| 4HV4□□-20 | 110 | 72 | 2 | G3/4 | 18 | M52×1.5 | 128 | |
| 型号/符号 Model / Symbol | H | I | J | K | L | M | N | P |
| 4HV2□□-06 | 5.5 | 62 | 49 | 40 | 3 | 49 | 62 | 120 |
| 4HV2□□-08 | 5.5 | 62 | 49 | 40 | 3 | 49 | 62 | 120 |
| 4HV3□□-08 | 6.5 | 74 | 62 | 51 | 3 | 62 | 74 | 140 |
| 4HV3□□-10 | 6.5 | 74 | 62 | 51 | 3 | 62 | 74 | 140 |
| 4HV4□□-15 | 6.5 | 102 | 89 | 64 | 3 | 81 | 94 | 160 |
| 4HV4□□-20 | 6.5 | 102 | 89 | 64 | 3 | 81 | 94 | 160 |

手拉阀

Hand-draw Valve



订购码 | Ordering Code

4R

规格代码
4R: 二位五通手拉阀
3R: 二位三通手拉阀

Model
4R: Two-position Five-way Hand-draw Valve
3R: Two-position Three-way Hand-draw Valve

2

系列代号
2: 200系列
Body Size
2: 200 Series

10

位置数
10: 单头双位置
Motion Pattern
10: Single-head Double-position

-

06

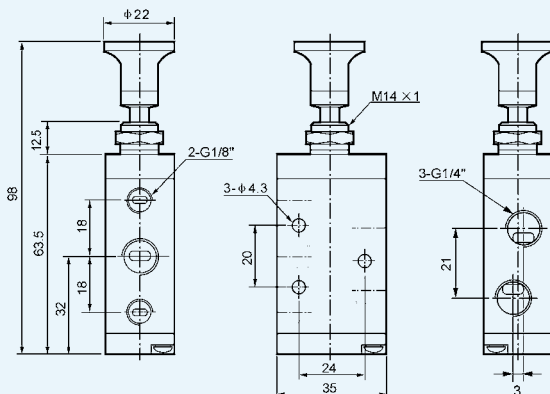
接管口径
Port Size
06: G1/8"
08: G1/4"

规格 | Specification

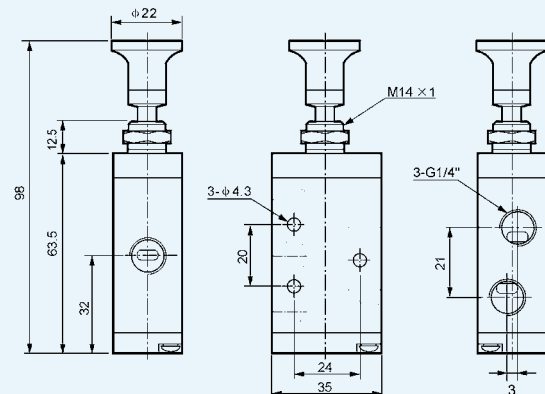
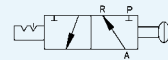
| 型号 Model | 4R210-06 | 4R210-08 | 3R210-06 | 3R210-08 |
|-----------------------------------|--|--|--|--|
| 工作介质 Working Medium | 经40微米过滤的空气 40 Micron Filtered Air | | | |
| 位通数 Position and Way NO. | 二位五通 Two-position Five-way | | 二位三通 Two-position Three-way | |
| 有效截面积 Effective Sectional Area | 14mm ² (CV=0.78) | 16mm ² (CV=0.89) | 14mm ² (CV=0.78) | 16mm ² (CV=0.89) |
| 接口口径 Port Size | 进气=出气=排气=G1/8" Air Inlet=Air Outlet=Exhaust=G1/8" | 进气=出气=G1/4" 排气=G1/8" Air Inlet=Air Outlet=G1/4" Exhaust=G1/8" | 进气=出气=排气=G1/8" Air Inlet=Air Outlet=Exhaust=G1/8" | 进气=出气=排气=G1/4" Air Inlet=Air Outlet=Exhaust=G1/4" |
| 使用压力范围 Working-pressure Range | 0~0.8MPa | | | |
| 使用温度范围 Operating Temperature | 0~60℃ | | | |

外形尺寸 | Overall Dimension

4R210-08



3R210-08



MV系列手滑阀

MV Series Hand Sliding Valve

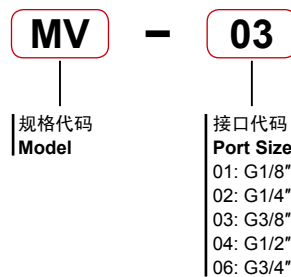


产品说明 | Product Explain

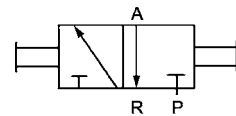
该阀是一种二位三通手动滑阀，常接在管道中用作气源开关，当气源关闭的同时，气动系统中的气压亦即排空。

This valve is a two-position three-way hand sliding valve, which is usually installed in the piping to turn on/off airs. When it is turned off, the air pressure in the pneumatic system is exhausted simultaneously.

订购码 | Ordering Code



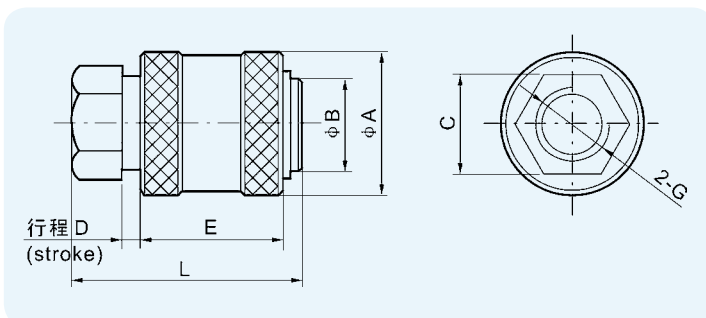
图形符号 | Graphic Symbol



规格 | Specification

| 型号 Model | MV-01 | MV-02 | MV-03 | MV-04 | MV-06 |
|-----------------------------|-----------------------|-------|-------|-------|-------|
| 接管口径 Port Size | G1/8" | G1/4" | G3/8" | G1/2" | G3/4" |
| 流量通径 Flow Bore | 4 mm | 7 mm | 10 mm | 12 mm | 18 mm |
| 工作介质 Working Medium | 经过滤的压缩空气 Filtered Air | | | | |
| 工作压力 Working-pressure | 0 ~ 1.0MPa | | | | |
| 环境温度 Ambient Temperature | 5 ~ 60℃ | | | | |
| 操作力 Working Force | 20N | | | 30N | |

外形尺寸 | Overall Dimension



尺寸表 | Dimension Sheet

| 型号 / 符号 Model / Symbol | A | B | C | D | E | L | G |
|---------------------------|----|----|----|----|----|----|-------|
| MV-01 | 20 | 13 | 14 | 3 | 20 | 32 | G1/8" |
| MV-02 | 27 | 18 | 19 | 5 | 32 | 48 | G1/4" |
| MV-03 | 30 | 21 | 22 | 5 | 32 | 48 | G3/8" |
| MV-04 | 38 | 24 | 27 | 10 | 40 | 70 | G1/2" |
| MV-06 | 45 | 32 | 34 | 10 | 45 | 75 | G3/4" |

KA系列单向阀

KA Series Check Valve

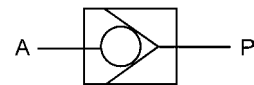


产品说明 | Product Explain

该阀是一种单向型方向控制元件，当工作介质通过本阀时，只能沿着一个给定的方向流动。在工作中，如果介质压力方向有变化时，本阀可起截止作用，使系统中介质不能返回，故本产品又叫逆止阀。

The valve is unidirectional control element. When passing the valve, the working medium can only flow along a given direction. In operation, when the medium pressure direction changes, the valve functions to stop the return of the medium in the system. Therefore, the product is also called non-return valve.

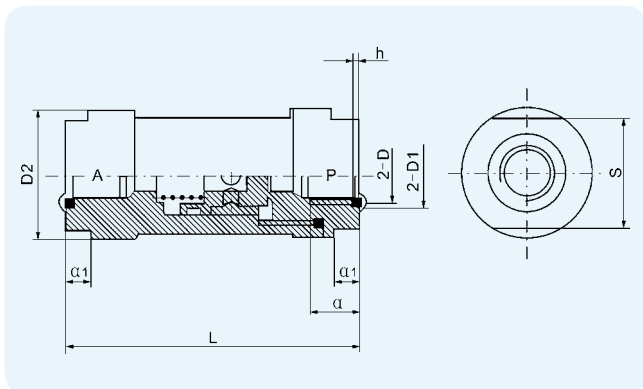
图形符号 | Graphic Symbol



规格 | Specification

| 型号 Model | KA-3 | KA-6 | KA-8 | KA-10 | KA-15 | KA-20 | KA-25 | KA-32 | KA-40 | KA-50 |
|--|---------------|------|------|-------|-------|-------|-------|-------|-------|-------|
| 工作压力 Working-pressure | 0.05 ~ 0.8MPa | | | | | | | | | |
| 环境温度 Environment Temperature | -10 ~ +55℃ | | | | | | | | | |
| 介质温度 Medium Temperature | 0 ~ +55℃ | | | | | | | | | |
| 流通能力S值 (mm ²) Circulating Ability | 4 | 10 | 20 | 40 | 60 | 110 | 190 | 300 | 400 | 650 |
| 开启能力 Startup Ability | ≤ 0.03MPa | | | | | | | | | |
| 泄漏量 (cm ³ /min) Leak Out Flow | 30 | 50 | 50 | 120 | 120 | 250 | 250 | 500 | 500 | 500 |
| 响应时间 (Sec) Respond Time | 0.03 | | | | | | | | | |
| 寿命 (万次) Life (Ten thousand Times) | ≥ 150 | | | | | | | | | |

外形尺寸 | Overall Dimension



尺寸表 | Dimension Sheet

| 型号 Model | 公称口径 Orifice Size | D | D1 | D2 | S | L | a | a1 | h |
|----------|----------------------|-----------------|-----|------|----|-----|----|----|-----------------------------------|
| KA-L3 | 3 | M6×1 | Φ9 | Φ15 | 12 | 36 | 6 | 5 | 1.4 ⁰ _{-0.1} |
| KA-L6 | 6 | G1/8 M10×1 | Φ13 | Φ28 | 24 | 64 | 10 | 6 | 1.4 ⁰ _{-0.1} |
| KA-L8 | 8 | G1/4 M12×1.5 | Φ16 | Φ28 | 24 | 64 | 12 | 6 | 1.4 ⁰ _{-0.1} |
| KA-L10 | 10 | G3/8 M16×1.5 | Φ20 | Φ40 | 36 | 86 | 14 | 10 | 1.8 ⁰ _{-0.1} |
| KA-L15 | 15 | G1/2 M20×1.5 | Φ26 | Φ40 | 36 | 86 | 14 | 10 | 1.8 ⁰ _{-0.1} |
| KA-L20 | 20 | G3/4 M27×2 | Φ32 | Φ55 | 46 | 112 | 21 | 12 | 1.8 ⁰ _{-0.1} |
| KA-L25 | 25 | G1 M33×2 | Φ40 | Φ55 | 46 | 112 | 23 | 12 | 2.7 ⁰ _{-0.12} |
| KA-L32 | 32 | G1 1/4 M42×2 | Φ48 | Φ88 | 75 | 161 | 25 | 22 | 2.7 ⁰ _{-0.12} |
| KA-L40 | 40 | G1 1/2 M48×2 | Φ54 | Φ88 | 75 | 161 | 26 | 26 | 2.7 ⁰ _{-0.12} |
| KA-L50 | 50 | G2 M60×2 | Φ70 | Φ100 | 90 | 95 | 26 | 26 | 4.5 ⁰ _{-0.18} |

梭阀 Shuttle Valve



订购码 | Ordering Code

ST

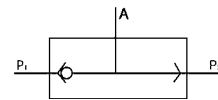
规格代码
ST: 梭阀
Model
ST: Shuttle Valve

-

01

接管口径
Port Size
01: G1/8" 04: G1/2"
02: G1/4" 06: G3/4"
03: G3/8" 08: G1"

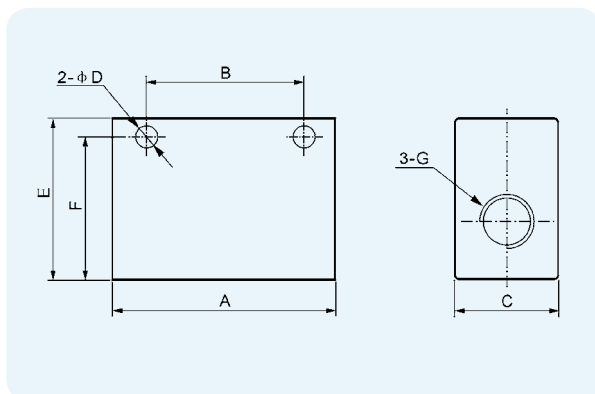
图形符号 | Graphic Symbol



规格 | Specification

| 型号 Model | ST-01 | ST-02 | ST-03 | ST-04 | ST-06 | ST-08 |
|-----------------------------------|--------------------|-------------------|-------------------|-------------------|--------------------|--------------------|
| 工作介质 Working Medium | 空气 Air | | | | | |
| 有效截面积 Effective Sectional Area | 7.5mm ² | 21mm ² | 40mm ² | 60mm ² | 110mm ² | 190mm ² |
| 接管口径 Port Size | G1/8" | G1/4" | G3/8" | G1/2" | G3/4" | G1" |
| 使用压力范围 Working-pressure Range | 0 ~ 1.0MPa | | | | | |
| 使用温度范围 Operating Temperature | 0 ~ 60°C | | | | | |

外形尺寸 | Overall Dimension



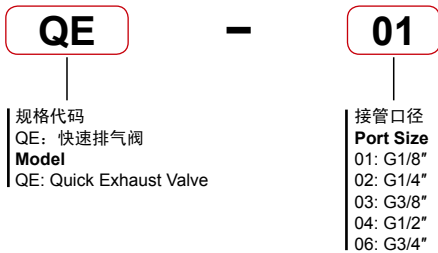
尺寸表 | Dimension Sheet

| 型号 Model | A | B | C | D | E | F | G |
|----------|-----|----|----|-----|----|------|-------|
| ST-01 | 40 | 24 | 16 | 4.5 | 25 | 20.5 | G1/8" |
| ST-02 | 50 | 35 | 22 | 5.5 | 35 | 25 | G1/4" |
| ST-03 | 75 | 48 | 30 | 7 | 50 | 42 | G3/8" |
| ST-04 | 75 | 48 | 30 | 7 | 50 | 42 | G1/2" |
| ST-06 | 110 | 72 | 40 | 7 | 70 | 58 | G3/4" |
| ST-08 | 110 | 72 | 40 | 7 | 70 | 58 | G1" |

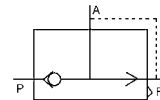
快速排气阀 Quick Exhaust Valve



订购码 | Ordering Code



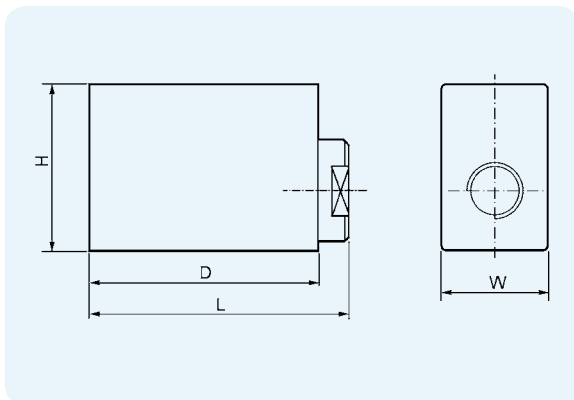
图形符号 | Graphic Symbol



规格 | Specification

| 型号 Model | QE-01 | QE-02 | QE-03 | QE-04 | QE-06 |
|-----------------------------------|-------------------|---------------------|-------------------|-------------------|---------------------|
| 工作介质 Working Medium | 空气 Air | | | | |
| 有效截面积 Effective Sectional Area | 16mm ² | 27.5mm ² | 28mm ² | 71mm ² | 72.5mm ² |
| 接管口径 Port Size | G1/8" | G1/4" | G3/8" | G1/2" | G3/4" |
| 使用压力范围 Working-pressure Range | 0 ~ 0.8MPa | | | | |
| 使用温度范围 Operating Temperature | 0 ~ 60°C | | | | |

外形尺寸 | Overall Dimension



尺寸表 | Dimension Sheet

| 型号 Model | 口径 Bore | L | W | H | D |
|----------|---------|----|----|----|----|
| QE-01 | G1/8" | 39 | 18 | 27 | 35 |
| QE-02 | G1/4" | 54 | 28 | 36 | 50 |
| QE-03 | G3/8" | 54 | 28 | 36 | 50 |
| QE-04 | G1/2" | 66 | 28 | 36 | 50 |

AQ系列快速排气阀

AQ Series Quick Exhaust Valve



订购码 | Ordering Code

| | | |
|--|---|---|
| AQ | - | 01 |
| | | |
| 规格代码 AQ: 快速排气阀 Model AQ: Quick Exhaust Valve | | 接管口径 Port Size 01: G1/8" 02: G1/4" 03: G3/8" 04: G1/2" 06: G3/4" |

XQ系列快速排气阀

XQ Series Quick Exhaust Valve



订购码 | Ordering Code

| | | |
|--|---|--|
| XQ | - | 01 |
| | | |
| 规格代码 XQ: 快速排气阀 Model XQ: Quick Exhaust Valve | | 接管口径 Port Size 01: G1/8" 02: G1/4" 03: G3/8" 04: G1/2" |

KLA系列单向节流阀

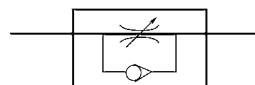
KLA Series Flow control valve



订购码 | Ordering Code



图形符号 | Graphic Symbol

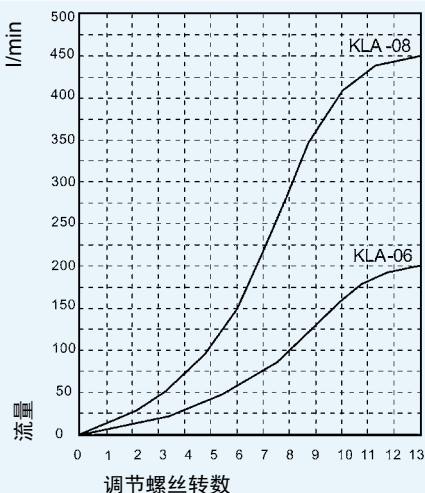


规格 | Specification

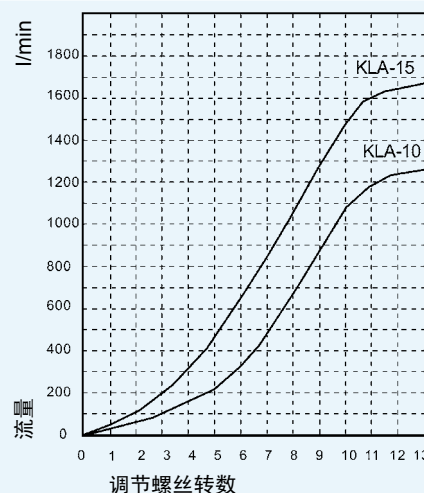
| 型号 Model | KLA-06 | KLA-08 | KLA-10 | KLA-15 | |
|---------------------------------------|--------------------------------|--------|--------|--------|------|
| 工作介质 Working Medium | 空气 Air | | | | |
| 接管口径 Port Size | G1/8" | G1/4" | G3/8" | G1/2" | |
| 使用压力范围 Working-pressure Range | 0.5~9.5 Kg/cm ² | | | | |
| 保证耐压力 Ensured Pressure Resistance | 15.0 Kg/cm ² | | | | |
| 使用温度范围 Operating Temperature | -5~60℃ | | | | |
| 本体材质 Body of Material | 铝合金 LY12 / Aluminum Alloy LY12 | | | | |
| 标准额定流量 (L/min) Standard Rated Flow | 节流阀 Check Valve | 200 | 450 | 1250 | 1650 |
| | 单向阀 One-way Valve | 400 | 800 | 1500 | 2000 |

流量与调节螺纹转数的关系 Flow & Adjust Screw Thread Turn No. Nexus

KLA-06
KLA-08



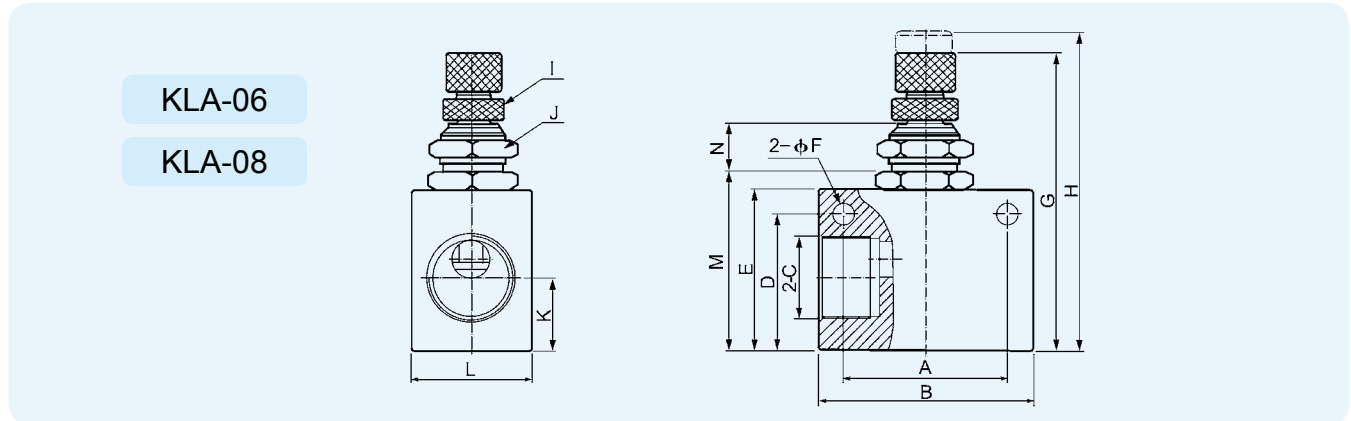
KLA-10
KLA-15



KLA系列单向节流阀

KLA Series Flow control valve

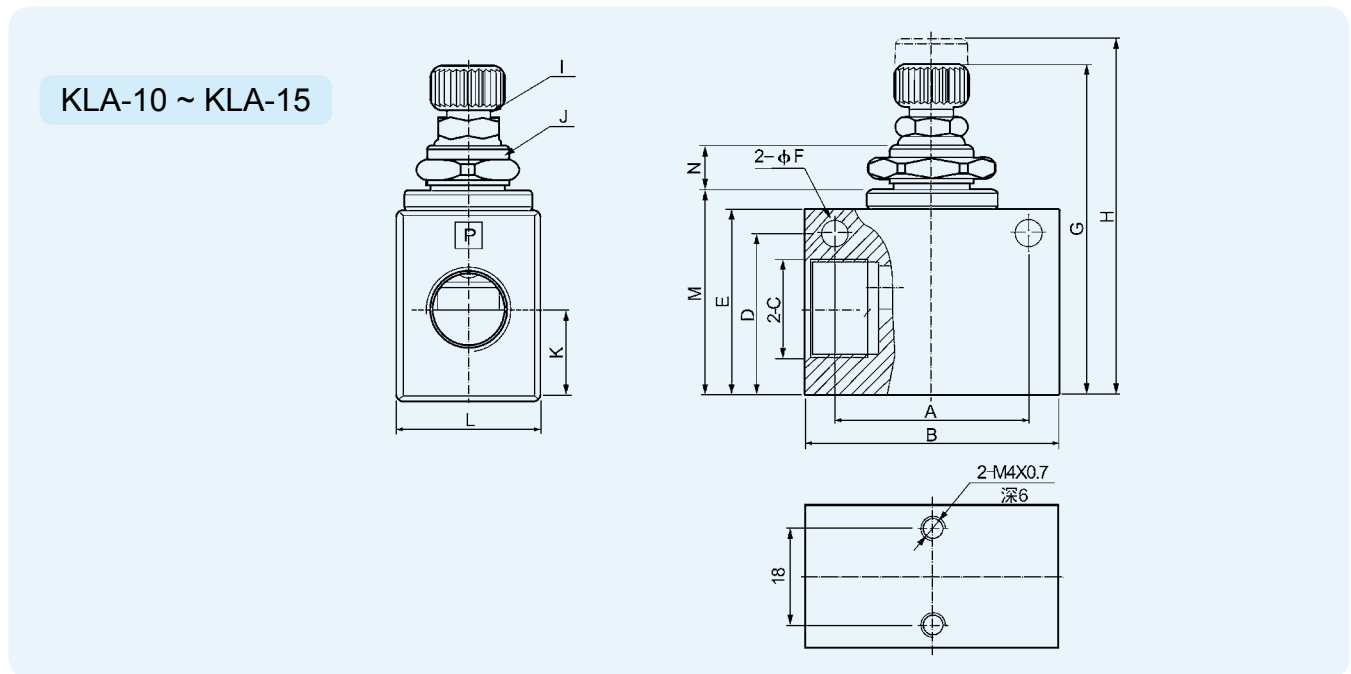
外形尺寸 | Overall Dimension



尺寸表 | Dimension Sheet

| 型号 / 符号 Model / Symbol | A | B | C | D | E | F | G | H | I | J | K | L | M | N |
|---------------------------|----|----|-------|----|----|-----|------|------|--------|----------|------|----|----|-----|
| KLA-06 | 22 | 32 | PT1/8 | 18 | 23 | 4.3 | 46.8 | 52.3 | M6×0.5 | M12×0.75 | 10 | 18 | 26 | 8.6 |
| KLA-08 | 26 | 36 | PT1/4 | 23 | 27 | 4.3 | 50.8 | 56.3 | M6×0.5 | M12×0.75 | 13.5 | 18 | 30 | 8.6 |

外形尺寸 | Overall Dimension



尺寸表 | Dimension Sheet

| 型号 / 符号 Model / Symbol | A | B | C | D | E | F | G | H | I | J | K | L | M | N |
|---------------------------|----|----|-------|----|----|-----|----|----|---------|---------|------|----|------|------|
| KLA-10 | 35 | 50 | G3/8" | 32 | 37 | 5.3 | 65 | 74 | M8×0.75 | M16 × 1 | 17.5 | 28 | 40.5 | 10.2 |
| KLA-15 | 35 | 50 | G1/2" | 32 | 37 | 5.3 | 65 | 74 | M8×0.75 | M16 × 1 | 17.5 | 28 | 40.5 | 10.2 |

流量控制阀

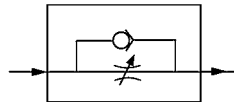
ASC series Flow Control Valve



订购码 | Ordering Code



图形符号 | Graphic Symbol



规格 | Specification

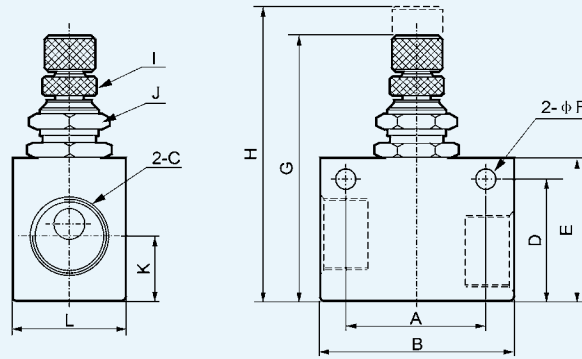
| 型号 Model | 精密型 Accurate Type | | | | 普通型 Ordinary Type | | | |
|----------------------------------|-------------------|--------|--------|--------|-------------------|-------|-------|-------|
| | ASC-06 | ASC-08 | ASC-10 | ASC-15 | RE-01 | RE-02 | RE-03 | RE-04 |
| 接管口径 Port Size | G1/8" | G1/4" | G3/8" | G1/2" | G1/8" | G1/4" | G3/8" | G1/2" |
| 工作介质 Working Medium | 空气 Air | | | | | | | |
| 使用压力范围 Working-pressure Range | 0~0.95MPa | | | | | | | |
| 使用温度范围 Operating Temperature | 0~60℃ | | | | | | | |

流量控制阀

Flow Control Valve

外形尺寸 | Overall Dimension

ASC Series

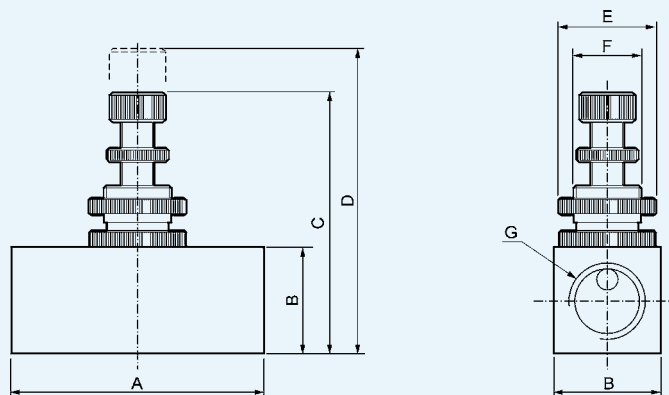


尺寸表 | Dimension Sheet

| 型号 / 符号 Model / symbol | A | B | C | D | E | F | G | H | I | J | K | L |
|---------------------------|----|----|-------|----|----|-----|------|------|--------|----------|------|----|
| ASC-06 | 22 | 32 | G1/8" | 22 | 27 | 4.3 | 49.7 | 56.5 | M6×0.5 | M12×0.75 | 12 | 18 |
| ASC-08 | 26 | 36 | G1/4" | 22 | 27 | 4.3 | 49.7 | 56.5 | M6×0.5 | M12×0.75 | 12 | 18 |
| ASC-10 | 28 | 40 | G3/8" | 25 | 30 | 4.3 | 52.7 | 59.5 | M6×0.5 | M12×0.75 | 13 | 22 |
| ASC-15 | 28 | 40 | G1/2" | 30 | 35 | 4.3 | 58.7 | 65.5 | M6×0.5 | M12×0.75 | 13.5 | 26 |

外形尺寸 | Overall Dimension

RE Series



尺寸表 | Dimension Sheet

| 型号 / 符号 Model / symbol | A | B | C | D | E | F | G |
|---------------------------|----|----|----|----|-----|-------|-------|
| RE-01 | 45 | 19 | 43 | 50 | Φ19 | M14×1 | G1/8" |
| RE-02 | 45 | 19 | 43 | 50 | Φ19 | M14×1 | G1/4" |
| RE-03 | 55 | 25 | 55 | 62 | Φ25 | M18×1 | G3/8" |
| RE-04 | 55 | 25 | 55 | 62 | Φ25 | M18×1 | G1/2" |

B

2V系列二位二通电磁阀

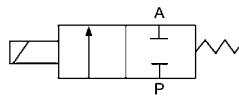
2V Series Two-position Two-way Solenoid Valve



订购码 | Ordering Code

| | | | | |
|---|---|---|--|---|
| 2V | 025 | - | 30 | AC220V |
| 规格代码 2V:二位二通电磁阀 Specification Code 2V: Two-position Two-way Solenoid Valve | 流量孔径 Aperture of Flow Rate 025: 2.5mm 130: 13mm 250: 25mm | | 接管口径 Port Size 06: 1/8" 08: 1/4" 10: 3/8" 15: 1/2" 20: 3/4" 25: 1" | 标准电压 Standard Voltage DC12V DC24V AC24V 50Hz/60Hz AC110V 50Hz/60Hz AC220V 50Hz/60Hz AC380V 50Hz/60Hz |

图形符号 | Graphic Symbol



规格 | Specification

| 型号 Model | 2V025-06 | 2V025-08 | 2V130-10 | 2V130-15 | 2V250-20 | 2V250-25 |
|---------------------------------------|-------------------------------|----------|----------|----------------------------------|----------|----------|
| 工作介质 Working Medium | 空气、水、油 Air, Water, Oil | | | | | |
| 动作方式 Motion Pattern | 直动式 Direct Drive Type | | | 先导式 Guide Type | | |
| 型式 Type | 常闭型 Normal Close Type | | | | | |
| 流量孔径 mm Aperture of Flow Rate | 2.5 | | 13 | | 25 | |
| CV值 CV Value | 0.23 | | 6.2 | | 23 | |
| 接管口径 Port Size | G1/8" | G1/4" | G3/8" | G1/4" | G3/4" | G1" |
| 使用流体粘滞度 Operation Fluid Viscosity | 20 CST以下 (Below) | | | | | |
| 使用压力 Working-pressure | 空气Air, 水Water, 油Oil: 0~1.0MPa | | | 空气Air, 水Water, 油Oil: 0.05~0.7MPa | | |
| 最大耐压力 Max. Pressure Resistance | 1.5MPa | | | 1.05MPa | | |
| 工作温度范围 Operating Temperature Range | -10~+80℃ | | | | | |
| 使用电压范围 Voltage Range | ±10% | | | | | |
| 保护等级 Protect Class | IP65 | | | | | |
| 耗电量 Power Consumption | AC:7VA/60Hz, 9VA/50Hz; DC:6W | | | | | |
| 绝缘性 Insulation | F级 F Class | | | | | |
| 本体材质 Material of Body | 铝或铜 Aluminum or Brass | | | 黄铜 Brass | | |
| 油封材质 Material of Oil Seal | NBR或VITON / NBR or VITON | | | NBR | | |
| 最短励磁时间 Shortest Excitation Time | 0.05秒 / Second | | | | | |

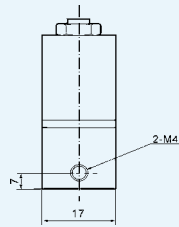
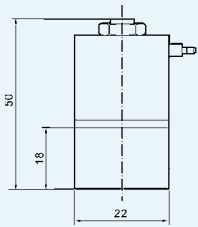
* 特殊电压及特殊规格请与厂方接洽。 Please contact factory for special voltage and specification.

2V系列二位二通电磁阀

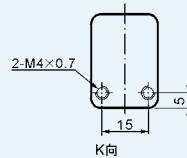
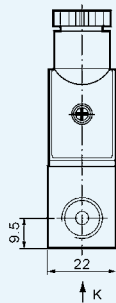
2V Series Two-position Two-way Solenoid Valve

外形尺寸 | Overall Dimension

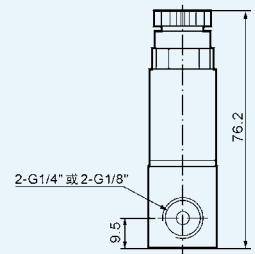
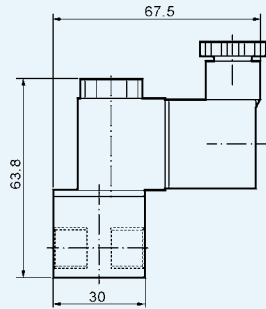
2V010-M4



2V025-06

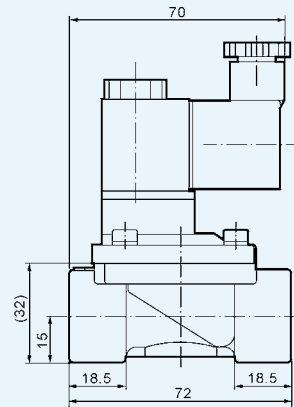
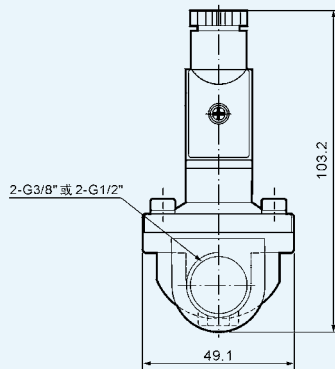


2V025-08



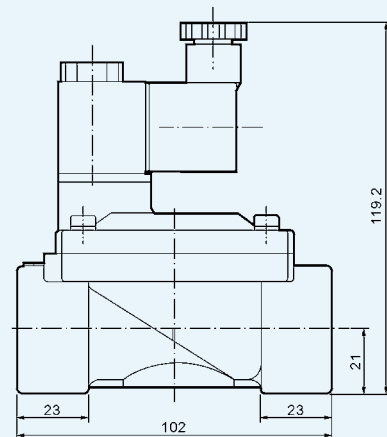
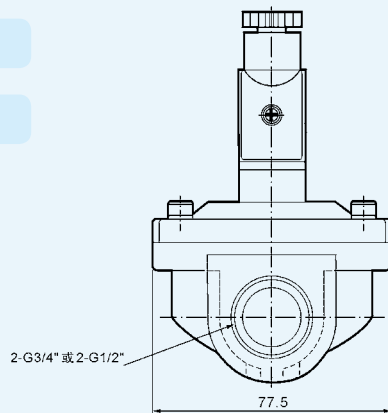
2V130-10

2V130-15



2V250-20

2V250-25



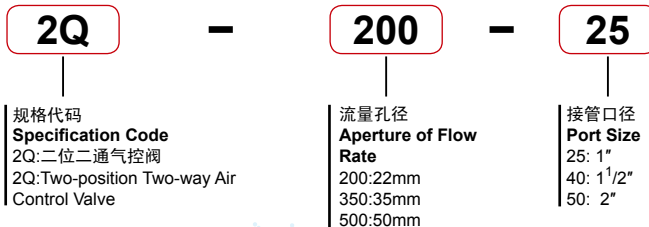
B

2Q系列气控二通阀

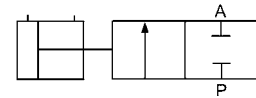
2Q Series Air Control Two-Way Valve



订购码 | Ordering Code



图形符号 | Graphic Symbol



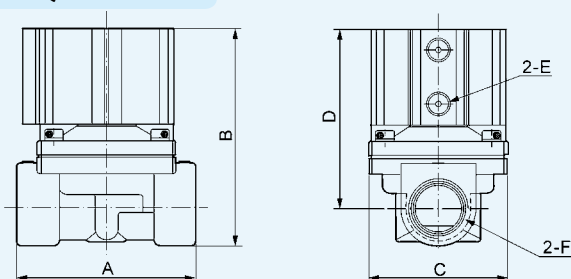
规格 | Specification

| 型号 Model | 2Q200-25 | 2Q350-40 | 2Q500-50 |
|---------------------------------------|--------------------------------|----------|----------|
| 工作介质 Working Medium | 空气、水、油、瓦斯 Air, Water, Oil, Gas | | |
| 动作方式 Motion Pattern | 直动式 Direct Drive Type | | |
| 流量孔径 mm Aperture of Flow Rate | 22 | 35 | 50 |
| CV值 CV Value | 12 | 24 | 48 |
| 接管口径 Port Size | G1" | G1 1/2" | G2" |
| 使用介质粘滞度 Operation Fluid Viscosity | 50 CST以下 (Below) | | |
| 使用压力范围 Working-pressure Range | 0~0.7MPa | | |
| 最大耐压力 Max. Pressure Resistance | 1.05MPa | | |
| 控制压力范围 Control Pressure Range | 0.3~0.6MPa | | |
| 工作温度范围 Operating Temperature Range | -5~+100℃ | | |
| 本体材质 Material of Body | 黄铜 Brass | | |
| 油封材质 Material of Oil Seal | 聚四氟乙烯 PTFE | | |
| 控制接管口径 Control Port Size | 2-G1/8" | 2-G1/4" | 2-G1/4" |

* 特殊电压及特殊规格请与厂方接洽。 Please contact factory for special voltage and specification.

外形尺寸 | Overall Dimension

2Q Series



尺寸表 | Dimension Sheet

| 型号 Model | A | B | C | D | E | F |
|----------|-----|-----|-----|-----|-------|---------|
| 2Q-25 | 99 | 116 | 57 | 95 | G1/8" | G1" |
| 2Q-40 | 123 | 146 | 95 | 116 | G1/4" | G1 1/2" |
| 2Q-50 | 170 | 155 | 118 | 114 | G1/4" | G2" |

VX系列二位二通电磁阀

VX Series Two-position Two-way Solenoid Valve



订购码 | Ordering Code

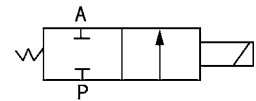
VX2120 - **08** - **AC220V**

规格代码
Specification Code

接管口径
Port Size
06: 1/8"
08: 1/4"
10: 3/8"

标准电压
Standard Voltage
DC12V DC24V
AC24V 50/60Hz
AC36V 50/60Hz
AC110V 50/60Hz
AC220V 50/60Hz
AC380V 50/60Hz

图形符号 | Graphic Symbol

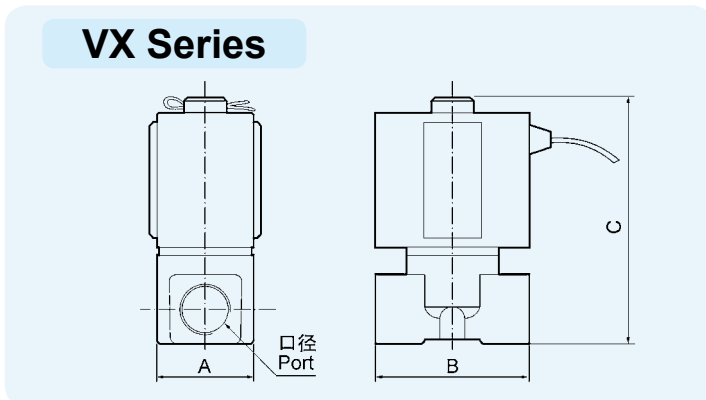


规格 | Specification

| 型号 Model | VX2120-06 | VX2120-08 | VX2120-10 |
|---------------------------------------|---------------------------|-----------|-----------|
| 工作介质 Working Medium | 空气、水、蒸汽 Air, Water, Steam | | |
| 动作方式 Motion Pattern | 直动式 Direct Drive Type | | |
| 型式 Type | 常闭型 Normal Close Type | | |
| 流量孔径 mm Aperture of Flow Rate | 3 | | 13 |
| 接管口径 Port Size | G1/8" | G1/4" | G3/8" |
| 使用压力 Working-pressure | 0~1.0MPa | | |
| 使用温度范围 Operation Temperature Range | -5~+150℃ | | -5~+80℃ |
| 油封材质 Material of Oil Seal | VITON | | NBR |

* 特殊电压及特殊规格请与厂方接洽。 Please contact factory for special voltage and specification.

外形尺寸 | Overall Dimension



尺寸表 | Dimension Sheet

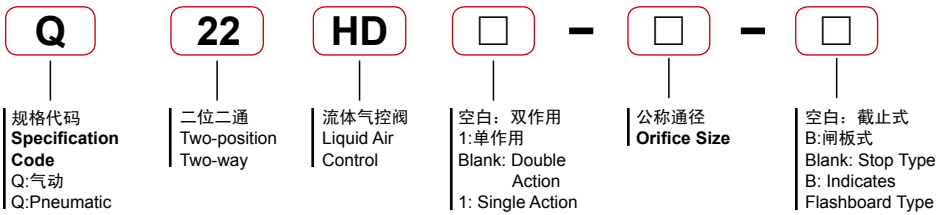
| 型号 Model | 口径 Bore | A | B | C |
|-----------|---------|----|----|-----|
| VX2120-06 | 1/8 | 25 | 40 | 64 |
| VX2120-08 | 1/4 | 25 | 40 | 64 |
| VX2120-10 | 3/8 | 48 | 68 | 110 |

Q22HD系列流体气控制阀

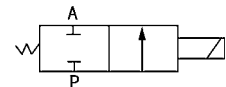
Q22HD Series Fluid Air Control Valve



订购码 | Ordering Code



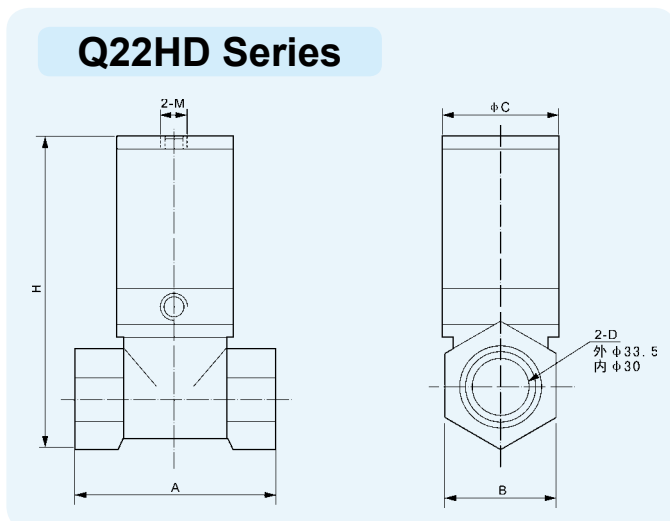
图形符号 | Graphic Symbol



规格 | Specification

| 型号 Model | Q22HD-15 | Q22HD-20 | Q22HD-25 | Q22HD-35 | Q22HD-40 | Q22HD-50 |
|---|---|----------|----------|----------|----------|----------|
| 公称通径 Orifice Size | 15 | 20 | 25 | 35 | 40 | 50 |
| 接管螺纹 Port Size | G1/2" | G3/4" | G1" | G1 1/4" | G1 1/2" | G2" |
| 工作介质 Working Medium | 空气、水、油、液化气、轻动粘度液体 Air, Water, Oil, Gas, Free-running viscosity liquid | | | | | |
| 工作压力 Working-pressure | 0.2~0.6MPa | | | | | |
| 介质和环境温度 Temperature of Medium & Condition | 5~50℃ | | | | | |
| 流量系数KV值 Flow Coefficient KV Value | 4 | 5 | 10 | 25 | 40 | |

外形尺寸 | Overall Dimension

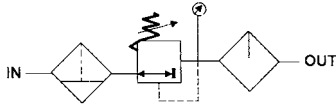


尺寸表 | Dimension Sheet

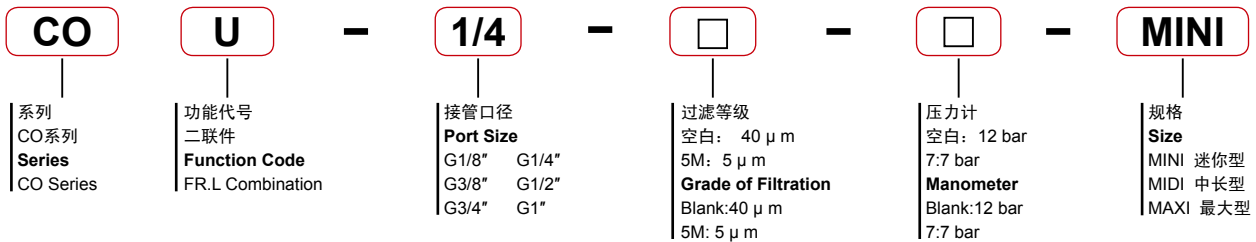
| 型号 Model | A | B | C | D | H | M |
|----------|-----|------|-----|---------|-----|-------|
| Q22HD-15 | 46 | 26 | Φ30 | G1/2" | 96 | G1/8" |
| Q22HD-20 | 54 | 32 | Φ37 | G3/4" | 107 | G1/8" |
| Q22HD-25 | 66 | 34 | Φ37 | G1" | 118 | G1/8" |
| Q22HD-35 | 80 | 53 | Φ65 | G1 1/4" | 162 | G1/8" |
| Q22HD-40 | 80 | 53.6 | Φ65 | G1 1/2" | 162 | G1/8" |
| Q22HD-50 | 105 | 66 | Φ78 | G2" | 180 | G1/4" |

COU系列气源处理件

COU Series Air Source Treatment Unit



订购码 | Ordering Code



规格 | Specification

| 规格 Size | | 迷你型/MINI | | | 中大型/MIDI | | | 最大型/MAXI | | |
|---|---------------------------------|--|---------------------|----------------------|---------------------|---------------------|---------------------|---------------------|---------------------|-------------------|
| 手动排水 Manual Drain | 工作压力 Working Pressure | 12bar,40μm | COU-1/8 -MINI | COU-1/4 -MINI | COU-3/8 -MINI | COU-3/8 -MIDI | COU-1/2 -MIDI | COU-3/4 -MIDI | COU-3/4 -MAXI | COU-1 -MAXI |
| | 工作压力 Working Pressure | 7bar,40μm | COU-1/8- 7-MINI | COU-1/4- D-7-MINI | COU-3/8- 7-MINI | COU-3/8- 7-MIDI | COU-1/2- 7-MIDI | COU-3/4- 7-MIDI | COU-3/4- 7-MAXI | COU-1- 7-MAXI |
| | 工作压力 Working Pressure | 12bar,5μm | COU-1/8- 5M-MINI | COU-1/4- 5M-MINI | COU-3/8- 5M-MINI | COU-3/8- 5M-MIDI | COU-1/2- 5M-MIDI | COU-3/4- 5M-MIDI | COU-3/4- 5M-MAXI | COU-1- 5M-MAXI |
| 压力计 Manometer | | 0~12bar | OMA-40-16-1/8 | | | OMA-50-16-1/4 | | | | |
| | | 0~7bar | OMA-40-10-1/8 | | | OMA-50-10-1/4 | | | | |
| 介质/Medium | | 压缩空气 Compressed Air | | | | | | | | |
| 结构特点/Features of Structure | | 带水分离器的烧结式过滤器; MINI/MIDI/MAXI:膜片式减压阀、活塞式减压阀; 自动可节流式油雾器 Sintered filter with water separator; MINI/MIDI/MAXI: Piston regulator; Diaphragm type regulator; Direct constant-density lubricator | | | | | | | | |
| 安装形式/Mounting Type | | 管式安装或支架安装 Pipe mounting or foot mounting | | | | | | | | |
| 装配方向/Assembly Position | | 垂直方向 Vertical ±5° | | | | | | | | |
| 连接尺寸/Connection | | G1/8" | G1/4" | G3/8" | G3/8" | G1/2" | G3/4" | G3/4" | G1" | |
| 标准额定流量 Standard Nominal Flow Rate | COU-...(-A) | 700 | 1000 | 1200 | 2000 | 2600 | 2600 | 7000 | 8000 | |
| | COU-...-7(-A) | 800 | 1300 | 1500 | 2500 | 2800 | 2800 | 8500 | 8700 | |
| | COU-...-5M(-A) | 600 | 850 | 1050 | 1700 | 1800 | 2100 | 6500 | 7200 | |
| 主要压力 Primary Pressure | 手动排水/Manual Condensate Drain | 1~16bar | | | | | | | | |
| | 自动排水/Automatic Condensate Drain | 1.5~12bar | | | | | | | | |
| 工作压力/Working Pressure | | 0.5~12bar / 0.5~7bar | | | | | | | | |
| 最小标准额定流量/Min. Standard Flow Rate | | 3 L/min | | | 6 L/min | | | 10 L/min | | |
| 过滤等级/Grade of Filtration | | 40 μm/5μm | | | | | | | | |
| 最大凝度容量/Capacity of Condensate Fluid | | 22 ml | | | | | | | | |
| 温度范围/Temperature Range | | 0 ~ 60℃ | | | | | | | | |
| 材料/Material Information | | 壳体: 压铸锌; 过滤杯和油杯: 聚碳酸酯; 金属保护罩: 铝合金; 密封: 丁腈橡胶; 调压手轮: POM Housing: Zinc die-casting; Filter bowl and oil bowl: PC; Metal bowl guard: Aluminium alloy; Sealing: NBR; Adjusting knob: POM | | | | | | | | |

COU系列气源处理件

COU Series Air Source Treatment Unit

产品说明 | Product Explain

COU型二联件由一个COFR过滤减压阀和COL油雾器组成，这些原件可以分别订购。空气过滤器能过滤空气中的液态油、冷凝水及杂质，对于特殊应用场合，5 μm滤芯容易替换40 μm的标准滤芯。

即使输入压力与压缩空气消耗产生系统波动，减压阀也能保证其设定的工作压力非常稳定。

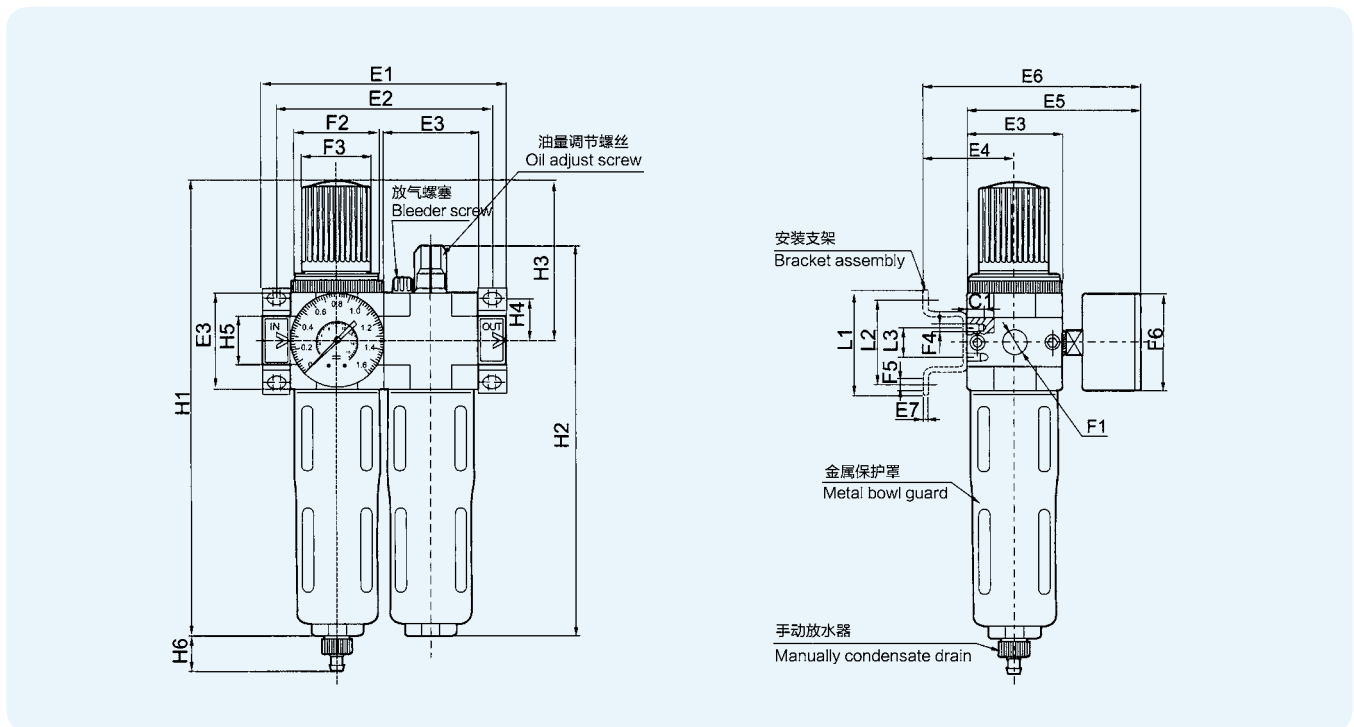
油雾器可以均匀地向过滤空气中喷油雾，其油雾量与空气流量成正比，并可不停气加油，可通过调节螺钉调节滴油量，通常每1000L空气中含有1-12滴就足够了。

The COU consisted of COFR and COL, each unit can be ordered separately.

The COF with water separator cleans the compressed air of fluid oil, condensation and dirt. Particles, for special application, the standard 40μm filter element may easily be replaced by a 5μm filter element.

The COR maintain imputing constant operating pressure despite fluctuation in line pressure and the amount of air consumed. The proportional lubricator adds a regulated quantity of oil to the filtered air. The oil-mist content proportional to the flow and oil can be added during operation. The oil drip rate is controlled by the adjustable bolt. Normally, 1 to 12 drops/1000L of the air is sufficient.

外形尺寸 | Overall Dimension



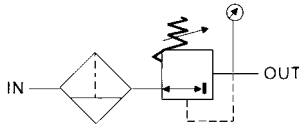
尺寸表 | Dimension Sheet

| 型号 Model | E1 | E2 | E3 | E4 | E5 | E6 | E7 | F1 | F2 |
|--------------|----------|----------|----|----|-----|-----|----|---------------------|---------|
| COU-...-MINI | 104 | 92 | 40 | 39 | 76 | 95 | 2 | G1/8", G1/4", G3/8" | M36x1.5 |
| COU-...-MIDI | 140 | 125 | 55 | 47 | 93 | 112 | 3 | G1/8", G1/2", G3/4" | M52x1.5 |
| COU-...-MAXI | 162, 182 | 146, 157 | 66 | 53 | 104 | 124 | 3 | G3/4", G1" | M36x1.5 |

| 型号 Model | F3 Φ | F4 | F5 Φ | F6 Φ | L1 | L2 | L3 | H1 | H2 | H3 | H4 | H5 | H6 |
|--------------|------|----|------|------|----|----|----|-----|-----|----|------|--------|----|
| COU-...-MINI | 31 | M4 | 4.5 | 40 | 44 | 35 | 11 | 194 | 169 | 69 | 17.5 | 20 | 15 |
| COU-...-MIDI | 50 | M5 | 5.5 | 52 | 71 | 60 | 22 | 250 | 206 | 97 | 24.5 | 32 | 15 |
| COU-...-MAXI | 31 | M5 | 5.5 | 63 | 71 | 60 | 22 | 252 | 223 | 80 | 24.5 | 32, 40 | 15 |

COFR系列过滤调压阀

COFR Series Filter & Regulator



订购码 | Ordering Code

| | | | | | | | | | |
|-----------------------------------|--|---|--|---|---|---|--|---|--|
| CO | FR | - | 1/4 | - | <input type="checkbox"/> | - | <input type="checkbox"/> | - | MINI |
| 系列 CO系列 Series CO Series | 功能代号 过滤调压阀 Function Code Filter & Regulator | | 接管口径 Port Size G1/8" G1/4" G3/8" G1/2" G3/4" G1" | | 过滤等级 空白: 40 μm 5M: 5 μm Grade of Filtration Blank:40 μm 5M: 5 μm | | 压力计 空白: 12 bar 7:7 bar Manometer Blank:12 bar 7:7 bar | | 规格 Size MINI 迷你型 MIDI 中长型 MAXI 最大型 |

规格 | Specification

| 规格 Size | | 迷你型/MINI | | | 中长型/MIDI | | | 最大型/MAXI | | |
|--------------------------------------|---------------------------------|---|------------------|-------------------|------------------|------------------|------------------|------------------|------------------|----------------|
| 手动排水 Manual Drain | 工作压力 Working Pressure | 12bar,40μm | COFR-1/8-MINI | COFR-1/4-MINI | COFR-3/8-MINI | COFR-3/8-MIDI | COFR-1/2-MIDI | COFR-3/4-MIDI | COFR-3/4-MAXI | COFR-1-MAXI |
| | 工作压力 Working Pressure | 7bar,40μm | COFR-1/8-7-MINI | COFR-1/4-D-7-MINI | COFR-3/8-7-MINI | COFR-3/8-7-MIDI | COFR-1/2-7-MIDI | COFR-3/4-7-MIDI | COFR-3/4-7-MAXI | COFR-1-7-MAXI |
| | 工作压力 Working Pressure | 12bar,5μm | COFR-1/8-5M-MINI | COFR-1/4-5M-MINI | COFR-3/8-5M-MINI | COFR-3/8-5M-MIDI | COFR-1/2-5M-MIDI | COFR-3/4-5M-MIDI | COFR-3/4-5M-MAXI | COFR-1-5M-MAXI |
| 压力计/Manometer | | 0~12bar | OMA-40-16-1/8 | | | OMA-50-16-1/4 | | | | |
| | | 0~7bar | OMA-40-10-1/8 | | | OMA-50-10-1/4 | | | | |
| 介质/Medium | | 压缩空气 Compressed Air | | | | | | | | |
| 结构特点/Features of Structure | | 带水分离器的烧结式过滤器: MINI/MIDI: 膜片式减压阀; MAXI: 活塞式减压阀 Sintered filter with water separator; MINI/MIDI: Diaphragm type regulator; MAXI: Piston Regulator | | | | | | | | |
| 安装形式/Mounting Type | | 管式安装或支架安装 Pipe mounting or foot mounting | | | | | | | | |
| 装配方向/Assembly Position | | 垂直方向 Vertical ±5° | | | | | | | | |
| 连接尺寸/Connection | | G1/8" | G1/4" | G3/8" | G3/8" | G1/2" | G3/4" | G3/4" | G1" | |
| 标准额定流量 Standard Nominal Flow Rate | COFR-... | 750 | 1400 | 1600 | 3100 | 3400 | 3400 | 9000 | 10000 | |
| | COFR-...-7 | 900 | 1500 | 1700 | 3400 | 3900 | 3900 | 9500 | 16000 | |
| | COFR-...-5M | 650 | 1200 | 1350 | 2400 | 2500 | 2500 | 7300 | 7600 | |
| 主要压力 Primary Pressure | 手动排水 Manual Condensate Drain | 1~16bar | | | | | | | | |
| 工作压力/Working Pressure | | 0.5~12bar / 0.5~7bar | | | | | | | | |
| 过滤等级/Grade of Filtration | | 40 μm/5μm | | | | | | | | |
| 最大凝度容量/Capacity of Condensate Fluid | | 22 ml | | | | | | | | |
| 温度范围/Temperature Range | | 0 ~ 60℃ | | | | | | | | |
| 材料/Material Information | | 壳体: 压铸锌; 过滤杯: 聚碳酸酯; 金属保护罩: 铝合金; 密封: 丁腈橡胶; 调压手轮: POM Housing: Zinc die-casting; Filter bowl: PC; Metal bowl guard: Aluminium alloy; Sealing: NBR; Adjusting knob: POM | | | | | | | | |

COFR系列过滤调压阀

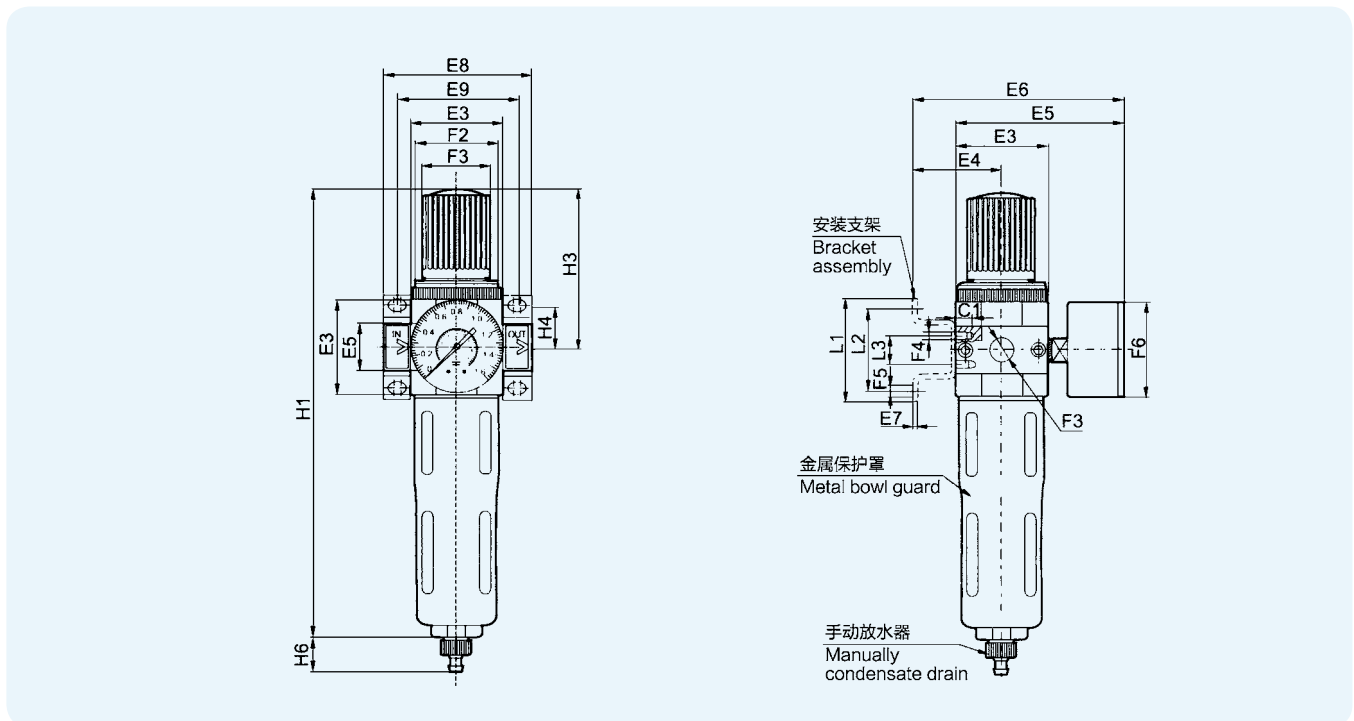
COFR Series Filter & Regulator

产品说明 | Product Explain

过滤器和减压阀组成一个单独的装置，能过滤空气中的液态油、冷凝水及杂质，对于特殊应用场合，5μm滤芯容易替换40μm的标准滤芯。即使输入压力与压缩空气消耗产生系统波动，减压阀也能保证其设定的工作压力非常稳定。

Filter and pressure regulator combine a single unit, and cleans the compressed air of fluid oil, condensation and dirt particles. For special application, the standard 40μm filter element may easily be replaced by a 5μm filter element. The LR maintain imputing constant operating pressure despite fluctuation in line pressure and the amount of air consumed.

外形尺寸 | Overall Dimension



尺寸表 | Dimension Sheet

| 型号 Model | E3 | E4 | E5 | E6 | E8 | E9 | F1 | F2 |
|---------------|----|----|-----|-----|---------|--------|---------------------|---------|
| COFR-...-MINI | 40 | 39 | 76 | 95 | 64 | 52 | G1/8", G1/4", G3/8" | M36x1.5 |
| COFR-...-MIDI | 55 | 47 | 93 | 112 | 85 | 70 | G1/8", G1/2", G3/4" | M52x1.5 |
| COFR-...-MAXI | 66 | 53 | 104 | 124 | 96, 116 | 80, 91 | G3/4", G1" | M36x1.5 |

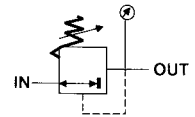
| 型号 Model | F3 Φ | F4 | F5 Φ | F6 Φ | L1 | L2 | L3 | H1 | Hv3 | H4 | H5 | H6 |
|---------------|------|----|------|------|----|----|----|-----|-----|------|-------|----|
| COFR-...-MINI | 31 | M4 | 4.5 | 40 | 44 | 35 | 11 | 194 | 69 | 17.5 | 20 | 15 |
| COFR-...-MIDI | 50 | M5 | 5.5 | 52 | 71 | 60 | 22 | 250 | 98 | 24.5 | 32 | 15 |
| COFR-...-MAXI | 31 | M5 | 5.5 | 63 | 71 | 60 | 22 | 252 | 80 | 24.5 | 32,40 | 15 |

COR系列调压阀

COR Series Regulator

即使输入压力与压缩空气消耗产生系统波动，减压阀也能保证其设定的工作压力非常稳定。

The COR Maintain imputing constant operating pressure despite fluctuation in line pressure and the amount of air consumed.



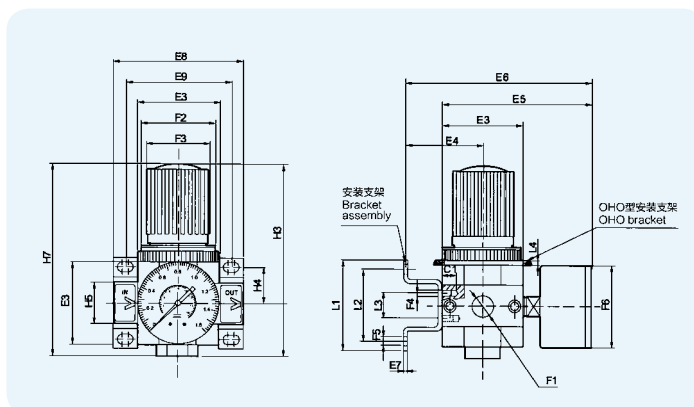
订购码 | Ordering Code

| | | | | | | | |
|-----------------------------------|---|----------|--|----------|--|----------|--|
| CO | R | - | 1/4 | - | □ | - | MINI |
| 系列 CO系列 Series CO Series | 功能代号 调压阀 Function Code Regulator | | 接管口径 Port Size G1/8" G1/4" G3/8" G1/2" G3/4" G1" | | 压力计 空白: 12 bar 7:7 bar Manometer Blank:12 bar 7:7 bar | | 规格 Size MINI 迷你型 MIDI 中大型 MAXI 最大型 |

规格 | Specification

| 规格 Size | 迷你型/MINI | | | 中大型/MIDI | | | 最大型/MAXI | | |
|--------------------------------------|---|----------------|----------------|----------------|----------------|----------------|----------------|--------------|-------|
| 工作压力/Working Pressure: 12bar | COR-1/8-MINI | COR-1/4-MINI | COR-3/8-MINI | COR-3/8-MIDI | COR-1/2-MIDI | COR-3/4-MIDI | COR-3/4-MAXI | COR-1-MAXI | |
| 工作压力/Working Pressure: 7bar | COR-1/8-7-MINI | COR-1/4-7-MINI | COR-3/8-7-MINI | COR-3/8-7-MIDI | COR-1/2-7-MIDI | COR-3/4-7-MIDI | COR-3/4-7-MAXI | COR-1-7-MAXI | |
| 压力计/Manometer | 0~12bar | | | OMA-40-16-1/8 | | | OMA-50-16-1/4 | | |
| | 0~7bar | | | OMA-40-10-1/8 | | | OMA-50-10-1/4 | | |
| 介质/Medium | 过滤压缩空气 (润滑或未润滑) Filter Compressed Air (Lubricated or Unlubricated) | | | | | | | | |
| 结构特点/Features of Structure | MINI/MIDI: 膜片式减压阀 Diaphragm type regulator; MAXI: 活塞式减压阀 Piston Regulator | | | | | | | | |
| 安装形式/Mounting Type | 管式、支架或面板安装 Pipe / Foot / Plate Mounting | | | | | | | | |
| 装配方向/Assembly Position | 任意方向 Any | | | | | | | | |
| 连接尺寸/Connection | G1/8" | G1/4" | G3/8" | G3/8" | G1/2" | G3/4" | G3/4" | G1" | |
| 标准额定流量 Standard Nominal Flow Rate | COR-... | 800 | 1500 | 1700 | 3200 | 3500 | 3500 | 11000 | 11500 |
| | COR-...-7 | 1000 | 1600 | 1800 | 3300 | 4000 | 4500 | 12000 | 12500 |
| 主要压力/Primary Pressure | 1~16bar | | | | | | | | |
| 工作压力/Working Pressure | 0.5~12bar / 0.5~7bar | | | | | | | | |
| 温度范围/Temperature Range | 0 ~ 60°C | | | | | | | | |
| 材料/Material Information | 壳体: 压铸锌; 密封: 丁腈橡胶; 调压手轮: POM Housing: Zinc die-casting; Sealing: NBR; Adjusting knob: POM | | | | | | | | |

外形尺寸 | Overall Dimension



尺寸表 | Dimension Sheet

| 型号 Model | E3 | E4 | E5 | E6 | E8 | E9 | | |
|--------------|---------------------|----|---------|------|---------|--------|------|----|
| COR-...-MINI | 40 | 39 | 76 | 95 | 64 | 52 | | |
| COR-...-MIDI | 55 | 47 | 93 | 112 | 85 | 70 | | |
| COR-...-MAXI | 66 | 53 | 104 | 124 | 96, 116 | 80, 91 | | |
| 型号 Model | F1 | | F2 | F3 Φ | F4 | F5 Φ | | |
| COR-...-MINI | G1/8", G1/4", G3/8" | | M36x1.5 | 31 | M4 | 4.5 | | |
| COR-...-MIDI | G1/8", G1/2", G3/4" | | M52x1.5 | 50 | M5 | 5.5 | | |
| COR-...-MAXI | G3/4", G1" | | M36x1.5 | 31 | M5 | 5.5 | | |
| 型号 Model | F6 Φ | L1 | L2 | L3 | L4 | H3 | H4 | H7 |
| COR-...-MINI | 40 | 44 | 35 | 11 | Max.3 | 69 | 17.5 | 96 |
| COR-...-MIDI | 52 | 71 | 60 | 22 | Max.5 | 98 | 24.5 | 96 |
| COR-...-MAXI | 63 | 71 | 60 | 22 | Max.4 | 80 | 24.5 | 96 |

COF系列空气过滤器

COF Series Air Filter

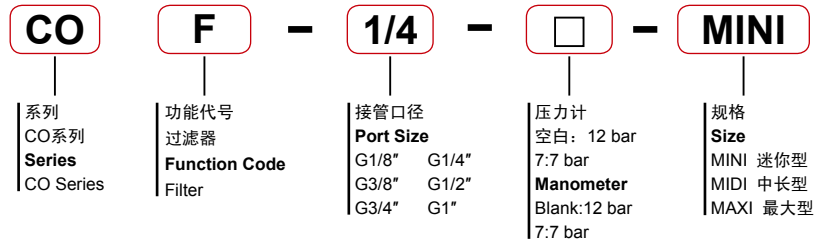


产品说明 | Product Explain

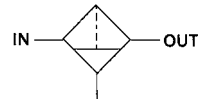
分水过滤器能过滤空气中的液态油、冷凝水及杂质，对于特殊应用场合，5 μm滤芯容易替换40 μm的标准滤芯。

The COF with water separator cleans the compressed air of fluid oil, condensation and dirt particles, for special application, the standard 40μm filter element may easily be replaced by a 5μm filter element.

订购码 | Ordering Code



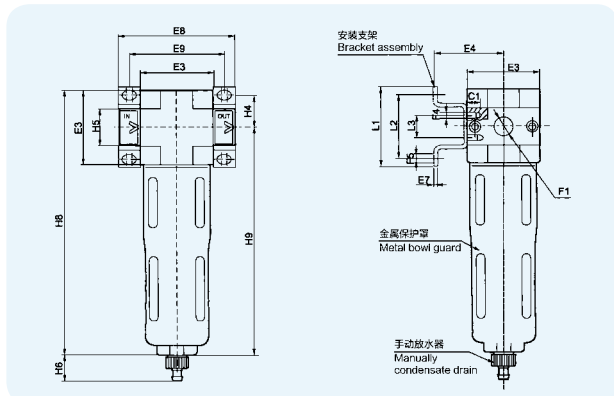
图形符号 | Graphic Symbol



规格 | Specification

| 规格 Size | | 迷你型/MINI | | | 中大型/MIDI | | | 最大型/MAXI | |
|--------------------------------------|------------|---|-----------------|-----------------|-----------------|-----------------|-----------------|-----------------|---------------|
| 手动排水 Manual Drain | 40μm | COF-1/8-MINI | COF-1/4-MINI | COF-3/8-MINI | COF-3/8-MIDI | COF-1/2-MIDI | COF-3/4-MIDI | COF-3/4-MAXI | COF-1-MAXI |
| | 5μm | COF-1/8-5M-MINI | COF-1/4-5M-MINI | COF-3/8-5M-MINI | COF-3/8-5M-MIDI | COF-1/2-5M-MIDI | COF-3/4-5M-MIDI | COF-3/4-5M-MAXI | COF-1-5M-MAXI |
| 介质/Medium | | 压缩空气 Compressed Air | | | | | | | |
| 结构特点/Features of Structure | | 带水分离器的烧结式过滤器 Sintered filter with water separator | | | | | | | |
| 安装形式/Mounting Type | | 管式安装或支架安装 Pipe mounting or foot mounting | | | | | | | |
| 装配方向/Assembly Position | | 垂直方向 Vertical ±5° | | | | | | | |
| 连接尺寸/Connection | | G1/8" | G1/4" | G3/8" | G3/8" | G1/2" | G3/4" | G3/4" | G1" |
| 标准额定流量 Standard Nominal Flow Rate | COF-... | 1000 | 1200 | 1400 | 2700 | 3000 | 3000 | 5000 | 5300 |
| | COF-...-5M | 600 | 950 | 1100 | 1800 | 1900 | 1900 | 3200 | 3300 |
| 主要压力/Primary Pressure | | 手动排水 Manual Drain 1~16bar | | | | | | | |
| 过滤等级/Grade of Filtration | | 40 μm/5μm | | | | | | | |
| 最大凝度容量/Capacity of Condensate Fluid | | 22 ml | | | | | | | |
| 温度范围/Temperature Range | | 0 ~ 60℃ | | | | | | | |
| 材料/Material Information | | 壳体: 压铸锌; 过滤杯: 聚碳酸酯; 金属保护罩: 铝合金; 密封: 丁腈橡胶 Housing: Zinc die-casting; Filter bowl: PC; Metal bowl guard: Aluminium alloy; Sealing: NBR | | | | | | | |

外形尺寸 | Overall Dimension



尺寸表 | Dimension Sheet

| 型号 Model | E3 | E4 | E7 | E8 | E9 | F1 | F4 |
|--------------|----|----|----|---------|--------|---------------------|----|
| COF-...-MINI | 40 | 39 | 2 | 64 | 52 | G1/8", G1/4", G3/8" | M4 |
| COF-...-MIDI | 55 | 47 | 3 | 85 | 70 | G1/8", G1/2", G3/4" | M5 |
| COF-...-MAXI | 66 | 53 | 3 | 96, 116 | 80, 91 | G3/4", G1" | M5 |

| 型号 Model | F5 Φ | L1 | L2 | L3 | H4 | H5 | H6 | H8 | H9 |
|--------------|------|----|----|----|------|--------|----|-----|-----|
| COF-...-MINI | 4.5 | 44 | 35 | 11 | 17.5 | 20 | 15 | 144 | 129 |
| COF-...-MIDI | 5.5 | 71 | 60 | 22 | 24.5 | 32 | 15 | 179 | 156 |
| COF-...-MAXI | 5.5 | 71 | 60 | 22 | 24.5 | 32, 40 | 15 | 203 | 175 |

COL系列油雾器

COL Series Lubricator



产品说明 | Product Explain

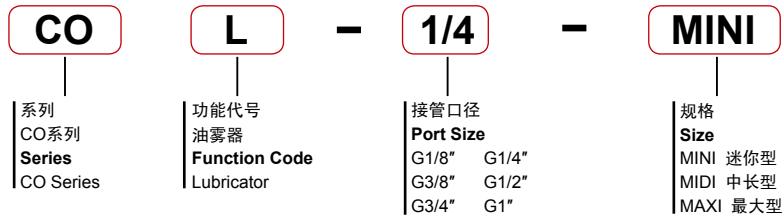
自动可调节流式油雾器可均匀地向压缩空气喷油雾。一个调节器保证了油雾量与压缩空气流量成正比列。压缩空气经过喷嘴时产生降压，迫使油液从油杯进入视油器，随压缩空气进入输入口，同时被雾化。在工作中可实现不停气加油。可通过调节螺钉调节滴油量，通常每1000L空气中含有1-12滴就足够了。

The direct constant-density lubricator add regulator quantity oil to the compressed air. A valve maintains oil mist content proportional to the compressed oil flow.

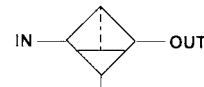
The pressure drop that occurs when the air flow through a sight feed oil cup delivers oil from the bowl to the sight oil indicator. The drop of the oil flows into the air channel when it is atomized.

The oil drip rate is controlled by means of the regulating screw. Normally, 1 to 12 drops/1000L of the air is sufficient.

订购码 | Ordering Code



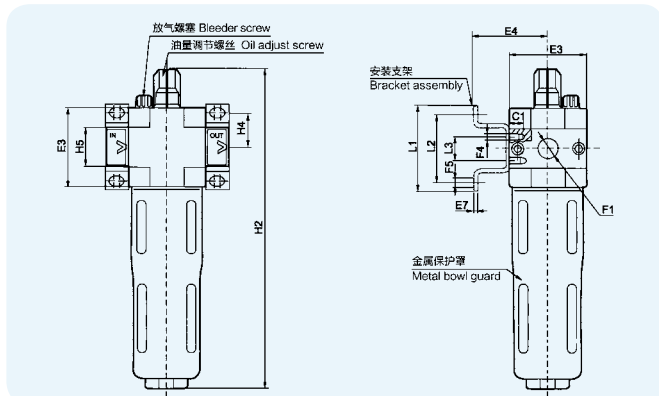
图形符号 | Graphic Symbol



规格 | Specification

| 规格 Size | 迷你型/MINI | | | 中长型/MIDI | | | 最大型/MAXI | |
|--|--|------------------|------------------|------------------|------------------|------------------|------------------|----------------|
| | COL-1/8 -MINI | COL-1/4 -MINI | COL-3/8 -MINI | COL-3/8 -MIDI | COL-1/2 -MIDI | COL-3/4 -MIDI | COL-3/4 -MAXI | COL-1 -MAXI |
| 介质/Medium | 压缩空气 Compressed Air | | | | | | | |
| 结构特点/Features of Structure | 带水分离器的烧结式过滤器 Sintered filter with water separator | | | | | | | |
| 安装形式/Mounting Type | 管式安装或支架安装 Pipe mounting or foot mounting | | | | | | | |
| 装配方向/Assembly Position | 垂直方向 Vertical $\pm 5^\circ$ | | | | | | | |
| 连接尺寸/Connection | G1/8" | G1/4" | G3/8" | G3/8" | G1/2" | G3/4" | G3/4" | G1" |
| 标准额定流量/Standard Nominal Flow Rate | 1300 | 2300 | 2700 | 5500 | 6100 | 6300 | 8400 | 9000 |
| 最大工作压力/Max. Working Pressure | 16bar | | | | | | | |
| 最小标准额定流量/Min. Standard Nominal Flow Rate | 3 L/min | | | 6 L/min | | | 10 L/min | |
| 最大凝度容量/Capacity of Condensate Fluid | 22 ml | | | | | | | |
| 温度范围/Temperature Range | 0 ~ 60°C | | | | | | | |
| 材料/Material Information | 壳体: 压铸锌; 油杯和滤水杯: 聚碳酸酯; 金属保护罩: 铝合金; 密封: 丁腈橡胶 Housing: Zinc die-casting; Oil bowl and Drip cap: PC; Metal bowl guard: Aluminium alloy; Sealing: NBR | | | | | | | |
| 建议用油/Recommended Oil | ISO VG 32 或同级用油 ISO VG 32 or the same grade | | | | | | | |

外形尺寸 | Overall Dimension



尺寸表 | Dimension Sheet

| 型号 Model | E3 | E4 | E7 | F1 | F4 |
|--------------|----|----|----|---------------------|----|
| COL-...-MINI | 40 | 39 | 2 | G1/8", G1/4", G3/8" | M4 |
| COL-...-MIDI | 55 | 47 | 3 | G1/8", G1/2", G3/4" | M5 |
| COL-...-MAXI | 66 | 53 | 3 | G3/4", G1" | M5 |

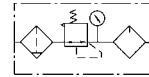
| 型号 Model | F5 Φ | L1 | L2 | L3 | H4 | H5 |
|--------------|---------|----|----|----|------|--------|
| COL-...-MINI | 4.5 | 44 | 35 | 11 | 17.5 | 20 |
| COL-...-MIDI | 5.5 | 71 | 60 | 22 | 24.5 | 32 |
| COL-...-MAXI | 5.5 | 71 | 60 | 22 | 24.5 | 32, 40 |

CAC1000 ~ 5000系列空气过滤组合 (三联件)

CAC1000~5000 Series Air Filter Combination (F.R.L Combination)



图形符号 | Graphic Symbol



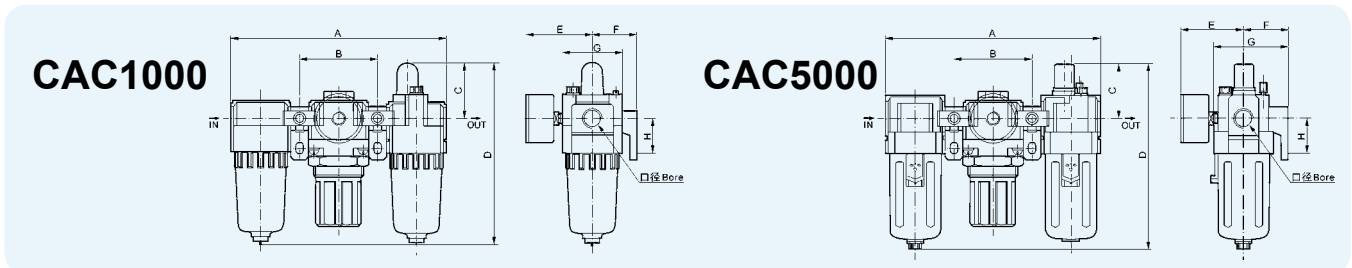
订购码 | Ordering Code

| | | | | |
|--|--|---|---|---|
| CAC | 4000 | - | 04 | D |
| 系列代码 CAC系列 Series Code CAC Series | 规格代号 Specification Code 1000 2000 2500 3000 4000 5000 | | 接管口径 Port Size M5: M5 X 0.8 01: G1/8" 02: G1/4" 03: G3/8" 04: G1/2" 06: G3/4" 10: G1" | 排水方式 Drain Type 空白: 差压排水 Blank: Differential Drain D: 自动排水 Automatic Drain |

规格 | Specification

| 型号 Model | CAC1000-M5 | CAC2000-01 | CAC2000-02 | CAC2500-02 | CAC2500-03 | CAC3000-02 | CAC3000-03 | CAC4000-03 | CAC4000-04 | CAC4000-06 | CAC5000-06 | CAC5000-10 | |
|-------------------------------------|-------------------------|------------|------------|------------|------------|------------|---|------------|------------|------------|------------|------------|------------|
| 额定流量 Rated Flow | 90 | 500 | 500 | 1500 | 1500 | 2000 | 2000 | 4000 | 4000 | 4500 | 5000 | 5000 | |
| 接管口径 Port Size | M5 | 1/8 | 1/4 | 1/4 | 3/8 | 1/4 | 3/8 | 3/8 | 1/2 | 3/4 | 3/4 | 1 | |
| 过滤精度 Filter Precision | 25 μm | | | | | | | | | | | | |
| 最高使用压力 Highest Working Pressure | 1.0MPa | | | | | | | | | | | | |
| 保证耐压力 Ensured Pressure Resistance | 1.5MPa | | | | | | | | | | | | |
| 使用温度范围 Operating Temperature Range | 5~60℃ | | | | | | | | | | | | |
| 调节压力范围 Range of Adjustable Pressure | 0.05~0.7MPa | | | | | | | | | | | | |
| 建议用油 Recommended Oil Use | ISO VG 32 | | | | | | | | | | | | |
| 容器材料 Container Material | 聚碳酸酯 Polycarbonate | | | | | | | | | | | | |
| 防护罩 Protective Cover | 无 Not Available | | | | | | 有 Available | | | | | | |
| 放水器功能 Drain Function | 差压放水 Differential Drain | | | | | | 差压放水、自动放水 Differential Drain, Automatic Drain | | | | | | |
| 阀型 Valve Type | 带溢流型 With Overflow | | | | | | | | | | | | |
| 构成元件 Composing Elements | 过滤器 Filter | CAF1000-M5 | CAF2000-01 | CAF2000-02 | CAF3000-02 | CAF3000-03 | CAF3000-02 | CAF3000-03 | CAF4000-03 | CAF4000-04 | CAF4000-06 | CAF5000-06 | CAF5000-10 |
| | 调压阀 Regulator | CAR1000-M5 | CAR2000-01 | CAR2000-02 | CAR2500-02 | CAR2500-03 | CAR3000-02 | CAR3000-03 | CAR4000-03 | CAR4000-04 | CAR4000-06 | CAR5000-06 | CAR5000-10 |
| | 油雾器 Lubricator | CAL1000-M5 | CAL2000-01 | CAL2000-02 | CAL3000-02 | CAL3000-03 | CAL3000-02 | CAL3000-03 | CAL4000-03 | CAL4000-04 | CAL4000-06 | CAL5000-06 | CAL5000-10 |

外形尺寸 | Overall Dimension



尺寸表 | Dimension Sheet

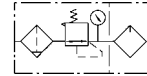
| 型号 Model | 口径 Bore | A | B | C | D | E | F | G | H | 型号 Model | 口径 Bore | A | B | C | D | E | F | G | H |
|----------|---------|-----|----|------|-------|------|----|----|----|------------|---------|-----|-----|----|-------|------|------|----|----|
| CAC1000 | M5 | 91 | 33 | 25.5 | 84.5 | 26 | 25 | 25 | 20 | CAC4000 | 3/8~1/2 | 238 | 84 | 41 | 191.5 | 65.5 | 50 | 70 | 40 |
| CAC2000 | 1/8~1/4 | 140 | 50 | 38 | 125 | 56.8 | 30 | 40 | 24 | CAC4000-06 | 3/4 | 253 | 89 | 41 | 193 | 69.5 | 50 | 70 | 40 |
| CAC2500 | 1/4~3/8 | 181 | 64 | 38 | 156.5 | 60.8 | 41 | 53 | 35 | CAC5000 | 3/4~1 | 300 | 105 | 48 | 271.5 | 75.5 | 69.8 | 90 | 50 |
| CAC3000 | 1/4~3/8 | 181 | 64 | 38 | 156.5 | 60.8 | 41 | 53 | 35 | | | | | | | | | | |

CAC1010 ~ 5010系列空气过滤组合 (二联件)

CAC1010~5010 Series Air Filter Combination (FR.L Combination)



图形符号 | Graphic Symbol



订购码 | Ordering Code

CAC

系列代码
CAC系列
Series Code
CAC Series

4010

规格代号
Specification Code
1010 2010 3010
4010 5010

04

接管口径
Port Size
M5: M5 X 0.8 01: G1/8" 02: G1/4"
03: G3/8" 04: G1/2" 06: G3/4"
10: G1"

D

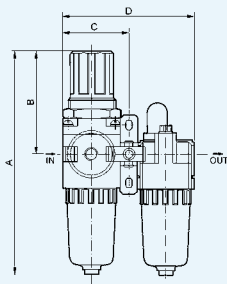
排水方式
Drain Type
空白: 差压排水 Blank: Differential Drain
D: 自动排水 Automatic Drain

规格 | Specification

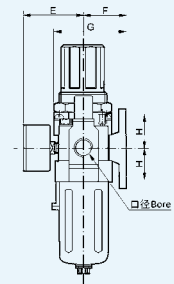
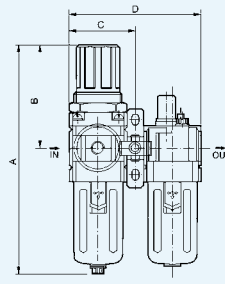
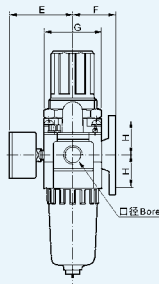
| 型号 Model | CAC1010-M5 | CAC2010-01 | CAC2010-02 | CAC3010-02 | CAC3010-03 | CAC4010-03 | CAC4010-04 | CAC4010-06 | CAC5010-06 | CAC5010-10 | |
|-------------------------------------|--------------------------|--------------|------------|------------|------------|---|------------|------------|------------|------------|------------|
| 额定流量 Rated Flow | 90 | 500 | 500 | 1700 | 1700 | 3000 | 3000 | 3000 | 4000 | 4000 | |
| 接管口径 Port Size | M5 | 1/8 | 1/4 | 1/4 | 3/8 | 3/8 | 1/2 | 3/4 | 3/4 | 1 | |
| 过滤精度 Filter Precision | 25 μm | | | | | | | | | | |
| 最高使用压力 Highest Working Pressure | 1.0MPa | | | | | | | | | | |
| 保证耐压力 Ensured Pressure Resistance | 1.5MPa | | | | | | | | | | |
| 使用温度范围 Operating Temperature Range | 5~60℃ | | | | | | | | | | |
| 调节压力范围 Range of Adjustable Pressure | 0.05~0.7MPa | 0.05~0.85MPa | | | | | | | | | |
| 建议用油 Recommended Oil Use | ISO VG 32 | | | | | | | | | | |
| 容器材料 Container Material | 聚碳酸酯 Polycarbonate | | | | | | | | | | |
| 防护罩 Protective Cover | 无 Not Available | | | | | 有 Available | | | | | |
| 放水器功能 Drain Function | 差压放水 Differential Drain | | | | | 差压放水、自动放水 Differential Drain, Automatic Drain | | | | | |
| 阀型 Valve Type | 带溢流型 With Overflow | | | | | | | | | | |
| 构成元件 Composing Elements | 过滤器压阀 Filter & Regulator | CAW1000-M5 | CAW2000-01 | CAW2000-02 | CAW3000-02 | CAW3000-03 | CAW4000-03 | CAW4000-04 | CAW4000-06 | CAW5000-06 | CAW5000-10 |
| | 油雾器 Lubricator | CAL1000-M5 | CAL2000-01 | CAL2000-02 | CAL3000-02 | CAL3000-03 | CAL4000-03 | CAL4000-04 | CAL4000-06 | CAL5000-06 | CAL5000-10 |

外形尺寸 | Overall Dimension

CAC1010



CAC5010



尺寸表 | Dimension Sheet

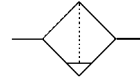
| 型号 Model | 口径 Bore | A | B | C | D | E | F | G | H | 型号 Model | 口径 Bore | A | B | C | D | E | F | G | H |
|----------|---------|-------|------|------|-----|------|----|----|----|------------|---------|-----|-----|------|-----|------|------|----|----|
| CAC1010 | M5 | 109.5 | 50.5 | 29 | 58 | 26 | 25 | 25 | 20 | CAC4010 | 3/8~1/2 | 262 | 112 | 77 | 154 | 70.5 | 41 | 70 | 40 |
| CAC2010 | 1/8~1/4 | 164.5 | 78 | 45 | 90 | 56.8 | 30 | 40 | 24 | CAC4010-06 | 3/4 | 267 | 114 | 82 | 164 | 70.5 | 50 | 70 | 40 |
| CAC3010 | 1/4~3/8 | 211 | 92.5 | 58.5 | 117 | 60.8 | 41 | 53 | 35 | CAC5010 | 3/4~1 | 338 | 116 | 97.5 | 195 | 75.5 | 69.8 | 90 | 50 |

CAF1000 ~ 5000系列空气过滤器

CAF1000~5000 Series Air Filter



图形符号 | Graphic Symbol



订购码 | Ordering Code

CAF

系列代码
CAF系列
Series Code
CAF Series

4000

规格代号
Specification Code
1000 2000 2500
3000 4000 5000

04

接管口径
Port Size
M5: M5 X 0.8 01: G1/8" 02: G1/4"
03: G3/8" 04: G1/2" 06: G3/4"
10: G1"

D

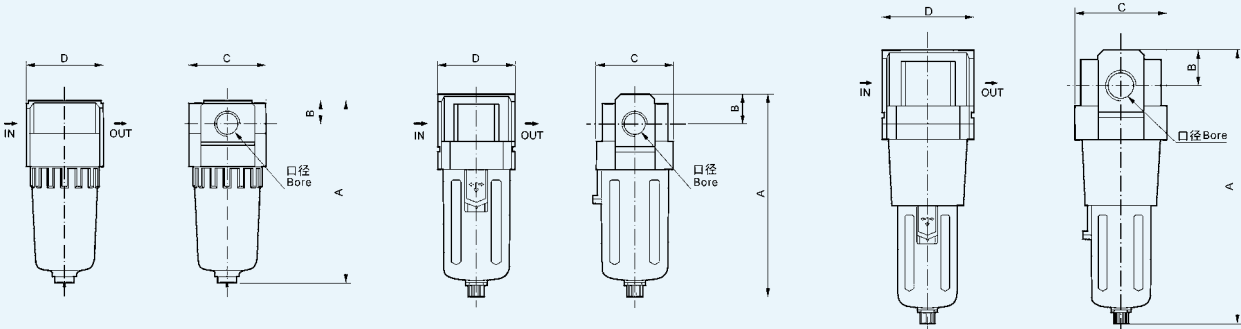
排水方式
Drain Type
空白: 差压排水 Blank: Differential Drain
D: 自动排水 Automatic Drain

规格 | Specification

| 型号 Model | CAF1000-M5 | CAF2000-01 | CAF2000-02 | CAF3000-02 | CAF3000-03 | CAF4000-03 | CAF4000-04 | CAF4000-06 | CAF5000-06 | CAF5000-10 |
|------------------------------------|-------------------------|------------|------------|------------|------------|---|------------|------------|------------|------------|
| 额定流量 Rated Flow | 110 | 750 | 750 | 1500 | 1500 | 4000 | 4000 | 6000 | 7000 | 7000 |
| 接管口径 Port Size | M5 | 1/8 | 1/4 | 1/4 | 3/8 | 3/8 | 1/2 | 3/4 | 3/4 | 1 |
| 过滤精度 Filter Precision | 25 μm | | | | | | | | | |
| 最高使用压力 Highest Working Pressure | 1.0MPa | | | | | | | | | |
| 保证耐压力 Ensured Pressure Resistance | 1.5MPa | | | | | | | | | |
| 使用温度范围 Operating Temperature Range | 5~60℃ | | | | | | | | | |
| 容器材料 Container Material | 聚碳酸酯 Polycarbonate | | | | | | | | | |
| 防护罩 Protective Cover | 无 Not Available | | | | | 有 Available | | | | |
| 放水器功能 Drain Function | 差压放水 Differential Drain | | | | | 差压放水、自动放水 Differential Drain, Automatic Drain | | | | |

外形尺寸 | Overall Dimension

CAF 1000~5000



尺寸表 | Dimension Sheet

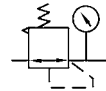
| 型号 Model | 口径 Bore | A | B | C | D | 型号 Model | 口径 Bore | A | B | C | D |
|----------|---------|-------|----|----|----|------------|---------|-------|----|----|----|
| CAF1000 | M5 | 66 | 7 | 25 | - | CAF4000 | 3/8~1/2 | 168.5 | 18 | 70 | 70 |
| CAF2000 | 1/8~1/4 | 97.5 | 11 | 40 | 40 | CAF4000-06 | 3/4 | 172.5 | 20 | 70 | 70 |
| CAF3000 | 1/4~3/8 | 132.5 | 14 | 53 | 53 | CAF5000 | 3/4~1 | 247.5 | 24 | 90 | 90 |

CAR1000 ~ 5000系列减压阀

CAR1000~5000 Series Regulator



图形符号 | Graphic Symbol



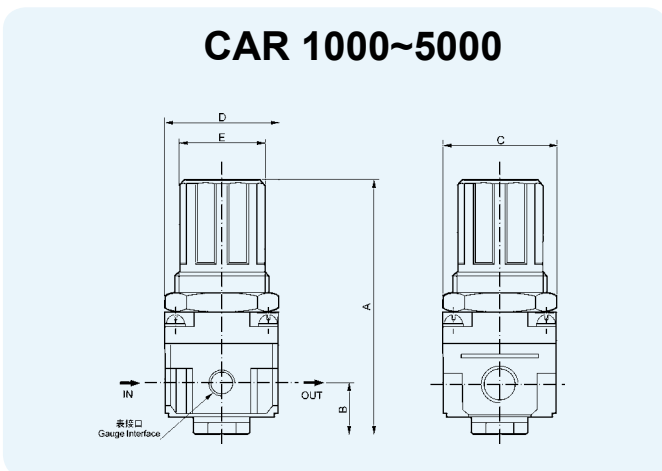
订购码 | Ordering Code

| | | | | |
|--|--|--|---|---|
| CAR | | 4000 | - | 04 |
| 系列代码 CAR系列 Series Code CAR Series | | 规格代号 Specification Code 1000 2000 2500 3000 4000 5000 | | 接管口径 Port Size M5: M5 X 0.8 01: G1/8" 02: G1/4" 03: G3/8" 04: G1/2" 06: G3/4" 10: G1" |

规格 | Specification

| 型号 Model | CAR1000 -M5 | CAR2000 -01 | CAR2000 -02 | CAR2500 -02 | CAR2500 -03 | CAR3000 -02 | CAR3000 -03 | CAR4000 -03 | CAR4000 -04 | CAR4000 -06 | CAR5000 -06 | CAR5000 -10 |
|-------------------------------------|--------------------|----------------|----------------|----------------|----------------|----------------|----------------|----------------|----------------|----------------|----------------|----------------|
| 额定流量 Rated Flow | 100 | 550 | 550 | 2000 | 2000 | 2500 | 2500 | 6000 | 6000 | 6000 | 8000 | 8000 |
| 接管口径 Port Size | M5 | 1/8 | 1/4 | 1/4 | 3/8 | 1/4 | 3/8 | 3/8 | 1/2 | 3/4 | 3/4 | 1 |
| 最高使用压力 Highest Working Pressure | 1.0MPa | | | | | | | | | | | |
| 保证耐压力 Ensured Pressure Resistance | 1.5MPa | | | | | | | | | | | |
| 使用温度范围 Operating Temperature Range | 5~60℃ | | | | | | | | | | | |
| 调节压力范围 Range of Adjustable Pressure | 0.05~0.7MPa | | 0.05~0.85MPa | | | | | | | | | |
| 阀型 Valve Type | 带溢流型 With Overflow | | | | | | | | | | | |

外形尺寸 | Overall Dimension



尺寸表 | Dimension Sheet

| 型号 Model | 口径 Bore | A | B | C | D | E |
|------------|---------|-------|------|----|----|----|
| CAR1000 | M5 | 61.5 | 11 | 25 | 25 | 28 |
| CAR2000 | 1/8~1/4 | 95 | 17 | 40 | 40 | 34 |
| CAR2500 | 1/4~3/8 | 102.5 | 25 | 48 | 53 | 34 |
| CAR3000 | 1/4~3/8 | 127.5 | 35 | 53 | 53 | 40 |
| CAR4000 | 3/8~1/2 | 149.5 | 37.5 | 70 | 70 | 54 |
| CAR4000-06 | 3/4 | 154 | 40.5 | 70 | 75 | 54 |
| CAR5000 | 3/4~1 | 168 | 48 | 90 | 90 | 54 |

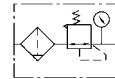
C

CAW1000 ~ 5000系列过滤减压阀

CAW1000~5000 Series Filter & Regulator



图形符号 | Graphic Symbol



订购码 | Ordering Code

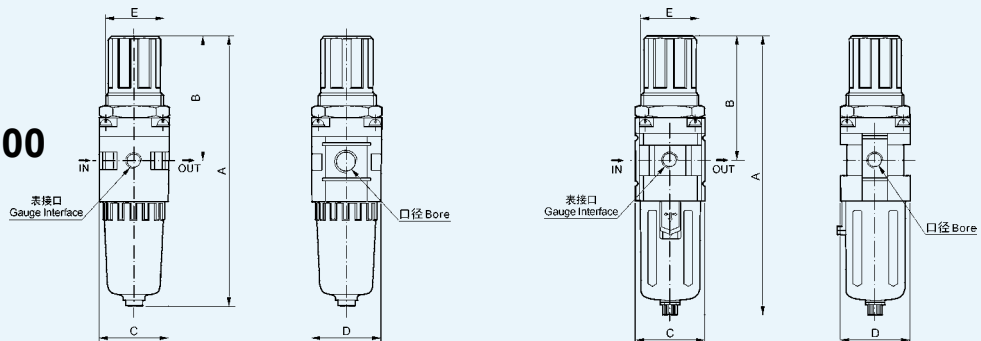
| | | | | |
|---|--|---|---|---|
| CAW | 4000 | - | 04 | D |
| 系列代码 CAW系列 Series Code AW Series | 规格代号 Specification Code 1000 2000 2500 3000 4000 5000 | | 接管口径 Port Size M5: M5 X 0.8 01: G1/8" 02: G1/4" 03: G3/8" 04: G1/2" 06: G3/4" 10: G1" | 排水方式 Drain Type 空白: 差压排水 Blank: Differential Drain D: 自动排水 Automatic Drain |

规格 | Specification

| 型号 Model | CAW1000-M5 | CAW2000-01 | CAW2000-02 | CAW3000-02 | CAW3000-03 | CAW4000-03 | CAW4000-04 | CAW4000-06 | CAW5000-06 | CAW5000-10 |
|-------------------------------------|-------------------------|--------------|------------|------------|------------|---|------------|------------|------------|------------|
| 额定流量 Rated Flow | 100 | 550 | 550 | 2000 | 2000 | 4000 | 4000 | 4500 | 5500 | 5500 |
| 接管口径 Port Size | M5 | 1/8 | 1/4 | 1/4 | 3/8 | 3/8 | 1/2 | 3/4 | 3/4 | 1 |
| 过滤精度 Filter Precision | 25 μm | | | | | | | | | |
| 最高使用压力 Highest Working Pressure | 1.0MPa | | | | | | | | | |
| 保证耐压力 Ensured Pressure Resistance | 1.5MPa | | | | | | | | | |
| 使用温度范围 Operating Temperature Range | 5~60℃ | | | | | | | | | |
| 调节压力范围 Range of Adjustable Pressure | 0.05~0.7MPa | 0.05~0.85MPa | | | | | | | | |
| 容器材料 Container Material | 聚碳酸酯 Polycarbonate | | | | | | | | | |
| 防护罩 Protective Cover | 无 Not Available | | | | | 有 Available | | | | |
| 放水器功能 Drain Function | 差压放水 Differential Drain | | | | | 差压放水、自动放水 Differential Drain, Automatic Drain | | | | |
| 阀型 Valve Type | 带溢流型 With Overflow | | | | | | | | | |

外形尺寸 | Overall Dimension

CAW 1000~5000



尺寸表 | Dimension Sheet

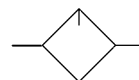
| 型号 Model | 口径 Bore | A | B | C | D | E | 型号 Model | 口径 Bore | A | B | C | D | E |
|----------|---------|-------|------|----|----|----|------------|---------|-----|-----|----|----|----|
| CAW1000 | M5 | 109.5 | 50.5 | 25 | 28 | 28 | CAW4000 | 3/8~1/2 | 262 | 112 | 70 | 70 | 54 |
| CAW2000 | 1/8~1/4 | 164.5 | 78 | 40 | 40 | 34 | CAW4000-06 | 3/4 | 267 | 114 | 70 | 70 | 54 |
| CAW3000 | 1/4~3/8 | 211 | 92.5 | 53 | 53 | 40 | CAW5000 | 3/4~1 | 338 | 116 | 90 | 90 | 54 |

CAL1000 ~ 5000系列油雾器

CAL1000~5000 Series Lubricator



图形符号 | Graphic Symbol



订购码 | Ordering Code

CAL

系列代码
CAL系列
Series Code
CAL Series

4000

规格代号
Specification Code
1000 2000 2500
3000 4000 5000

04

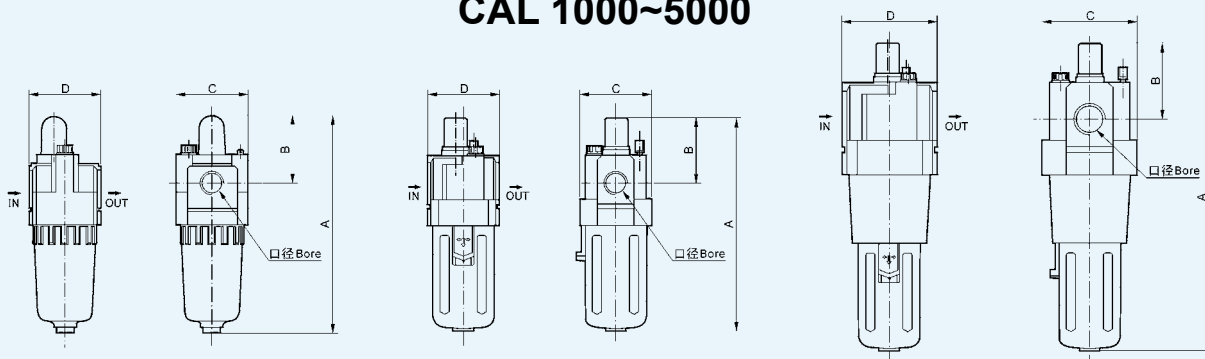
接管口径
Port Size
M5: M5 X 0.8 01: G1/8" 02: G1/4"
03: G3/8" 04: G1/2" 06: G3/4"
10: G1"

规格 | Specification

| 型号 Model | CAL1000-M5 | CAL2000-01 | CAL2000-02 | CAL3000-02 | CAL3000-03 | CAL4000-03 | CAL4000-04 | CAL4000-06 | CAL5000-06 | CAL5000-10 |
|------------------------------------|--------------------|------------|------------|------------|------------|-------------|------------|------------|------------|------------|
| 额定流量 Rated Flow | 95 | 800 | 800 | 1700 | 1700 | 5000 | 5000 | 6300 | 7000 | 7000 |
| 接管口径 Port Size | M5 | 1/8 | 1/4 | 1/4 | 3/8 | 3/8 | 1/2 | 3/4 | 3/4 | 1 |
| 最高使用压力 Highest Working Pressure | 1.0MPa | | | | | | | | | |
| 保证耐压力 Ensured Pressure Resistance | 1.5MPa | | | | | | | | | |
| 使用温度范围 Operating Temperature Range | 5~60°C | | | | | | | | | |
| 建议用油 Recommended Oil Use | ISO VG 32 | | | | | | | | | |
| 容器材料 Container Material | 聚碳酸酯 Polycarbonate | | | | | | | | | |
| 防护罩 Protective Cover | 无 Not Available | | | | | 有 Available | | | | |

外形尺寸 | Overall Dimension

CAL 1000~5000



尺寸表 | Dimension Sheet

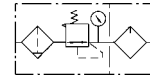
| 型号 Model | 口径 Bore | A | B | C | D | 型号 Model | 口径 Bore | A | B | C | D |
|----------|---------|------|------|----|----|------------|---------|-----|----|----|----|
| CAL1000 | M5 | 81.5 | 25.5 | 25 | - | CAL4000 | 3/8~1/2 | 177 | 41 | 70 | 70 |
| CAL2000 | 1/8~1/4 | 122 | 38 | 40 | 40 | CAL4000-06 | 3/4 | 177 | 39 | 70 | 70 |
| CAL3000 | 1/4~3/8 | 142 | 38 | 53 | 53 | CAL5000 | 3/4~1 | 254 | 45 | 90 | 90 |

AFC、BFC系列二点组合 (二联件)

AFC,BFC Series Two-point Combination (FR.L Combination)



图形符号 | Graphic Symbol



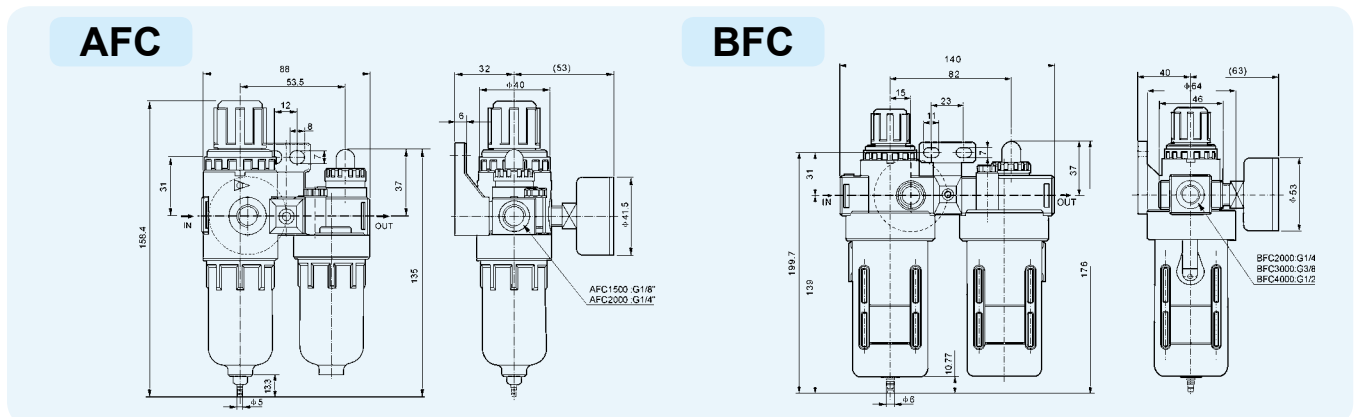
订购码 | Ordering Code

| | | | |
|--|--|----------|--|
| BFC | 2000 | - | D |
| 型号 Model AFC:小型 Small Size BFC:中型 Middle Size | 接管口径 Port Size 1500: G1/8" 2000: G1/4" 3000: G3/8" 4000: G1/2" | | 排水方式 Drain Type 空白: 差压排水 Blank: Differential Drain D: 自动排水 Automatic Drain |

规格 | Specification

| 型号 Model | AFC1500 | AFC2000 | BFC2000 | BFC3000 | BFC4000 | |
|-------------------------------------|---------------------------|--------------------------------------|-----------------------------|---------|---------|---------|
| 使用流体 Operating Fluid | 空气 Air | | | | | |
| 接管口径 Port Size | G1/8" | G1/4" | G1/4" | G3/8" | G1/2" | |
| 滤心粗度 Filtering Element Roughness | 40 μ | | | | | |
| 调节压力范围 Range of Adjustable Pressure | 0.05~0.85MPa | | | | | |
| 最大可调压力 Max. Adjustable Pressure | 0.95MPa | | | | | |
| 保证耐压力 Ensured Pressure Resistance | 1.5MPa | | | | | |
| 使用温度范围 Operating Temperature Range | 5~60℃ | | | | | |
| 滤水杯容量 Capacity of Filter Cup | 15 cc | | 60 cc | | | |
| 给油杯容量 Capacity of Oil Feed Cup | 25 cc | | 90 cc | | | |
| 建议润滑油 Suggested Lube | ISO VG 32 或 同级用油 | | ISO VG 32 or Same Grade Oil | | | |
| 重量 Weight | 0.5 KG | | 0.7 KG | | | |
| 材质 Material | 本体 Body | 铝合金压铸成型 Aluminum Die-casting Forming | | | | |
| | 容杯 Container Cup | PE | | | | |
| | 保护杯罩 Protective Cup Cover | - | | 铁 Iron | | |
| 构成元件 Composing Elements | 过滤调压阀 Filter & Regulator | AFR1500 | AFR2000 | BFR2000 | BFR3000 | BFR4000 |
| | 油雾器 Lubricator | AL1500 | AL2000 | BL2000 | BL3000 | BL4000 |

外形尺寸 | Overall Dimension

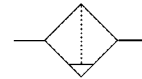


AF、BF系列过滤器

AF, BF Series Filter



图形符号 | Graphic Symbol



订购码 | Ordering Code

BF

型号 Model
AF: 小型 Small Size
BF: 中型 Middle Size

3000

接管口径
Port Size
1500: G1/8"
3000: G3/8"

-

2000: G1/4"
4000: G1/2"

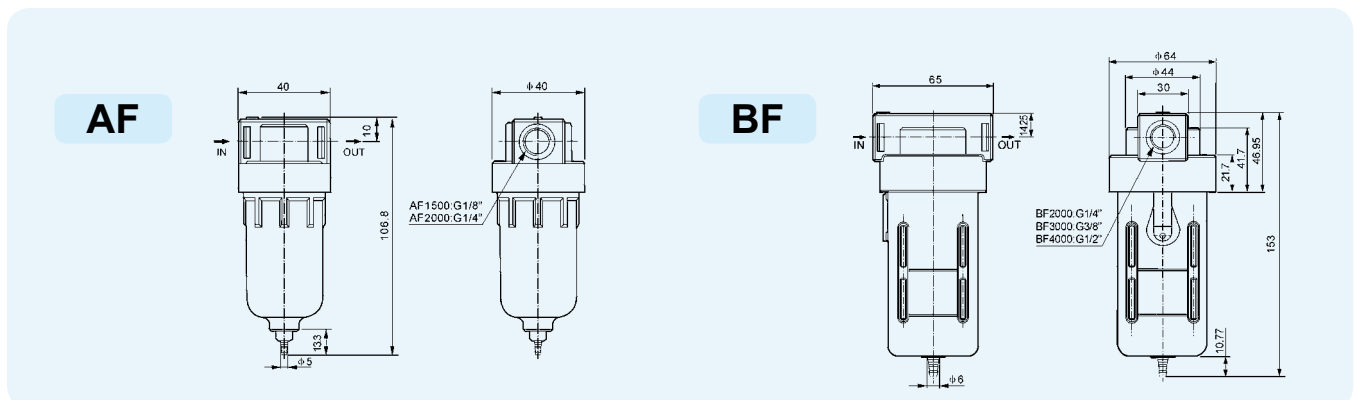
D

排水方式
Drain Type
空白: 差压排水 Blank: Differential Drain
D: 自动排水 Automatic Drain

规格 | Specification

| 型号 Model | AF1500 | AF2000 | BF2000 | BF3000 | BF4000 |
|------------------------------------|---------------------------|--------------------------------------|--------|--------|--------|
| 使用流体 Operating Fluid | 空气 Air | | | | |
| 接管口径 Port Size | G1/8" | G1/4" | G1/4" | G3/8" | G1/2" |
| 滤心粗度 Filtering Element Roughness | 40 μ | | | | |
| 保证耐压力 Ensured Pressure Resistance | 1.5MPa | | | | |
| 使用温度范围 Operating Temperature Range | 5~60℃ | | | | |
| 滤水杯容量 Capacity of Filter Cup | 15 cc | | 60 cc | | |
| 重量 Weight | 0.14KG | | 0.33KG | | |
| 材质 Material | 本体 Body | 铝合金压铸成型 Aluminum Die-casting Forming | | | |
| | 容杯 Container Cup | PE | | | |
| | 保护杯罩 Protective Cup Cover | - | | 铁 Iron | |

外形尺寸 | Overall Dimension



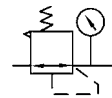
C

AR、BR系列调压阀

AR, BR Series Regulator



图形符号 | Graphic Symbol



订购码 | Ordering Code

BR

型号 **Model**
AR:小型 Small Size
BR:中型 Middle Size

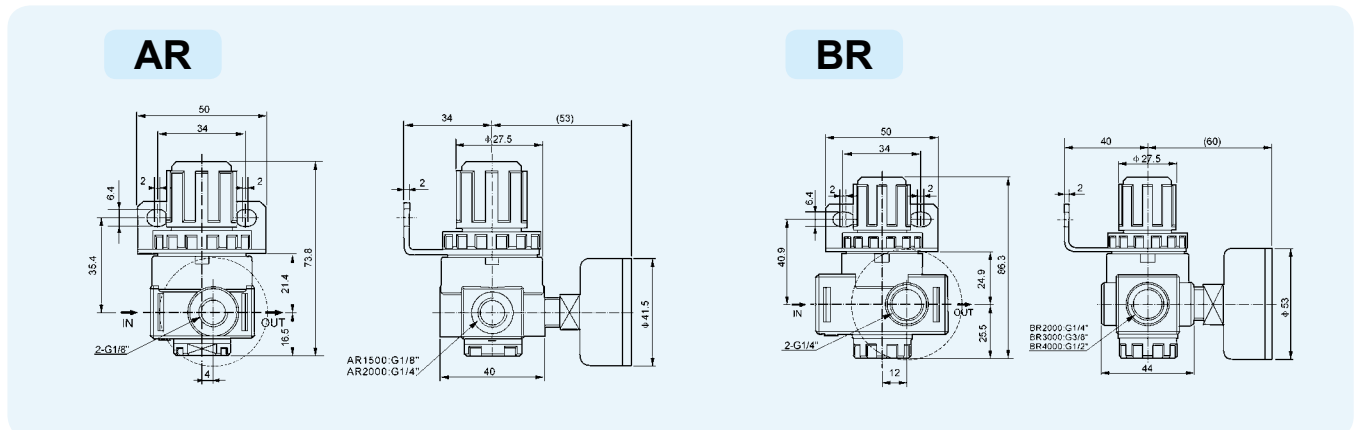
3000

接管口径
Port Size
1500: G1/8" 2000: G1/4"
3000: G3/8" 4000: G1/2"

规格 | Specification

| 型号 Model | AR1500 | AR2000 | BR2000 | BR3000 | BR4000 |
|-------------------------------------|--------------------------------------|--------|--------|--------|--------|
| 使用流体 Operating Fluid | 空气 Air | | | | |
| 接管口径 Port Size | G1/8" | G1/4" | G1/4" | G3/8" | G1/2" |
| 调节压力范围 Range of Adjustable Pressure | 0.05~0.85MPa | | | | |
| 最大可调压力 Max. Adjustable Pressure | 0.95MPa | | | | |
| 保证耐压力 Ensured Pressure Resistance | 1.5MPa | | | | |
| 使用温度范围 Operating Temperature Range | 5~60℃ | | | | |
| 重量 Weight | 0.20KG | | 0.23KG | | |
| 本体材质 Material of Body | 铝合金压铸成型 Aluminum Die-casting Forming | | | | |

外形尺寸 | Overall Dimension

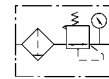


AFR、BFR系列过滤调压阀

AFR, BFR Series Filter & Regulator



图形符号 | Graphic Symbol



订购码 | Ordering Code

BFR

型号 Model
AFR: 小型 Small Size
BFR: 中型 Middle Size

3000

接管口径 Port Size
1500: G1/8" 2000: G1/4"
3000: G3/8" 4000: G1/2"

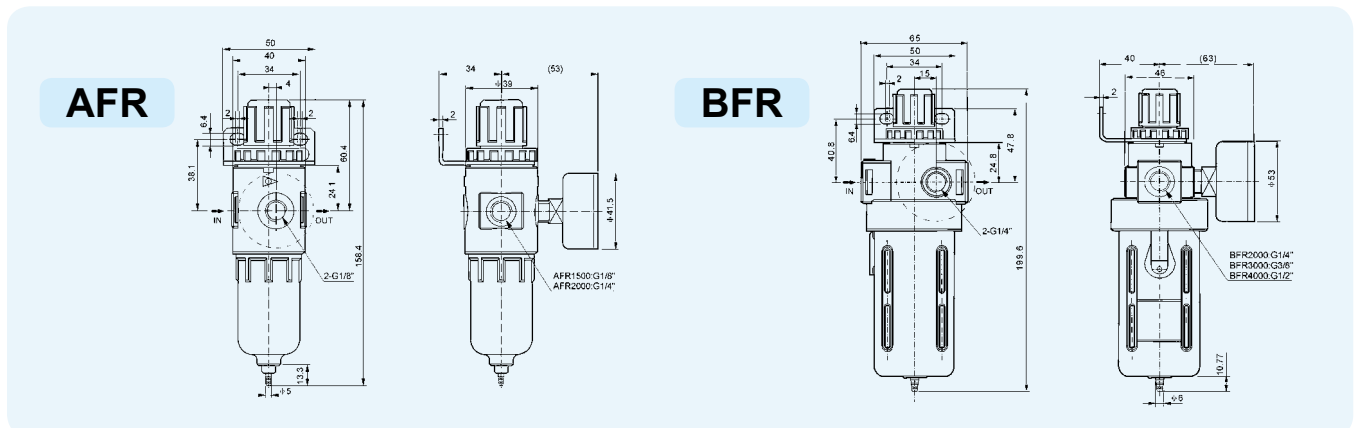
D

排水方式 Drain Type
空白: 差压排水 Blank: Differential Drain
D: 自动排水 Automatic Drain

规格 | Specification

| 型号 Model | AFR1500 | AFR2000 | BFR2000 | BFR3000 | BFR4000 |
|-------------------------------------|---------------------------|--------------------------------------|---------|---------|---------|
| 使用流体 Operating Fluid | 空气 Air | | | | |
| 接管口径 Port Size | G1/8" | G1/4" | G1/4" | G3/8" | G1/2" |
| 调节压力范围 Range of Adjustable Pressure | 0.05~0.85MPa | | | | |
| 最大可调压力 Max. Adjustable Pressure | 0.95MPa | | | | |
| 保证耐压力 Ensured Pressure Resistance | 1.5MPa | | | | |
| 使用温度范围 Operating Temperature Range | 5~60℃ | | | | |
| 滤水杯容量 Capacity of Filter Cup | 15 cc | | 60 cc | | |
| 重量 Weight | 0.26KG | | 0.40KG | | |
| 材质 Material | 本体 Body | 铝合金压铸成型 Aluminum Die-casting Forming | | | |
| | 容杯 Container Cup | PE | | | |
| | 保护杯罩 Protective Cup Cover | — | | 铁 Iron | |

外形尺寸 | Overall Dimension



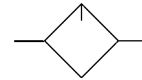
C

AL、BL系列油雾器

AL, BL Series Lubricator



图形符号 | Graphic Symbol



订购码 | Ordering Code

BL

3000

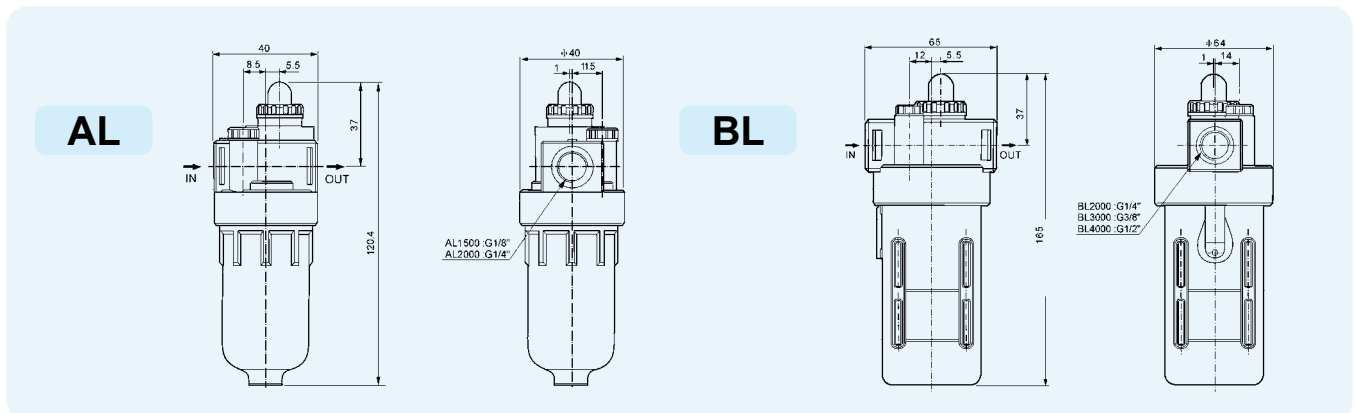
型号 **Model**
AL:小型 Small Size
BL:中型 Middle Size

接管口径
Port Size
1500: G1/8" 2000: G1/4"
3000: G3/8" 4000: G1/2"

规格 | Specification

| 型号 Model | AL1500 | AL2000 | BL2000 | BL3000 | BL4000 |
|------------------------------------|--|--------------------------------------|--------|--------|--------|
| 使用流体 Operating Fluid | 空气 Air | | | | |
| 接管口径 Port Size | G1/8" | G1/4" | G1/4" | G3/8" | G1/2" |
| 保证耐压力 Ensured Pressure Resistance | 1.5MPa | | | | |
| 使用温度范围 Operating Temperature Range | 5~60℃ | | | | |
| 建议润滑油 Suggested Lube | ISO VG 32 或 同级用油 ISO VG 32 or Same Grade Oil | | | | |
| 滤水杯容量 Capacity of Filter Cup | 25 cc | | 90 cc | | |
| 重量 Weight | 0.17KG | | 0.25KG | | |
| 材质 Material | 本体 Body | 铝合金压铸成型 Aluminum Die-casting Forming | | | |
| | 容杯 Container Cup | PE | | | |
| | 保护杯罩 Protective Cup Cover | — | | | 铁 Iron |

外形尺寸 | Overall Dimension



P1H / PTH系列过滤器/调压阀和润滑器

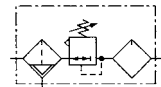
P1H / PTH Series Filter / Regulator and Lubricator 1/8 " and 1/4 " Port Sizes



订购码 | Ordering Code

| | | | | | | |
|--|---|---|---|---|---|--|
| PTH | - | 02 | - | B | - | G |
| 系列代号 Series Code P1H: 过滤器/调压阀 润滑器/Filter / Regulator and Lubricator | | 接管口径 Port Size 01: 1/8" 02: 1/4" | | 螺纹 B: ISO Rc 锥螺纹 G: ISO G 直螺纹 Thread B: ISO Rc taper G: ISO G parallel | | 油表 G: 有 N: 无 Gauge G: With N: Without |

图形符号 | Graphic Symbol



规格 | Specification

| | |
|-------------------------------|-------------------------------|
| 介质 Medium | 压缩空气 Compressed Air |
| 进口压力 Inlet Pressure Condition | 0~10 bar |
| 环境温度 Temperature | 透明杯 Transparent Bowl: -20~50℃ |
| 本体材质 Body Material | 锌合金 Zinc Alloy |

R07系列管式调压阀

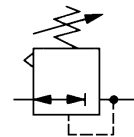
R07 Series General Purpose Regulator 1/8 " and 1/4 " Port Sizes



订购码 | Ordering Code

| | | | | | | |
|---------------------|---|---|---|---|---|--|
| R07 | - | 02 | - | B | - | G |
| 系列代号 Series Code | | 接管口径 Port Size 01: 1/8" 02: 1/4" | | 螺纹 B: ISO Rc 锥螺纹 G: ISO G 直螺纹 Thread B: ISO Rc taper G: ISO G parallel | | 油表 G: 有 N: 无 Gauge G: With N: Without |

图形符号 | Graphic Symbol



规格 | Specification

| | |
|-------------------------------|---------------------|
| 介质 Medium | 压缩空气 Compressed Air |
| 进口压力 Inlet Pressure Condition | 0~10bar |
| 压力表接口 Pressure Gauge Bore | Rc1/8 |
| 工作环境温度 Temperature Condition | -20~50℃ |
| 本体材质 Body Material | 锌合金 Zinc Alloy |

B07系列管式过滤器-调压阀

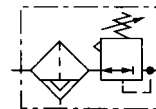
B07 Series Tubular Type Filter-Regulator 1/8 " and 1/4 " Port Sizes



订购码| Ordering Code

| | | | | | | |
|---------------------|---|---|---|---|---|--|
| B07 | - | 02 | - | B | - | G |
| 系列代号 Series Code | | 接管口径 Port Size 01: 1/8" 02: 1/4" | | 螺纹 B: ISO Rc 锥螺纹 G: ISO G 直螺纹 Thread B: ISO Rc taper G: ISO G parallel | | 油表 G: 有 N: 无 Gauge G: With N: Without |

图形符号| Graphic Symbol



规格| Specification

| | |
|-------------------------------|--------------------------------|
| 介质 Medium | 压缩空气 Compressed Air |
| 进口压力 Inlet Pressure Condition | 0~10bar (透明杯/Transparent Bowl) |
| 压力表接口 Pressure Gauge Bore | Rc1/8 |
| 工作环境温度 Temperature Condition | 透明杯/Transparent Bowl: -20~50℃ |
| 本体材质 Body Material | 锌合金 Zinc Alloy |

L07微型系列润滑器

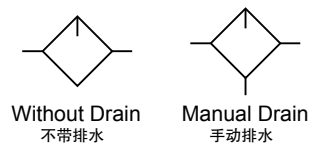
L07 Series Lubricator 1/8 " and 1/4 " Port Sizes



订购码| Ordering Code

| | | | | |
|---------------------|---|---|---|---|
| L07 | - | 02 | - | G |
| 系列代号 Series Code | | 接管口径 Port Size 01: 1/8" 02: 1/4" | | 螺纹 B: ISO Rc 锥螺纹 G: ISO G 直螺纹 Thread B: ISO Rc taper G: ISO G parallel |

图形符号| Graphic Symbol



规格| Specification

| | |
|-------------------------------|--------------------------------|
| 介质 Medium | 压缩空气 Compressed Air |
| 进口压力 Inlet Pressure Condition | 透明杯 Transparent Bowl : 6.3 bar |
| 工作环境温度 Temperature Condition | -20℃~50℃ |
| 本体材质 Body Material | 锌合金 Zinc Alloy |

R72系列调压阀

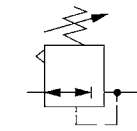
R72 Series Regulator (G1/4 to G3/8)



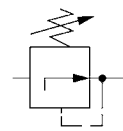
订购码 | Ordering Code

| | | | | | | |
|---------------------|---|---|---|---|---|--|
| R72 | - | 02 | - | B | - | G |
| 系列代号 Series Code | | 接管口径 Port Size 02: 1/4" 03: 3/8" | | 螺纹 B: ISO Rc 锥螺纹 G: ISO G 直螺纹 Thread B: ISO Rc taper G: ISO G parallel | | 油表 G: 有 N: 无 Gauge G: With N: Without |

图形符号 | Graphic Symbol



溢流 Relieving



非溢流 Non Relieving

规格 | Specification

| | |
|------------------------------|---------------------|
| 介质 Medium | 压缩空气 Compressed Air |
| 最大压力 Max. Pressure Condition | 20bar |
| 压力表接口 Pressure Gauge Bore | Rc1/8 |
| 工作环境温度 Temperature Condition | -20~65°C |
| 本体材质 Body Material | 锌合金 Zinc Alloy |

B72系列过滤调压阀

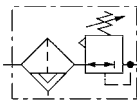
B72 Series Filter / Regulator (G1/4 to G3/8)



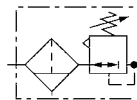
订购码 | Ordering Code

| | | | | | | | | |
|---------------------|---|---|---|---|---|--|---|--|
| B72 | - | 02 | - | B | - | G | - | A |
| 系列代号 Series Code | | 接管口径 Port Size 02: 1/4" 03: 3/8" | | 螺纹 B: ISO Rc 锥螺纹 G: ISO G 直螺纹 Thread B: ISO Rc taper G: ISO G parallel | | 油表 G: 有 N: 无 Gauge G: With N: Without | | 排水 自动排水 Drain Auto Drain (72 only) |

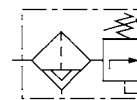
图形符号 | Graphic Symbol



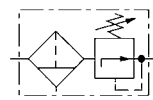
自动和半自动排水溢流
Auto & Semi-Auto
Relieving



手动排水溢流
Manual Relieving



自动和半自动排水非溢流
Auto & Semi-Auto
Non-Relieving



手动排水非溢流
Manual Non-Relieving

规格 | Specification

| | |
|------------------------------|---------------------------------|
| 介质 Medium | 压缩空气 Compressed Air |
| 最大压力 Max. Pressure Condition | 透明杯/Transparent Bowl : 10 bar |
| 压力表接口 Pressure Gauge Bore | Rc1/8 |
| 工作环境温度 Temperature Condition | 透明杯/Transparent Bowl : -20~50°C |
| 本体材质 Body Material | 锌合金 Zinc Alloy |

L72系列油雾器

L72 Series Lubricator (G1/4 to G3/8)



订购码 | Ordering Code

| | | | | | | | | |
|---------------------|---|---|---|---|---|---|---|--|
| L72 | - | 02 | - | G | - | S | - | N |
| 系列代号 Series Code | | 接管口径 Port Size 02: 1/4" 03: 3/8" | | 螺纹 Thread B: ISO Rc 锥螺纹 G: ISO G 直螺纹 B: ISO Rc taper G: ISO G parallel | | 排水 Drain Q: 1/4 排水 S: 半自动排水 A: 自动排水 Q: 1/4 Manual S: Semi-Auto A: Auto Drain | | 油表 Gauge G: 有 N: 无 G: With N: Without |

图形符号 | Graphic Symbol



规格 | Specification

| | |
|------------------------------|--------------------------------|
| 介质 Medium | 压缩空气 Compressed Air |
| 最大压力 Max. Pressure Condition | 透明杯/Transparent Bowl : 10 bar |
| 压力表接口 Pressure Gauge Bore | Rc1/8 |
| 工作环境温度 Temperature Condition | 透明杯/Transparent Bowl : -20~50℃ |
| 本体材质 Body Material | 锌合金 Zinc Alloy |

BL72系列组合件-过滤器/调压阀和润滑器

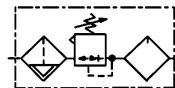
BL72 Series Combination Units Filter / Regulator and Lubricators (G1/4 to G3/8)



订购码 | Ordering Code

| | | | | | | | | |
|---------------------|---|---|---|---|---|--|---|--|
| BL72 | - | 02 | - | B | - | G | - | A |
| 系列代号 Series Code | | 接管口径 Port Size 02: 1/4" 03: 3/8" | | 螺纹 Thread B: ISO Rc 锥螺纹 G: ISO G 直螺纹 B: ISO Rc taper G: ISO G parallel | | 油表 Gauge G: 有 N: 无 G: With N: Without | | 排水 自动排水 Drain Auto Drain (72 only) |

图形符号 | Graphic Symbol



规格 | Specification

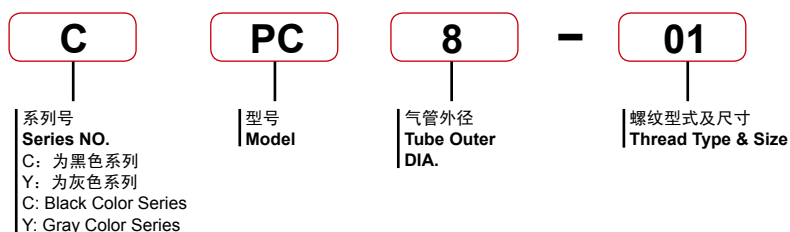
| | |
|------------------------------|-------------------------------|
| 介质 Medium | 压缩空气 Compressed Air |
| 最大压力 Max. Pressure Condition | 10 bar |
| 压力表接口 Pressure Gauge Bore | Rc1/8 |
| 工作环境温度 Temperature Condition | 透明杯/Transparent Bowl: -20~50℃ |
| 本体材质 Body Material | 锌合金 Zinc Alloy |

快速接头 Tube Fitting

特点 | Features

- 快速安装，简单灵巧，节省空间；
Fast installation, easy and skillful, saving space;
- 型式多样，满足任何气动布管需要；
Diversified types may satisfy the need of any pneumatic pipe arrangement;
- 即使安装以后，塑料管体也可任意转向；
Even after installation, the plastic tube can be freely turned;
- 释放环采用椭圆型设计，拆卸更加省力方便；
The release ring adopts ellipse design, which makes disassembly more easy;
- 所有锥管螺纹预涂聚四氟乙烯防漏胶，密封性能好；
All conical tube threads are pre-coated with teflon leak proof glue, which secures good sealing performance;
- 除Φ16管径外所有CPC、YPC型直通接头均带内六角孔，便于狭窄处安装。
Excluding Φ16 pipes, all CPC and YPC straight joints have hexagonal socket, which is convenient for installation at narrow places.

订购码 | Ordering Code



规格 | Specification

| | |
|---------------------------------------|---------------------------------------|
| 使用流体 Fluid Type | 空气，真空 / Air, Vacuum |
| 使用压力范围 Operating Pressure | 0~10.2kgf/cm ² (0~1.0 MPa) |
| 负压 Negative Pressure | -750mmHg (10Torr) |
| 耐压 Max. Pressure | 15.3kgf/cm ² (1.5MPa) |
| 使用环境及流体温度 Operating Temperature Range | 0~60℃ |
| 适用软管 Tube Material | 尼龙及PU / Nylon and Polyurethane |

气管外径 Tube Outer DIA.

| | 公制/Metric Size | | | | | | 英制 / Inch Size | | | | | |
|---------|----------------|----|----|-----|-----|-----|----------------|-------|------|-------|------|------|
| 型号 Code | 4 | 6 | 8 | 10 | 12 | 16 | 5/32 | 3/16 | 1/4 | 5/16 | 3/8 | 1/2 |
| 外径 Dia. | Φ4 | Φ6 | Φ8 | Φ10 | Φ12 | Φ16 | Φ5/32 | Φ3/16 | Φ1/4 | Φ5/16 | Φ3/8 | Φ1/2 |

螺纹型式及尺寸 Thread Type & Size

| | 公制/Metric Size | | | | | | | | | |
|---------|----------------|------|------|-------|----------|---------|---------|---------|---------|--|
| 型号 Code | M5 | M6 | M8 | M10 | M12 | M12A | M14 | M16 | M20 | |
| 尺寸 Size | M5×0.8 | M6×1 | M8×1 | M10×1 | M12×1.25 | M12×1.5 | M14×1.5 | M16×1.5 | M20×1.5 | |

| | 55°锥管螺纹 / Taper Pipe Thread(PT) | | | | |
|---------|---------------------------------|------|------|------|------|
| 型号 Code | 01 | 02 | 03 | 04 | 06 |
| 尺寸 Size | R1/8 | R1/4 | R3/8 | R1/2 | R3/4 |

| | 直管螺纹 / G-Thread | | | | |
|---------|-----------------|------|------|------|------|
| 型号 Code | G01 | G02 | G03 | G04 | G06 |
| 尺寸 Size | G1/8 | G1/4 | G3/8 | G1/2 | G3/4 |

| | 统一细牙螺纹 / UNF | 美制60° 锥管螺纹 / American Standard Taper Pipe Thread(NPT) | | | | |
|---------|--------------|---|--------|--------|--------|--------|
| 型号 Code | U10 | N01 | N02 | N03 | N04 | N06 |
| 尺寸 Size | 10-32UNF | NPT1/8 | NPT1/4 | NPT3/8 | NPT1/2 | NPT3/4 |

快速接头

Tube Fitting

CPC / YPC 螺纹直通 Threaded Direct Way Pipe



| | |
|---------|----------|
| 型号 | CPC8-04 |
| CPC4-M5 | CPC10-01 |
| CPC4-01 | CPC10-02 |
| CPC4-02 | CPC10-03 |
| CPC6-M5 | CPC10-04 |
| CPC6-01 | CPC12-02 |
| CPC6-02 | CPC12-03 |
| CPC6-03 | CPC12-04 |
| CPC6-04 | CPC16-03 |
| CPC8-01 | CPC16-04 |
| CPC8-02 | |
| CPC8-03 | |

CPE / YPE T型三通 Three-Way Pipe



| | |
|----|--------|
| 型号 | CPE 4 |
| | CPE 6 |
| | CPE 8 |
| | CPE 10 |
| | CPE 12 |
| | CPE 16 |

CPL / YPL L型螺纹二通 Threaded Two-Way Pipe



| | |
|---------|----------|
| 型号 | CPL8-04 |
| CPL4-M5 | CPL10-01 |
| CPL4-01 | CPL10-02 |
| CPL4-02 | CPL10-03 |
| CPL6-M5 | CPL10-04 |
| CPL6-01 | CPL12-02 |
| CPL6-02 | CPL12-03 |
| CPL6-03 | CPL12-04 |
| CPL6-04 | CPL16-03 |
| CPL8-01 | CPL16-04 |
| CPL8-02 | |
| CPL8-03 | |

CPLL / YPLL T型加长螺纹二通 Lengthen Threaded Two-Way Pipe



| | |
|----------|-----------|
| 型号 | CPLL8-04 |
| CPLL4-M5 | CPLL10-01 |
| CPLL4-01 | CPLL10-02 |
| CPLL4-02 | CPLL10-03 |
| CPLL6-M5 | CPLL10-04 |
| CPLL6-01 | CPLL12-02 |
| CPLL6-02 | CPLL12-03 |
| CPLL6-03 | CPLL12-04 |
| CPLL6-04 | CPLL16-03 |
| CPLL8-01 | CPLL16-04 |
| CPLL8-02 | |
| CPLL8-03 | |

CPB/YPB T型螺纹三通 Threaded Three-Way Pipe



| | |
|---------|----------|
| 型号 | CPB8-04 |
| CPB4-M5 | CPB10-01 |
| CPB4-01 | CPB10-02 |
| CPB4-02 | CPB10-03 |
| CPB6-M5 | CPB10-04 |
| CPB6-01 | CPB12-02 |
| CPB6-02 | CPB12-03 |
| CPB6-03 | CPB12-04 |
| CPB6-04 | CPB16-03 |
| CPB8-01 | CPB16-04 |
| CPB8-02 | |
| CPB8-03 | |

CPD / YPD T型分支螺纹三通 Ramus Threaded Three-Way Pipe



| | |
|---------|----------|
| 型号 | CPD8-04 |
| CPD4-M5 | CPD10-01 |
| CPD4-01 | CPD10-02 |
| CPD4-02 | CPD10-03 |
| CPD6-M5 | CPD10-04 |
| CPD6-01 | CPD12-02 |
| CPD6-02 | CPD12-03 |
| CPD6-03 | CPD12-04 |
| CPD6-04 | CPD16-03 |
| CPD8-01 | CPD16-04 |
| CPD8-02 | |
| CPD8-03 | |

CPY / YPY Y型三通 Three-Way Pipe



| | |
|----|--------|
| 型号 | CPY 4 |
| | CPY 6 |
| | CPY 8 |
| | CPY 10 |
| | CPY 12 |

CPV / YPV L型二通 Two-Way Pipe



| | |
|----|--------|
| 型号 | CPV 4 |
| | CPV 6 |
| | CPV 8 |
| | CPV 10 |
| | CPV 12 |
| | CPV 16 |

CPP / YPP 管塞 Pipe Seal



| | |
|----|--------|
| 型号 | CPP 4 |
| | CPP 6 |
| | CPP 8 |
| | CPP 10 |
| | CPP 12 |

CPU / YPU 直通 Direct Way



| | |
|----|--------|
| 型号 | CPU 4 |
| | CPU 6 |
| | CPU 8 |
| | CPU 10 |
| | CPU 12 |

快速接头

Tube Fitting

CPM / YPM隔板直通 Clapboard Direct Way Pipe



型号
CPM 4
CPM 6
CPM 8
CPM 10
CPM 12

CPZA / YPZA 十字四通 Cross Four-Way Pipe



型号
CPZA 4
CPZA 6
CPZA 8
CPZA 10
CPZA 12

CPKG / YPKG减径五通 Reduced Five-Way Pipe



型号
CPKG 6-4
CPKG 8-4
CPKG 8-6
CPKG 10-6
CPKG 10-8

CPX / YPX Y型螺纹三通 Threaded Three-Way Pipe



型号
CPX 4-M5 CPX 8-03
CPX 4-01 CPX 8-04
CPX 4-02 CPX 10-01
CPX 6-M5 CPX 10-02
CPX 6-01 CPX 10-03
CPX 6-02 CPX 10-04
CPX 6-03 CPX 12-02
CPX 6-04 CPX 12-03
CPX 8-01 CPX 12-04
CPX 8-02

CPK / YPK五通 Five-Way Pipe



型号
CPK 4
CPK 6
CPK 8

CPH / YPH 外六角接头 Out Hexangular Pipe



型号
CPH4-M5 CPH8-03
CPH4-01 CPH8-04
CPH4-02 CPH10-01
CPH6-M5 CPH10-02
CPH6-01 CPH10-03
CPH6-02 CPH10-04
CPH6-03 CPH12-02
CPH6-04 CPH12-03
CPH8-01 CPH12-04
CPH8-02

CPKD / YPKD减径螺纹五通 Reduced Threaded Five-Way Pipe



型号
CPKD 6-4-01
CPKD 8-4-02
CPKD 8-6-02
CPKD 10-8-03

CPHF / YPHF 串联接头 In Series Pipe



型号
CPHF4-M5 CPHF8-03
CPHF4-01 CPHF8-04
CPHF4-02 CPHF10-01
CPHF6-M5 CPHF10-02
CPHF6-01 CPHF10-03
CPHF6-02 CPHF10-04
CPHF6-03 CPHF12-02
CPHF6-04 CPHF12-03
CPHF8-01 CPHF12-04
CPHF8-02

CPKB / YPKB 螺纹五通 Threaded Five-Way Pipe



型号
CPKB 4-01
CPKB 4-02
CPKB 6-01
CPKB 6-02
CPKB 6-03
CPKB 8-01
CPKB 8-02
CPKB 8-03

CPW / YPW Y型减径三通 Reduced Three-Way Pipe



型号
CPW 6-4
CPW 8-6
CPW 10-8
CPW 12-10

快速接头 Tube Fitting

CPLF / YPLF L型内螺纹二通 Inner Threaded Two-way Pipe



- 型号
- | | |
|----------|-----------|
| CPLF4-M5 | CPLF8-04 |
| CPLF4-01 | CPLF10-01 |
| CPLF4-02 | CPLF10-02 |
| CPLF6-M5 | CPLF10-03 |
| CPLF6-01 | CPLF10-04 |
| CPLF6-02 | CPLF12-02 |
| CPLF6-03 | CPLF12-03 |
| CPLF6-04 | CPLF12-04 |
| CPLF8-01 | CPLF16-03 |
| CPLF8-02 | CPLF16-04 |
| CPLF8-03 | |

CPGJ / YPGJ 减径直通插头 Reduced Direct Way Pipe



- 型号
- | |
|------------|
| CPGJ 6-4 |
| CPGJ 8-4 |
| CPGJ 8-6 |
| CPGJ 10-6 |
| CPGJ 10-8 |
| CPGJ 12-6 |
| CPGJ 12-8 |
| CPGJ 12-10 |

CPEG / YPEG T型减径三通 Reduced Three-Way Pipe



- 型号
- | |
|------------|
| CPEG 6-4 |
| CPEG 8-6 |
| CPEG 10-8 |
| CPEG 12-10 |
| CPEG 16-12 |

CPCF / YPCF 内螺纹直通 Inner Threaded Direct Way Pipe



- 型号
- | | |
|----------|-----------|
| CPCF4-M5 | CPCF8-04 |
| CPCF4-01 | CPCF10-01 |
| CPCF4-02 | CPCF10-02 |
| CPCF6-M5 | CPCF10-03 |
| CPCF6-01 | CPCF10-04 |
| CPCF6-02 | CPCF12-02 |
| CPCF6-03 | CPCF12-03 |
| CPCF6-04 | CPCF12-04 |
| CPCF8-01 | CPCF16-03 |
| CPCF8-02 | CPCF16-04 |
| CPCF8-03 | |

CPEW / YPEW T型减径三通 Reduced Three-Way Pipe



- 型号
- | |
|------------|
| CPEW 6-4 |
| CPEW 8-6 |
| CPEW 10-8 |
| CPEW 12-10 |
| CPEW 16-12 |

CSA / YSA管道型 Piping Pipe



- 型号
- | |
|---------|
| CSA -4 |
| CSA -6 |
| CSA -8 |
| CSA -10 |
| CSA -12 |

CPG / YPG 减径直通 Reduced Direct Way Pipe



- 型号
- | |
|-----------|
| CPG 6-4 |
| CPG 8-6 |
| CPG 10-8 |
| CPG 12-10 |

CSL / YSL直接安装L型 Direct Installation L Type



- 型号
- 限出型、(B)为限入型
- | | |
|------------|-------------|
| CSL4-M5(B) | CSL8-03(B) |
| CSL4-01(B) | CSL8-04(B) |
| CSL4-02(B) | CSL10-01(B) |
| CSL6-M5(B) | CSL10-02(B) |
| CSL6-01(B) | CSL10-03(B) |
| CSL6-02(B) | CSL10-04(B) |
| CSL6-03(B) | CSL12-02(B) |
| CSL6-04(B) | CSL12-03(B) |
| CSL8-01(B) | CSL12-04(B) |
| CSL8-02(B) | |

金属快速接头

Metal Tube Fitting



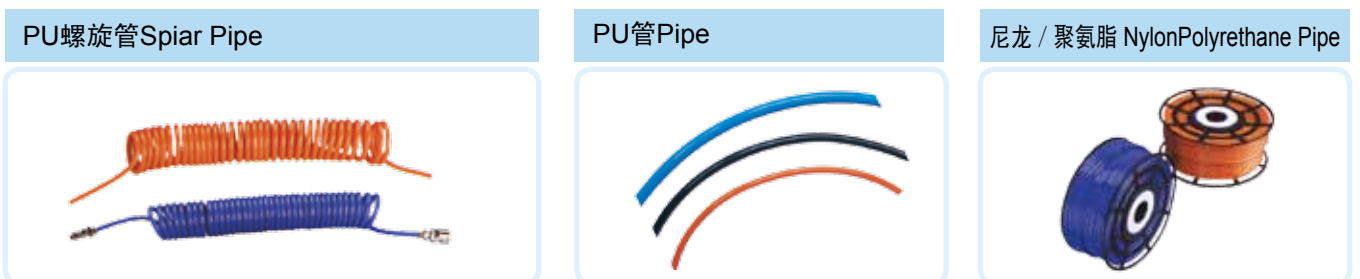
消声器

Silencer



PU管/尼龙

PU Tubing/Nylon



| 代码 Code | EUC82 | EUC84 | EUC86 | EUC88 | EUC102 | EUC104 | EUC106 | EUC108 |
|----------------------|-------|-------|-------|-------|--------|--------|--------|--------|
| 外径 External Diameter | 8 | 8 | 8 | 8 | 10 | 10 | 10 | 10 |
| 长度 Length | 2 | 4 | 6 | 8 | 2 | 4 | 6 | 8 |

| 代码 Code | 0320 | 0425 | 0640 | 0850 | 0860 | 1065 | 1070 | 1280 | 1290 | 1611 | 1613 |
|------------------|------|------|------|------|------|-------|-------|-------|-------|-------|-------|
| 外径 External Dia. | Φ3.0 | Φ4.0 | Φ6.0 | Φ8.0 | Φ8.0 | Φ10.0 | Φ10.0 | Φ12.0 | Φ12.0 | Φ16.0 | Φ16.0 |
| 内径 Inter Dia. | Φ2.0 | Φ2.5 | Φ4.0 | Φ5.0 | Φ6.0 | Φ6.5 | Φ7.0 | Φ8.0 | Φ9.0 | Φ11.0 | Φ13.0 |